

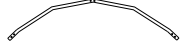





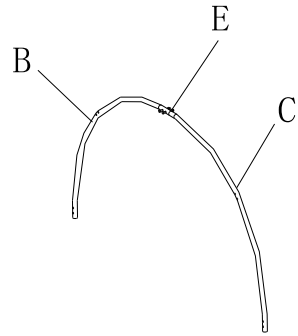
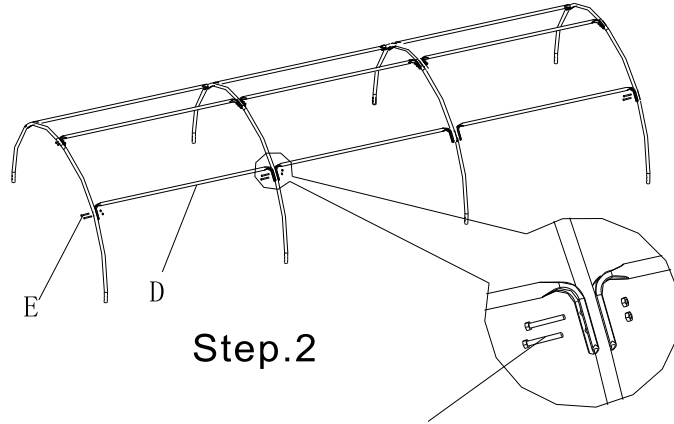


JXX13008-2-22

PART CODE		QTY
A		8 X
B		4 X
C		4 X
D		15 X
E		20 X
F		20 X
G		1 X
K		4 X

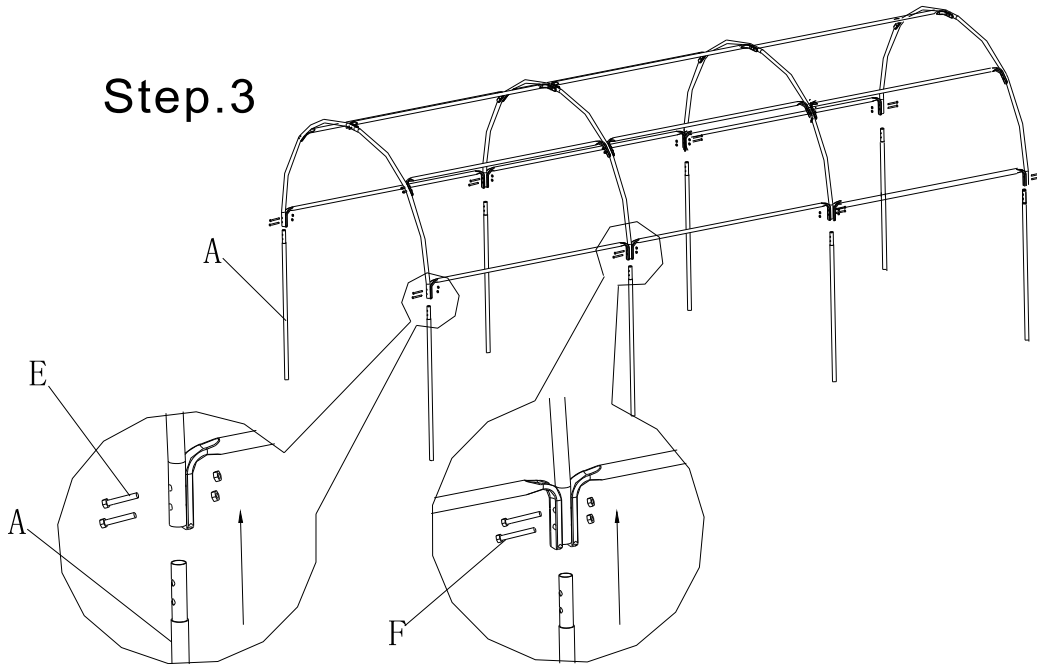


Step.1



Step.2

Step.3



Step.4

