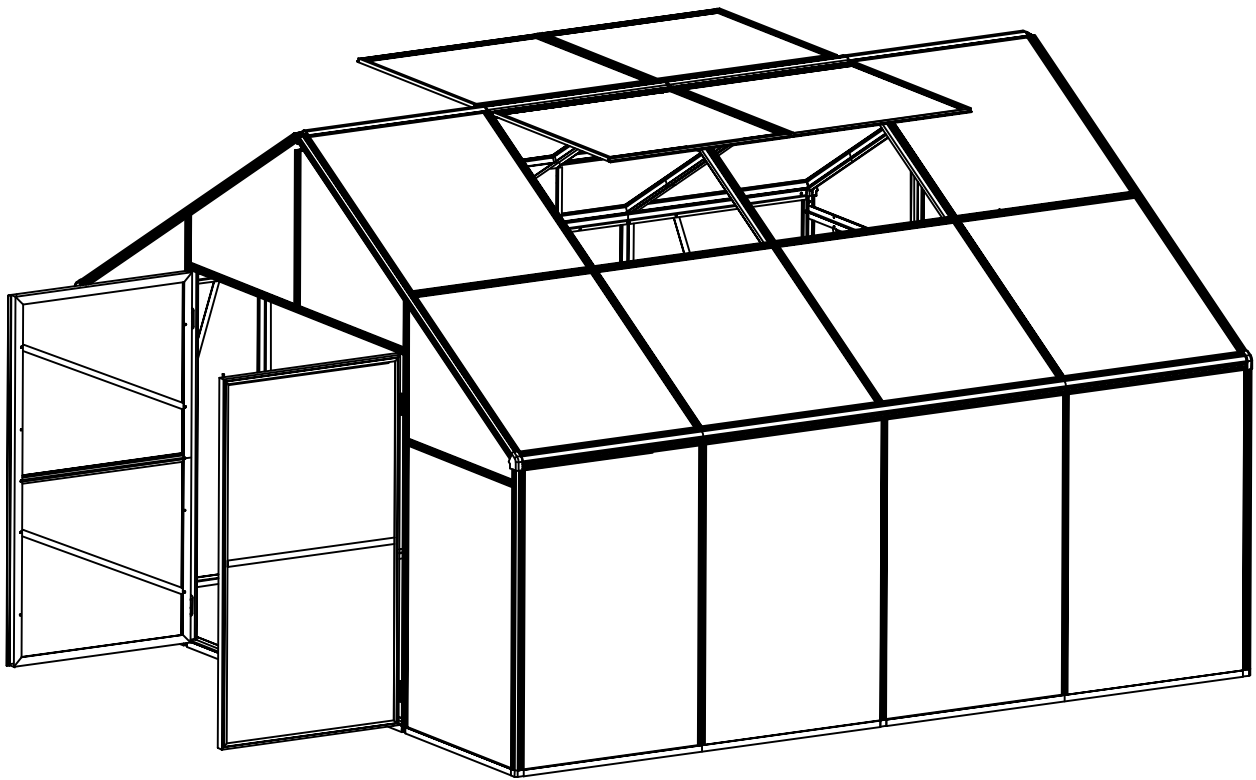


Grow Smart Greenhouse

Assembly Instruction

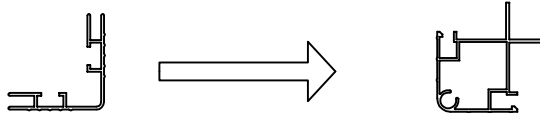


PRODUCT SIZE(LxWxH):Please refer to packing list

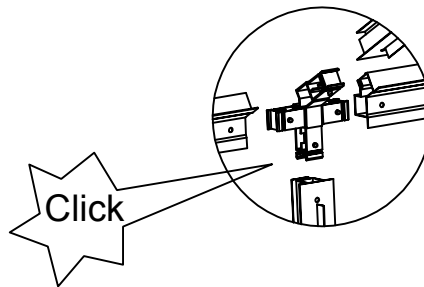
PLEASE READ CAREFULLY BEFORE ASSEMBLY

Product Introduction

1. Compared to other traditional greenhouses, this product improves its aluminum profile from single layer into tube structure, which makes it much stronger and can be held more pressure.



2. Easy and fast assembly.

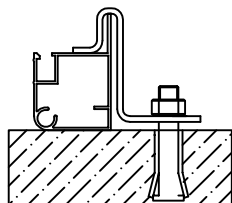


3. Can be extended with no limitation. On the basis of 2 sections , customers can select what they need.

Item No. & Packing List

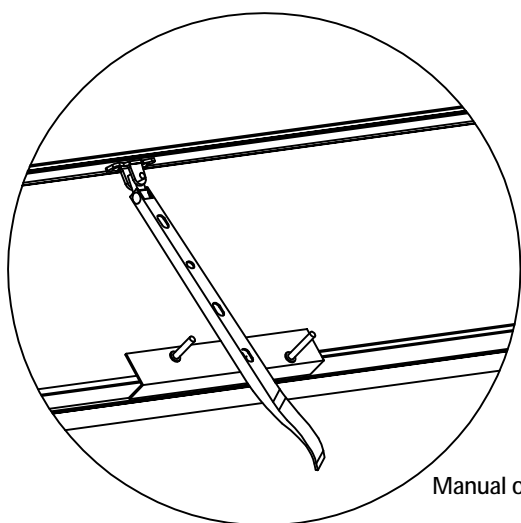
Specifications	Packing List				
	AL No.1	AL No.2	AL No.3	PC No.1	PC No.2
13'-1"x13'-1"x8'-11"10mmGH	1CTN <input type="checkbox"/>	1CTN <input type="checkbox"/>	1CTN <input type="checkbox"/>	1CTN <input type="checkbox"/>	2CTNS <input type="checkbox"/>
19'-8"x13'-1"x8'-11"10mmGH	1CTN <input type="checkbox"/>	1CTN <input type="checkbox"/>	2CTN <input type="checkbox"/>	1CTN <input type="checkbox"/>	3CTNS <input type="checkbox"/>
26'-2"x13'-1"x8'-11"10mmGH	1CTN <input type="checkbox"/>	1CTN <input type="checkbox"/>	3CTN <input type="checkbox"/>	1CTN <input type="checkbox"/>	4CTNS <input type="checkbox"/>
32'-9"x13'-1"x8'-11"10mmGH	1CTN <input type="checkbox"/>	1CTN <input type="checkbox"/>	4CTN <input type="checkbox"/>	1CTN <input type="checkbox"/>	5CTNS <input type="checkbox"/>
etc.	1CTN <input type="checkbox"/>	1CTN <input type="checkbox"/>	etc.	1CTN <input type="checkbox"/>	etc.

4. Base is not necessary on this greenhouse as it comes with Expansion Anchors to attach to Concrete or Lag Screw in Wooden base (not supplied).

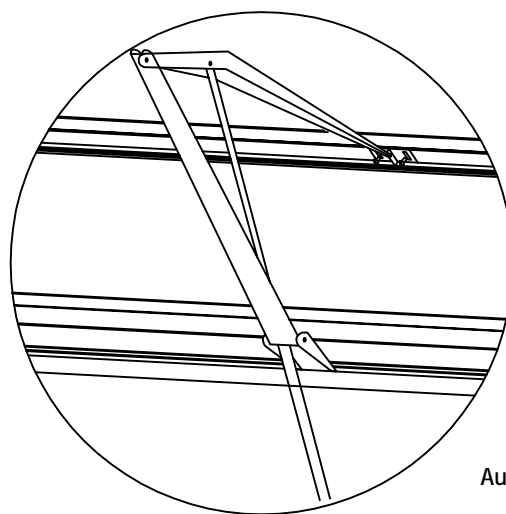


Expansion
screw/Concrete
ground

5. Two window openers are available. One is manual opener (default/standard); the other is automatic opener, item no.: JXX80001 (optional/extra charge).



Manual opener






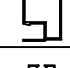
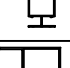
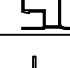
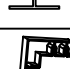


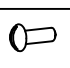

Automatic opener

6. Customers also can choose double doors on both ends. If it is double doors on both ends, please pick two Front Assemblies only, instead of one Front and one Back.

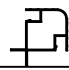

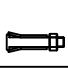
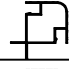


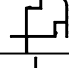


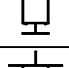


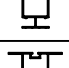


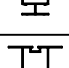

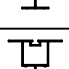

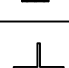

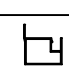

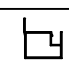



7. Please make sure the PC panel the side with words faces out.

AL No.1




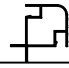





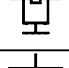


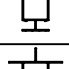

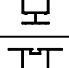

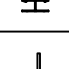

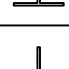

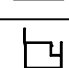
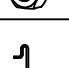
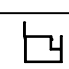
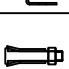
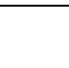
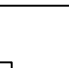
Door Assembly

PART	NO.	QTY.
	L18A	1
	L18B	1
	L18C	1
	L18D	4
	L17	2
	L16A	1
	L05G	4
	J	8
	S01	12
	M01	12
	Z01	16

Front Assembly





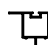











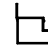






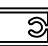
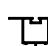
PART	NO.	QTY.	PART	NO.	QTY.	PART	NO.	QTY.
	L01A	2		A	1		S03	2
	L01B	1		B	1		J03R/L	1/1
	L01C	1		C	2		J04	2
	L03E	1		D	1		J01	1
	L03F	1		E	1		J02R/L	1/1
	L04A	1		F	1			
	L04B	2		W01	3			
	L04C	1		W04	1			
	L05A	2		S01	25			
	L08A	2		M01	25			
	L08B	1		W05	2			

Back Assembly

PART	NO.	QTY.	PART	NO.	QTY.	PART	NO.	QTY.
	L01A	2		A	1		J03R/L	1/1
	L01B	1		B	1		J04	2
	L01C	1		C	2		J01	1
	L02E	1		D	1		J02R/L	1/1
	L03C	1		E	1			
	L03D	1		F	1			
	L04B	4		W01	3			
	L05A	2		S01	30			
	L05B	2		M01	30			
	L08A	2		W05	4			
	L08B	1		S03	4			

















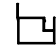





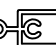
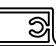

AL No.2

2 Sections Assembly Instruction

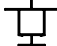
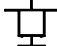
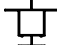
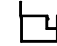













PART	NO.	QTY.	PART	NO.	QTY.
	L02A	2		W06	2
	L02B	2		W08	2
	L04B	2		S01	36
	L05B	2		S02	4
	L05C	2		M01	40
	L05D	2		Z02	12
	L06	1		Z03	6
	L07	2		Z04	4
	L08B	2		W05	4
	L09	2		S03	4
	L15A	2			
	L19	4			
	L20	2			
	L21	2			
	L04E	2			

AL No.3

2 Sections Assembly Instruction

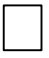
PART	NO.	QTY.	PART	NO.	QTY.
	L02A	2		W06	2
	L02B	2		W08	2
	L04B	2		S01	36
	L05B	2		S02	4
	L05C	2		M01	40
	L05D	2		Z02	12
	L06	1		Z03	6
	L07	2		Z04	4
	L08B	2		W05	4
	L09	2		S03	4
	L15A	2			
	L19	4			
	L20	2			
	L21	2			
	L04E	2			

Middle Section Assembly Instruction






PART	NO.	QTY.
	L03A	2
	L03B	2
	L03K	2
	L08A	2
	L05E	1
	L05F	2
	W01	2
	G	2
	H	1
	K	2
	M	2
	S01	14
	M01	14
	J04	2
	J05	1
	W05	2
	S03	2

PC No.1



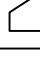
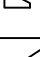
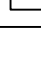
Door Assembly

PART	NO.	QTY.
	Y11	4

Front Assembly

PART	NO.	QTY.
	Y1	1
	Y2	2
	Y4	1
	Y5	1
	Y13	1





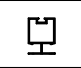

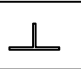



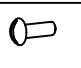
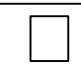
Back Assembly

PART	NO.	QTY.
	Y1	1
	Y2	4
	Y3	1
	Y4	1
	Y8	1

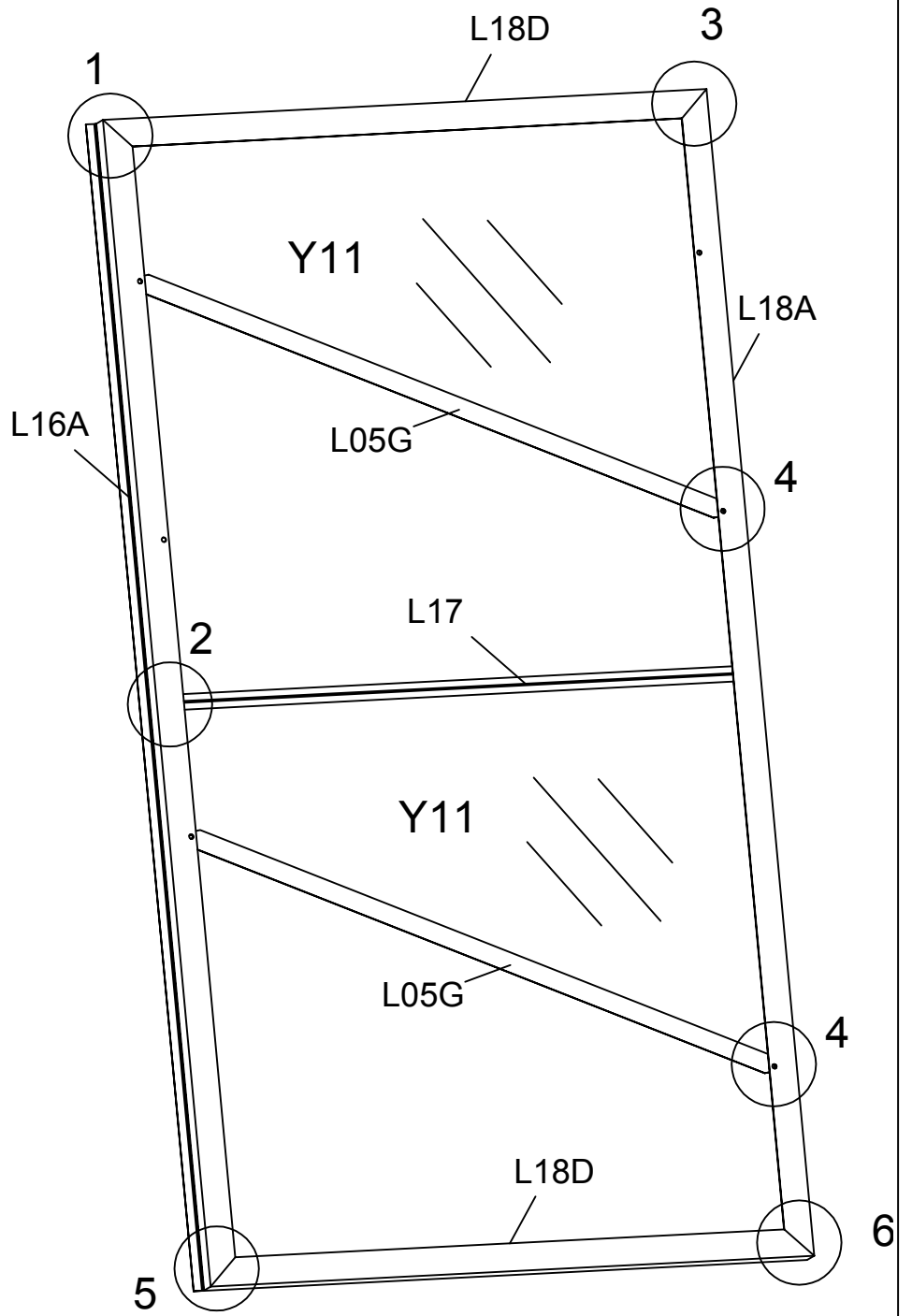
PC No.2

2 Sections Assembly Instruction

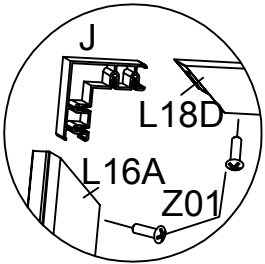
PART	NO.	QTY.
	Y6	4
	Y7	6
	Y9	2
	Y10	2

PART	NO.	QTY.
	L18A	1
	L18B	1
	L18C	1
	L18D	4
	L17	2
	L16A	1
	L05G	4
	J	8
	S01	12
	M01	12
	Z01	16
	Y11	4

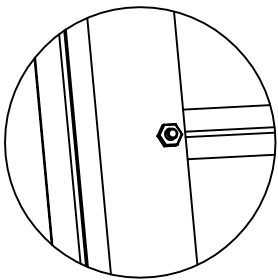
Door1 Assembly



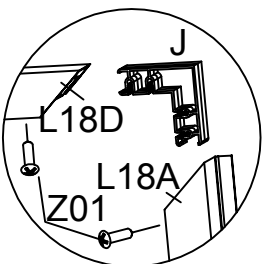
1



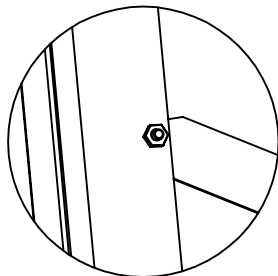
2



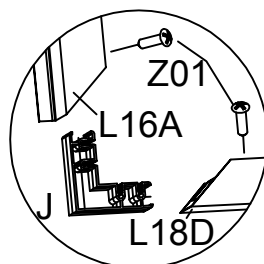
3



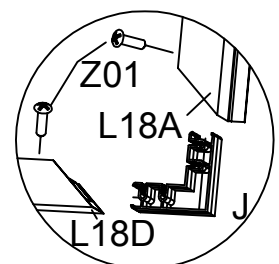
4



5

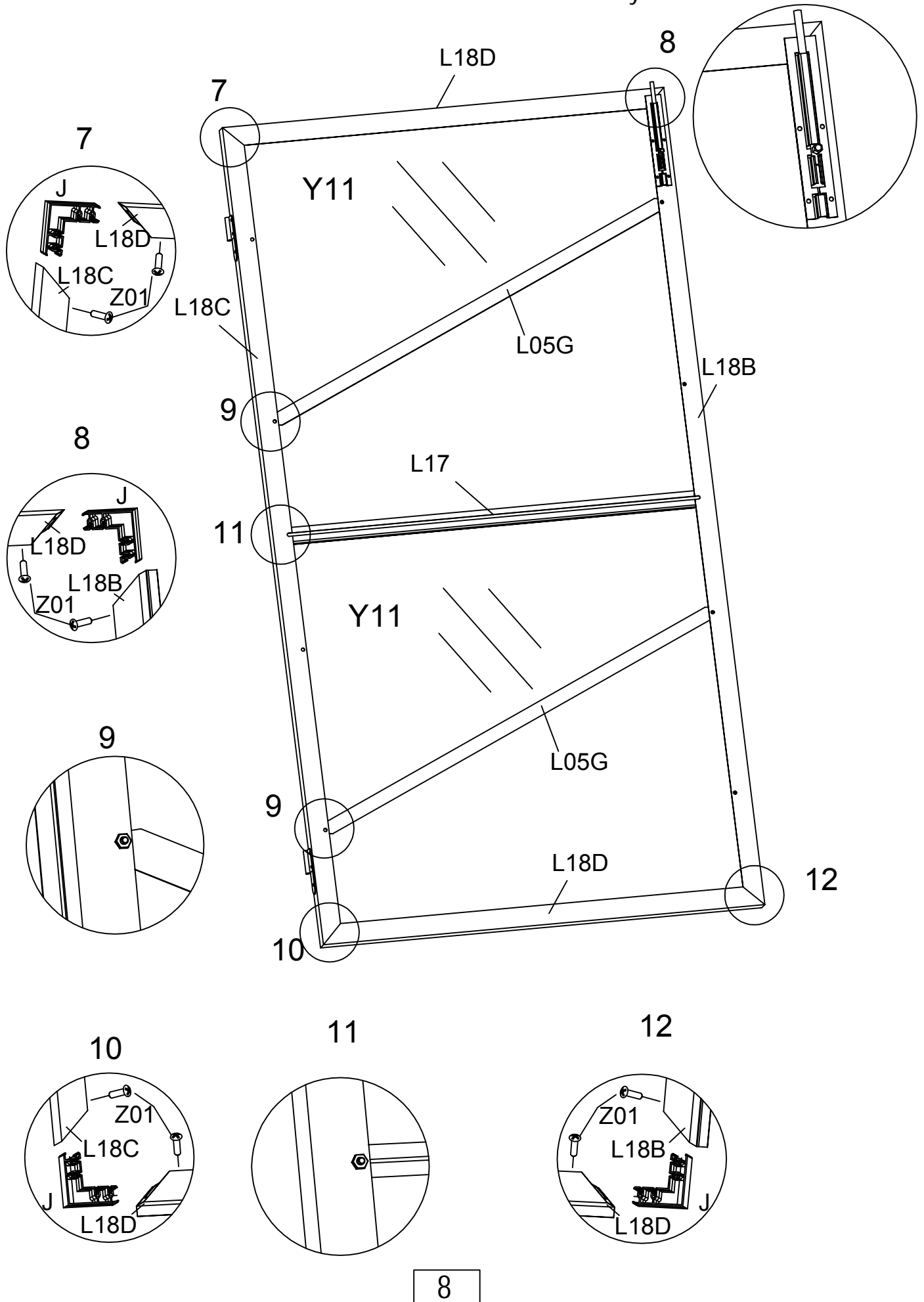







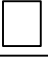


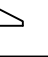
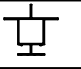


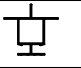

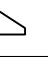
6

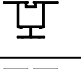

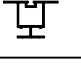

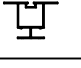

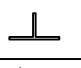

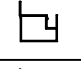

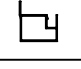
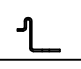







7

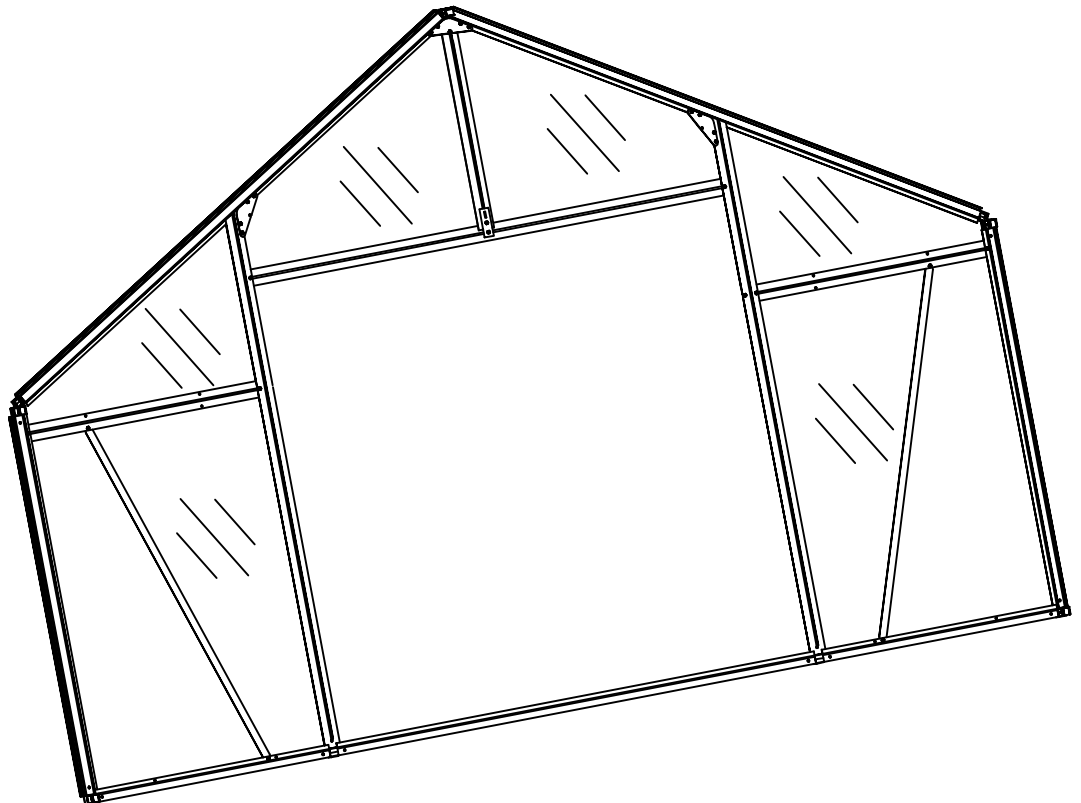
Door2 Assembly

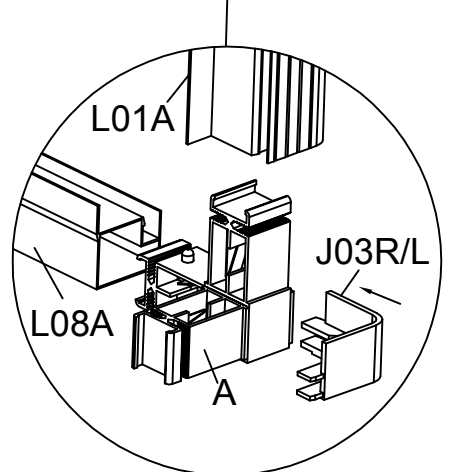
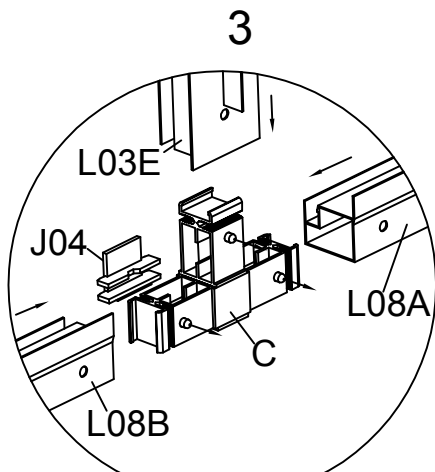
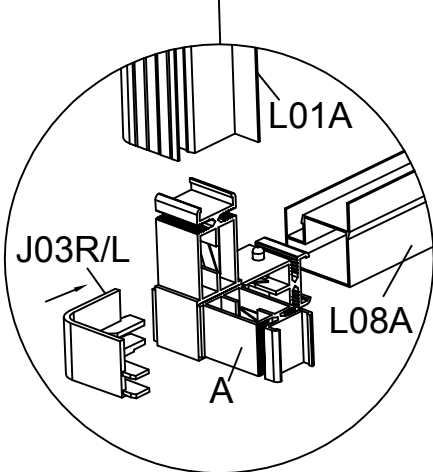
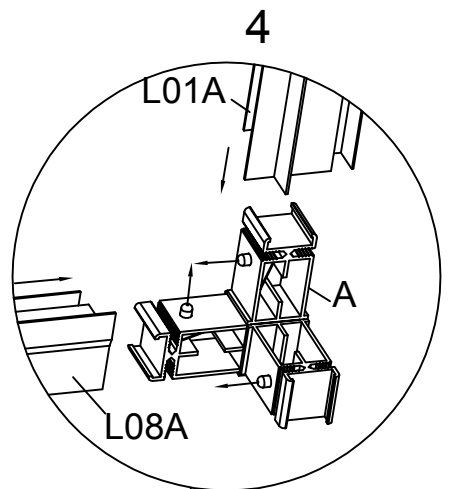
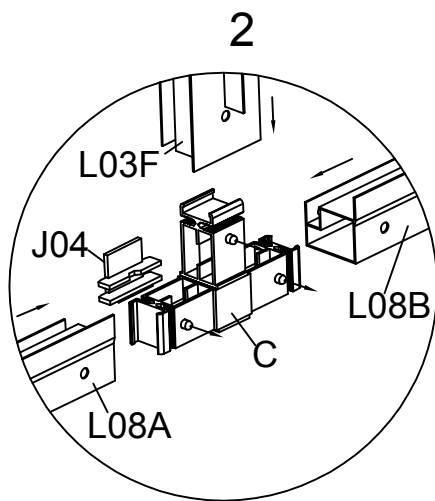
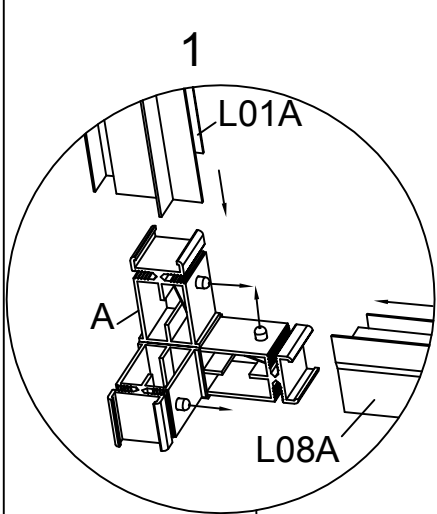
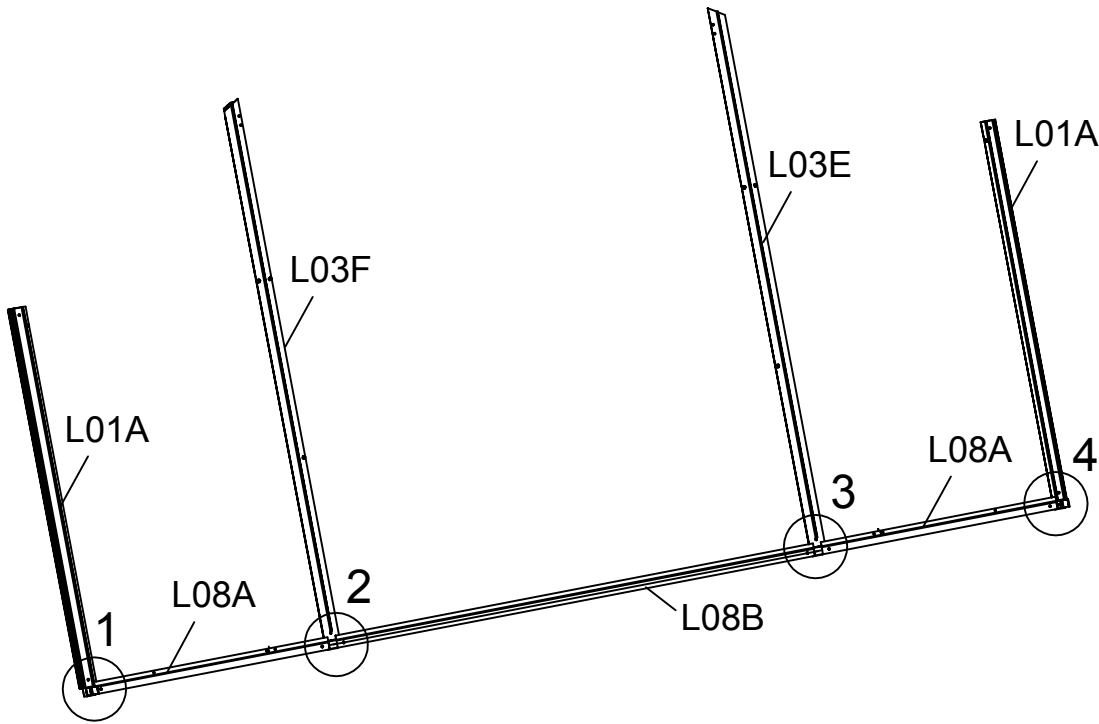


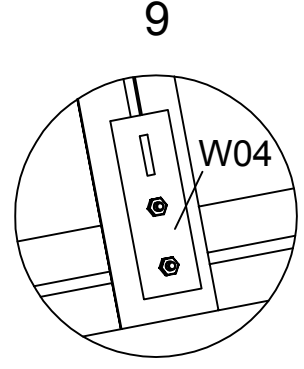
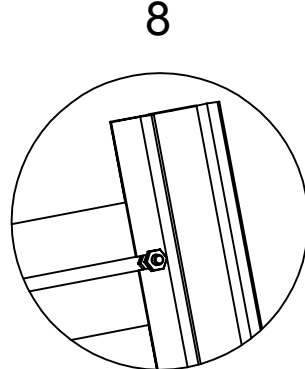
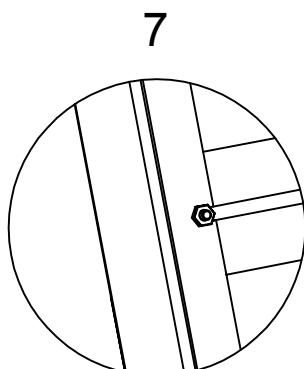
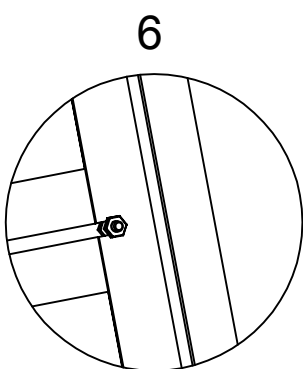
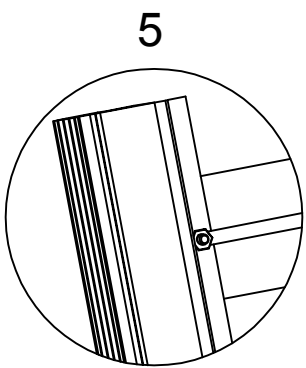
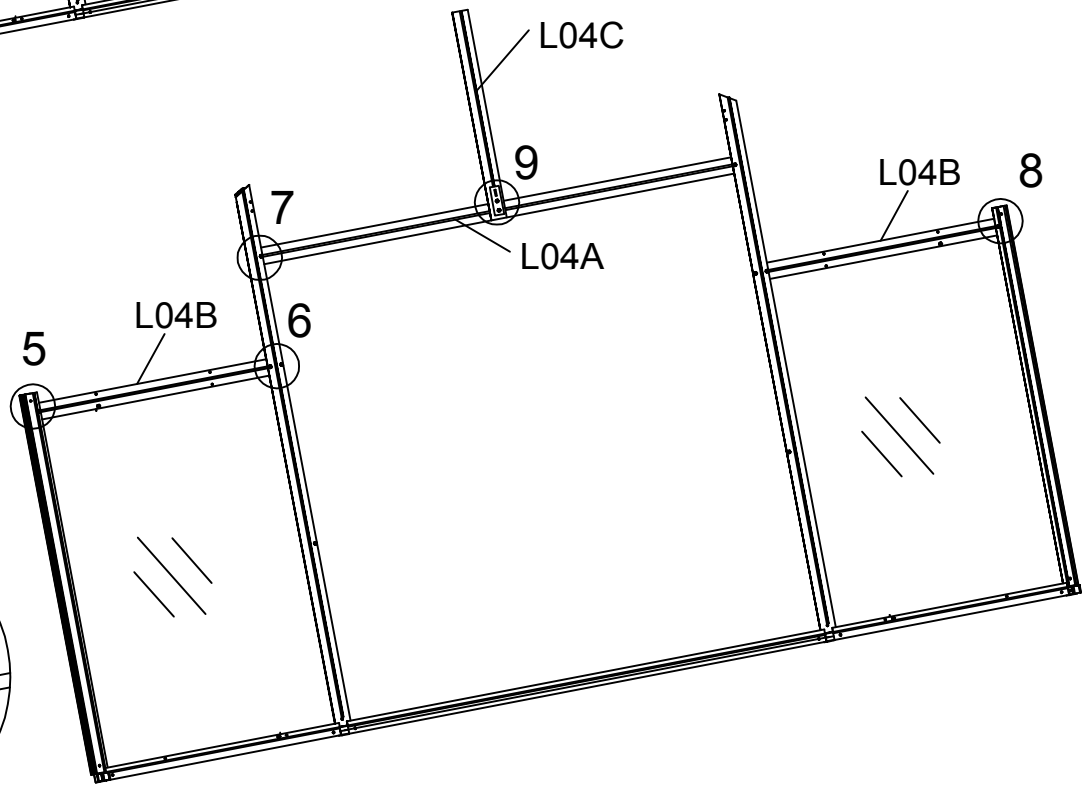
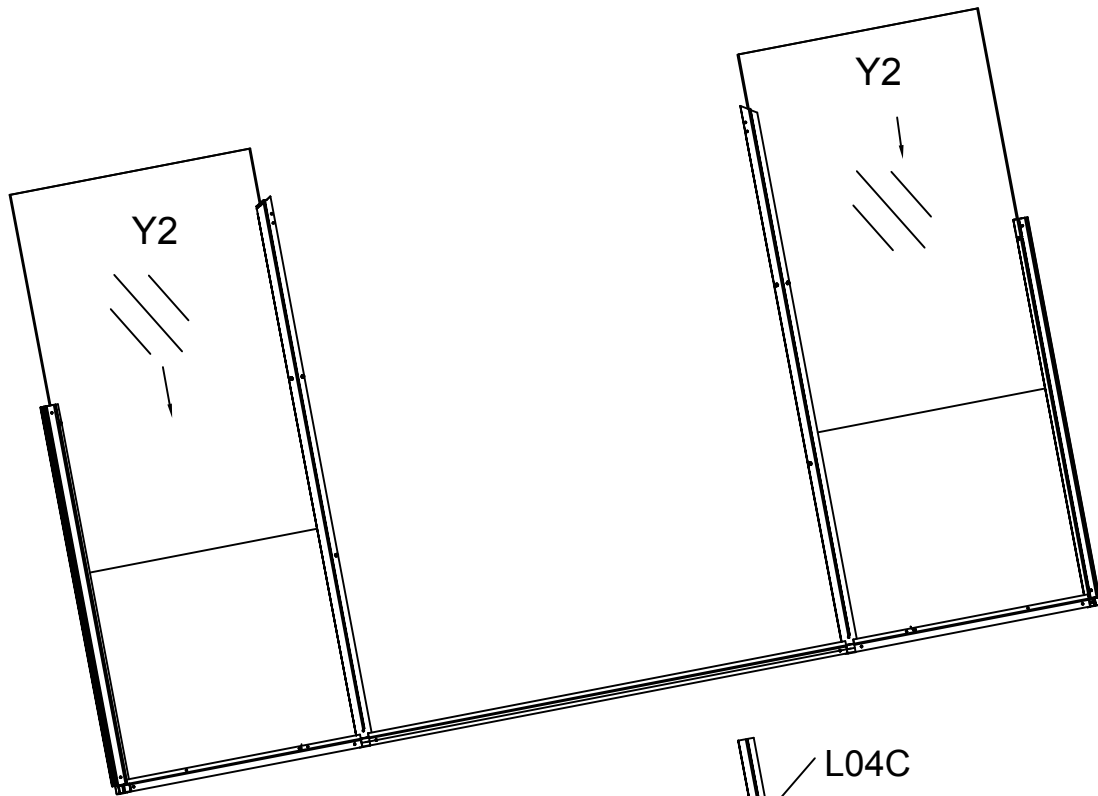
PART	NO.	QTY.	PART	NO.	QTY.	PART	NO.	QTY.
	L01A	2		A	1		Y1	1
	L01B	1		B	1		Y2	2
	L01C	1		C	2		Y4	1
	L03E	1		D	1		Y5	1
	L03F	1		E	1		Y13	1

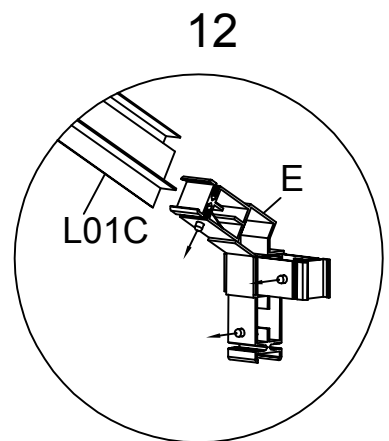
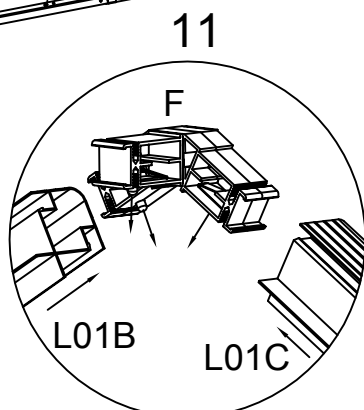
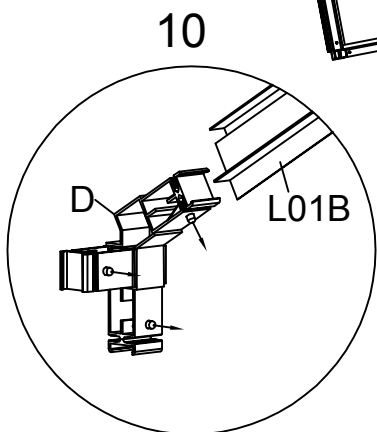
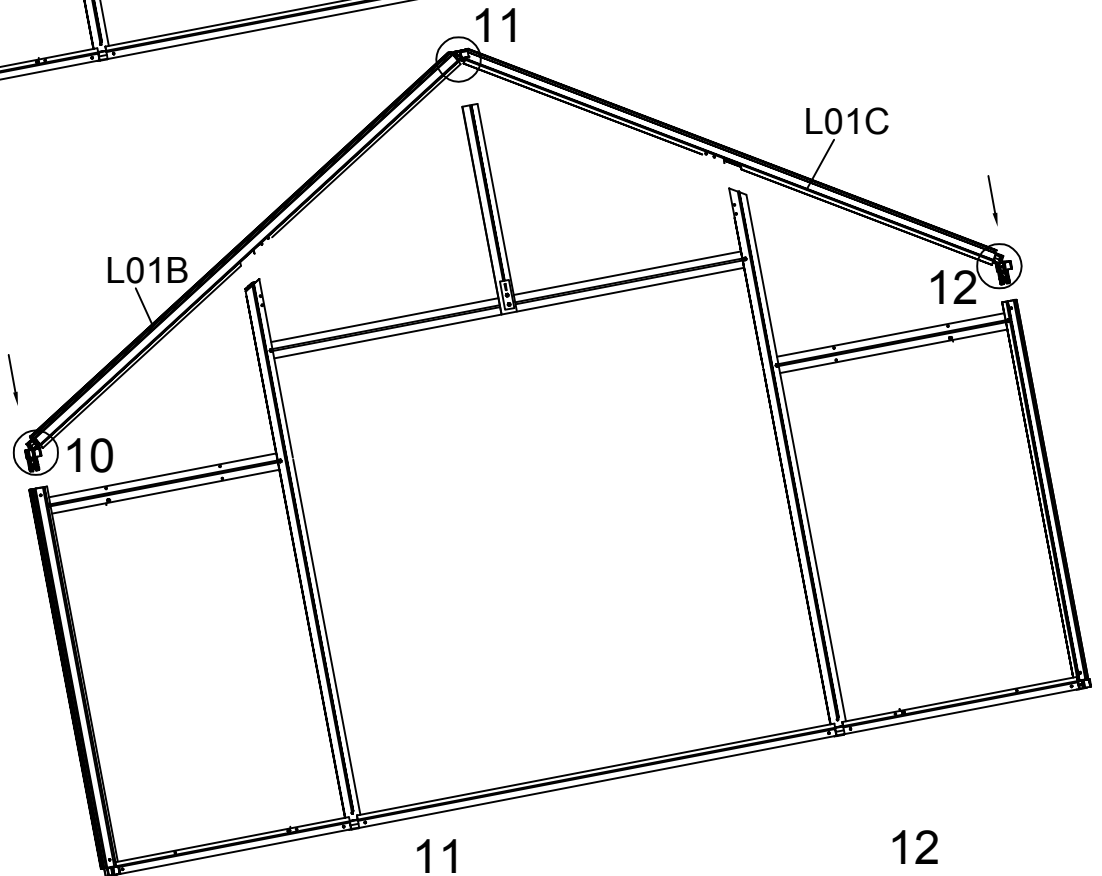
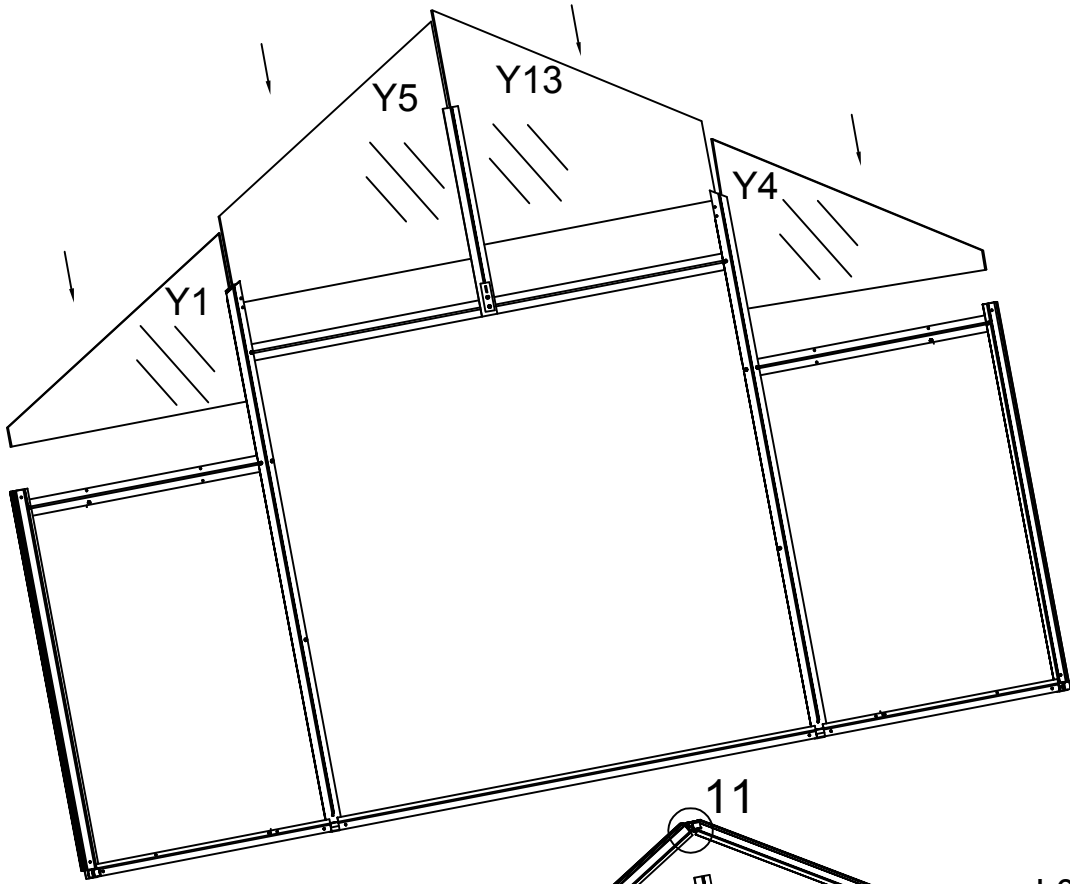
	L04A	1		F	1
	L04B	2		W01	3
	L04C	1		W04	1
	L05A	2		S01	25
	L08A	2		M01	25
	L08B	1		W05	2
				S03	2
				J03R/L	1/1
				J04	2
				J01	1
				J02R/L	1/1

Front Assembly

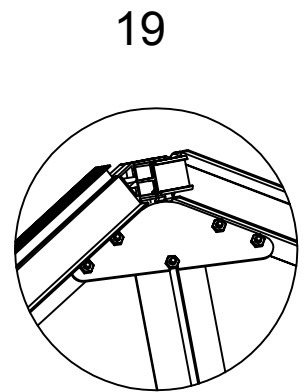
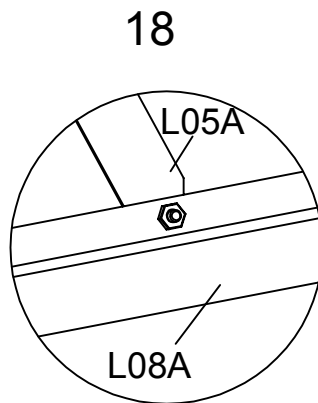
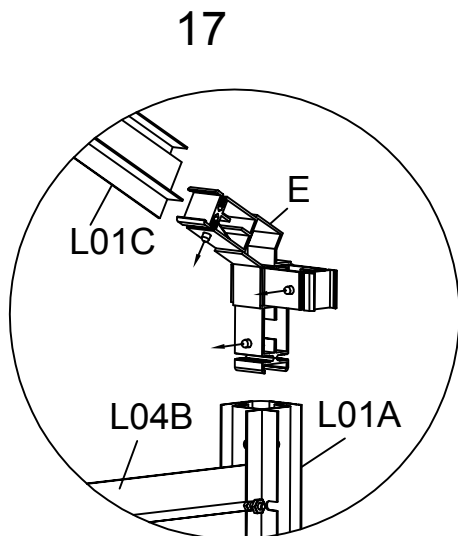
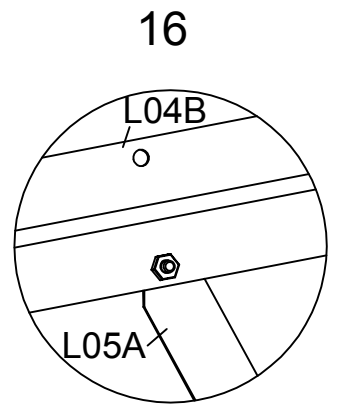
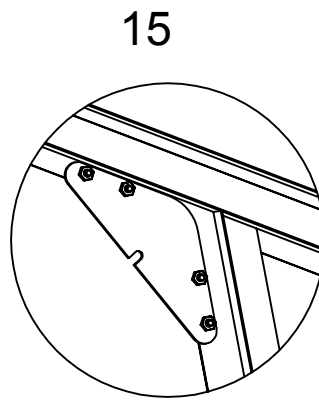
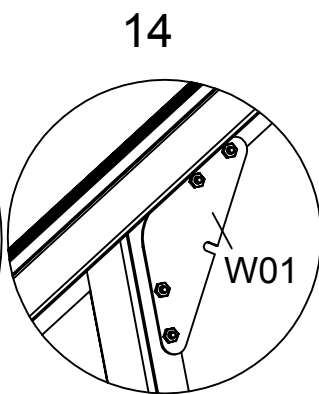
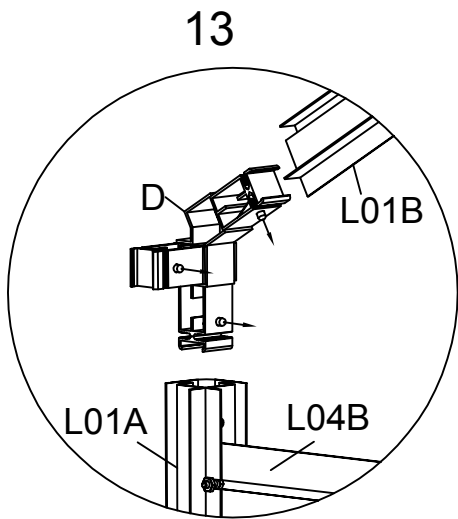
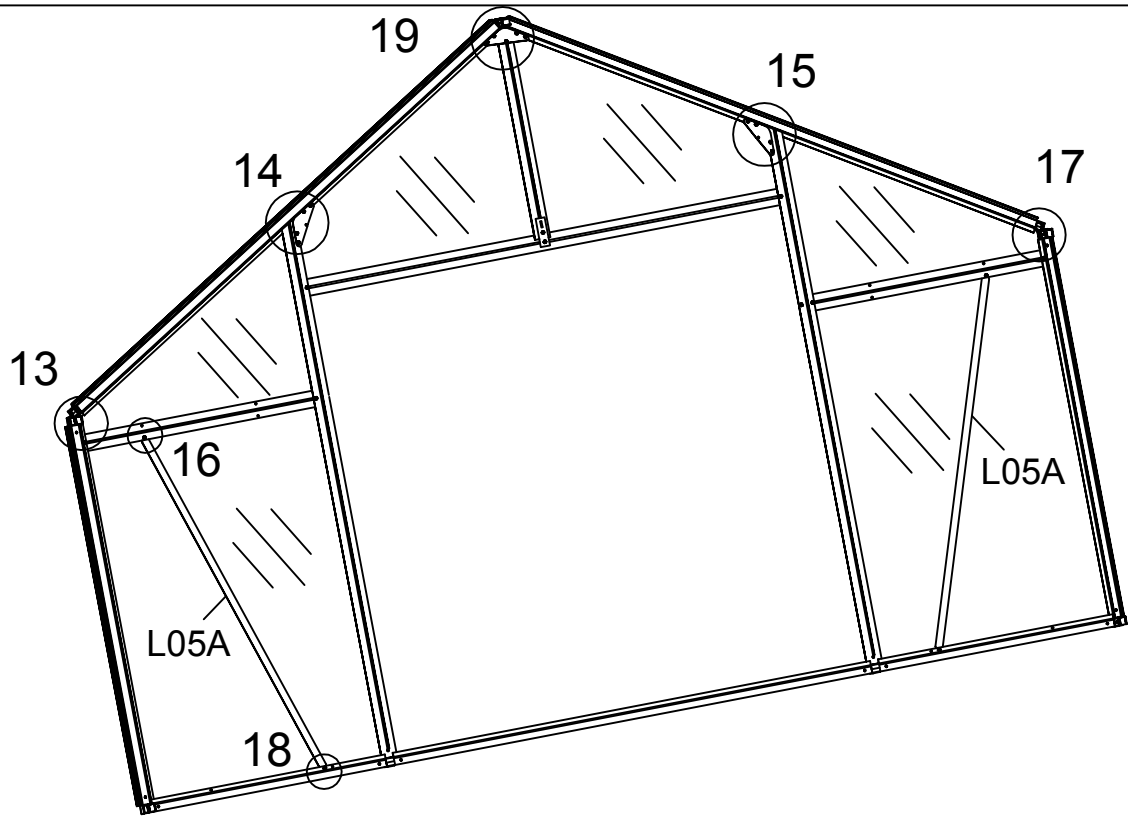


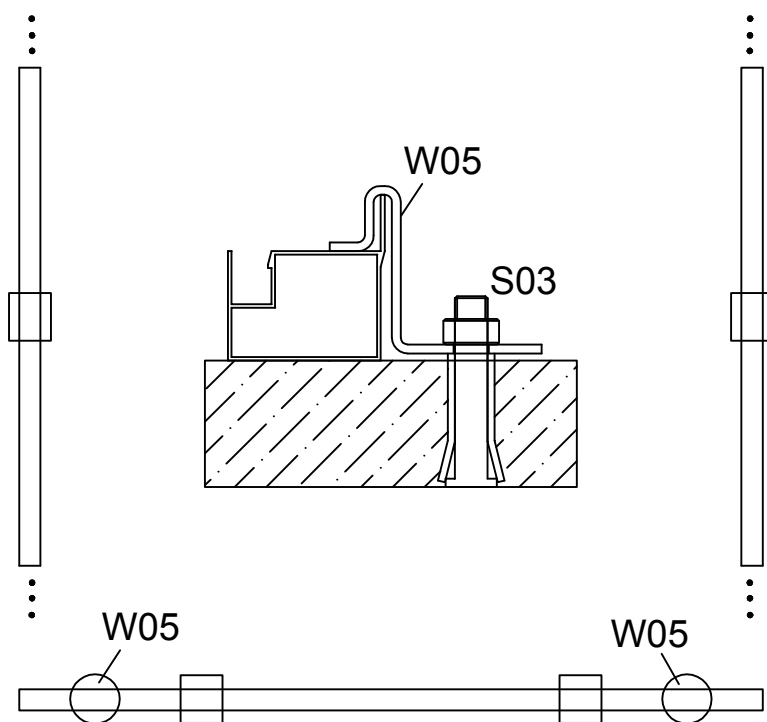




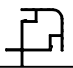


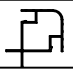

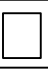



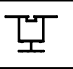

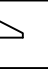
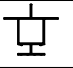




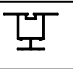

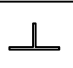

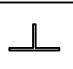

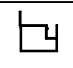

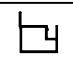







12

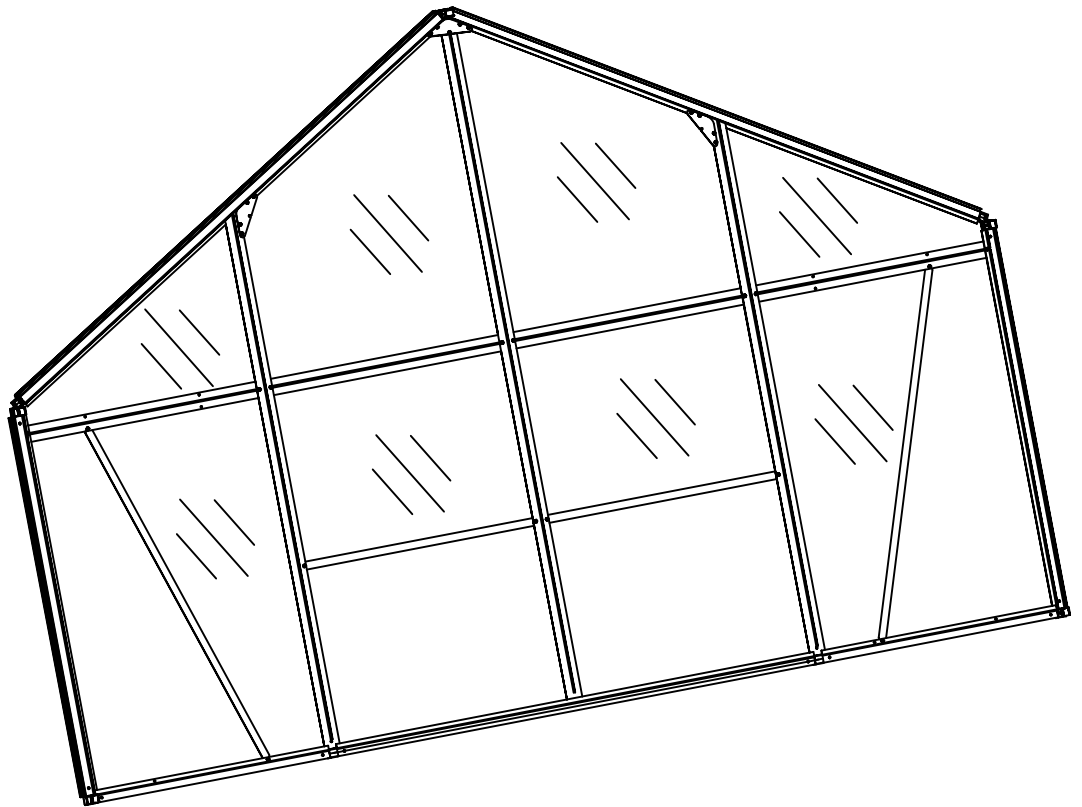


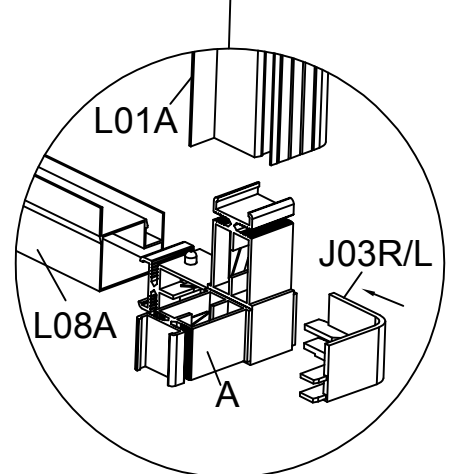
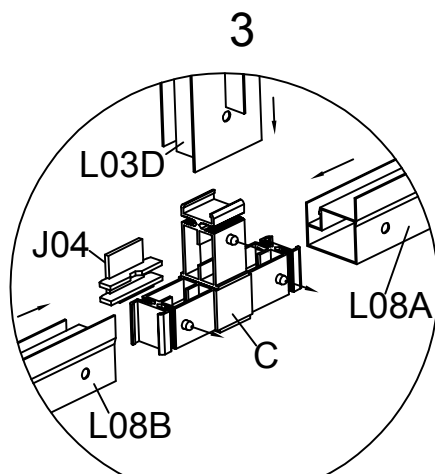
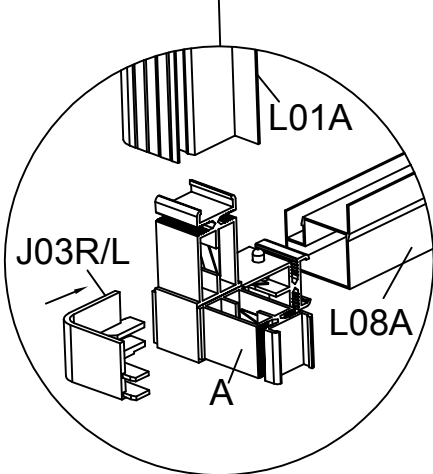
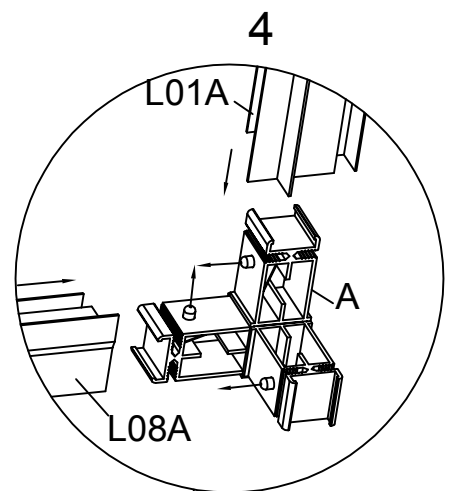
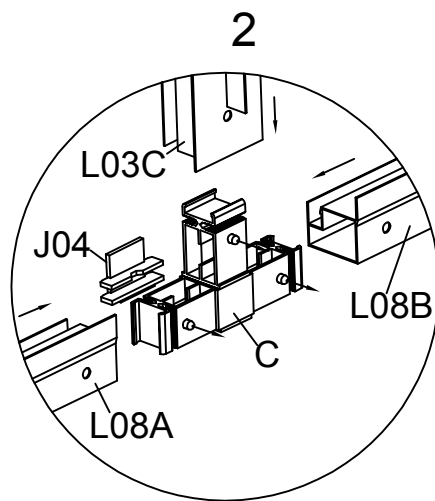
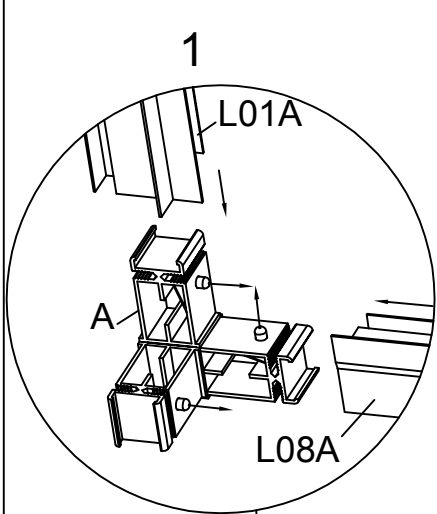
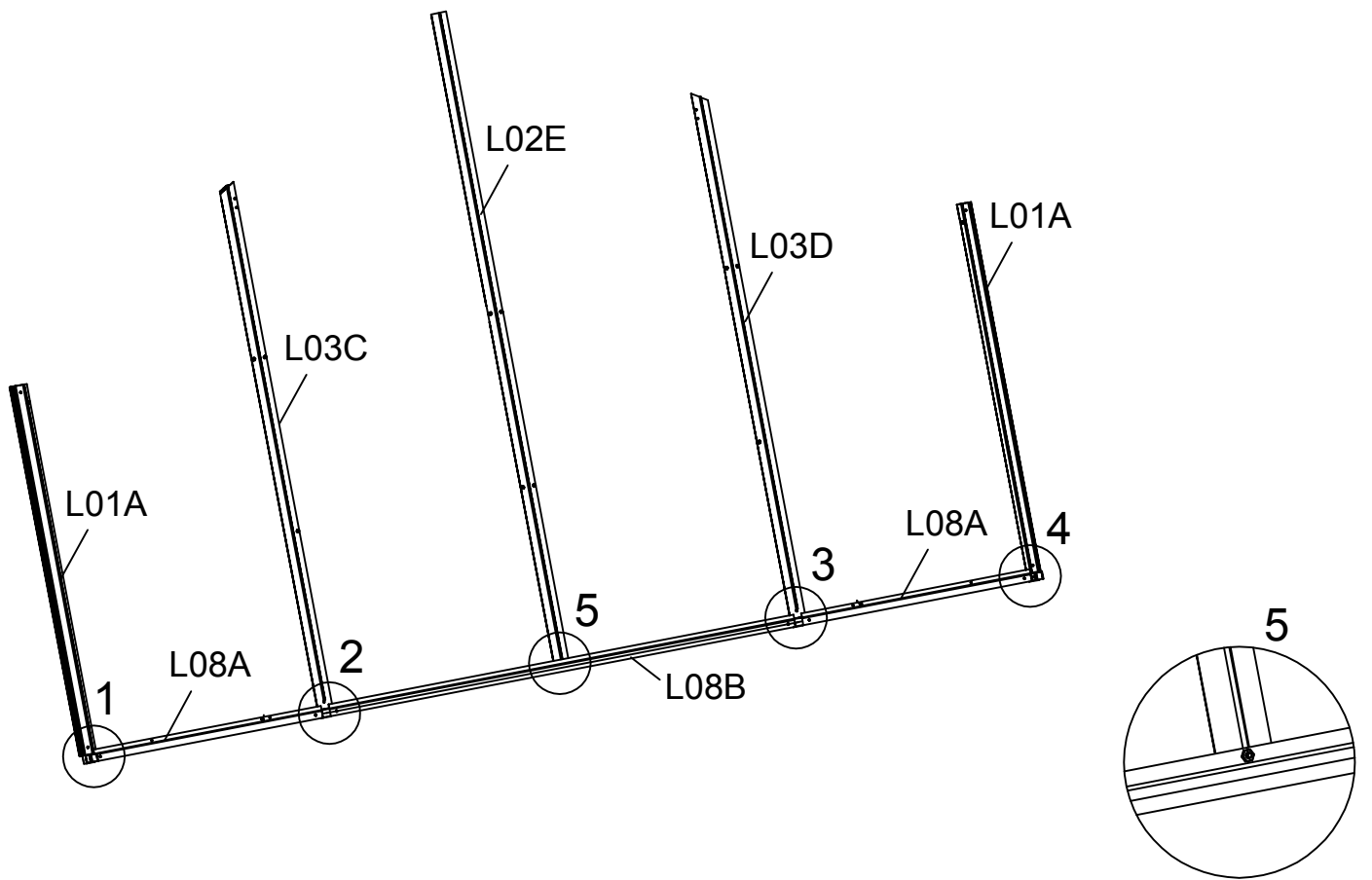


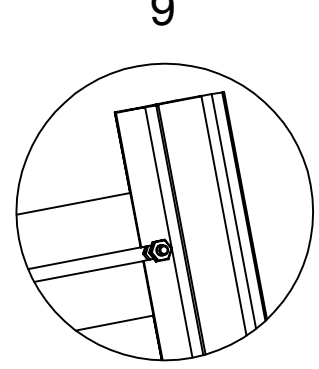
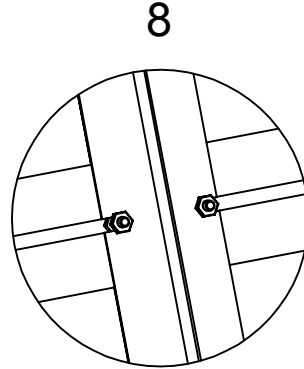
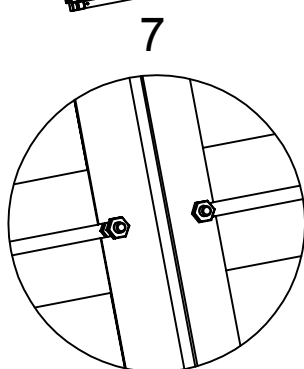
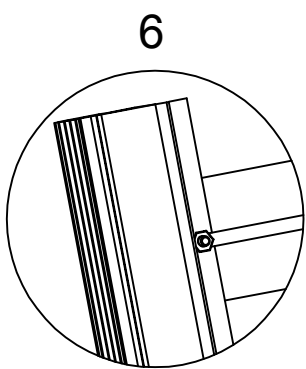
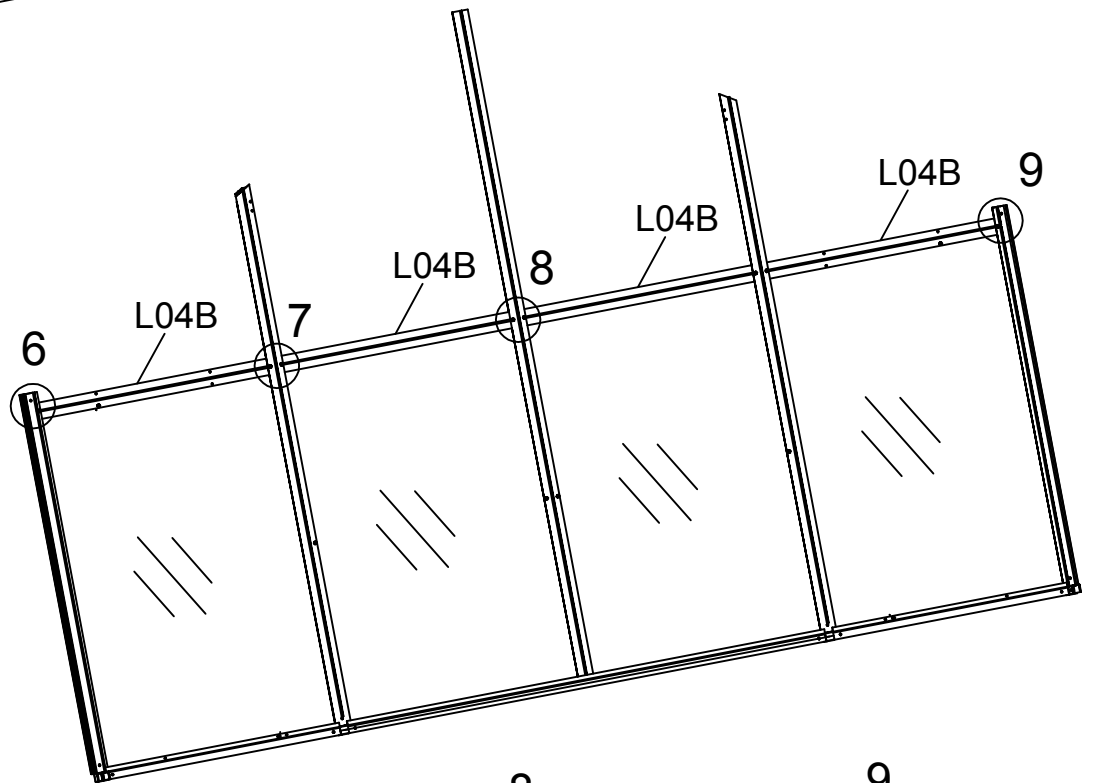
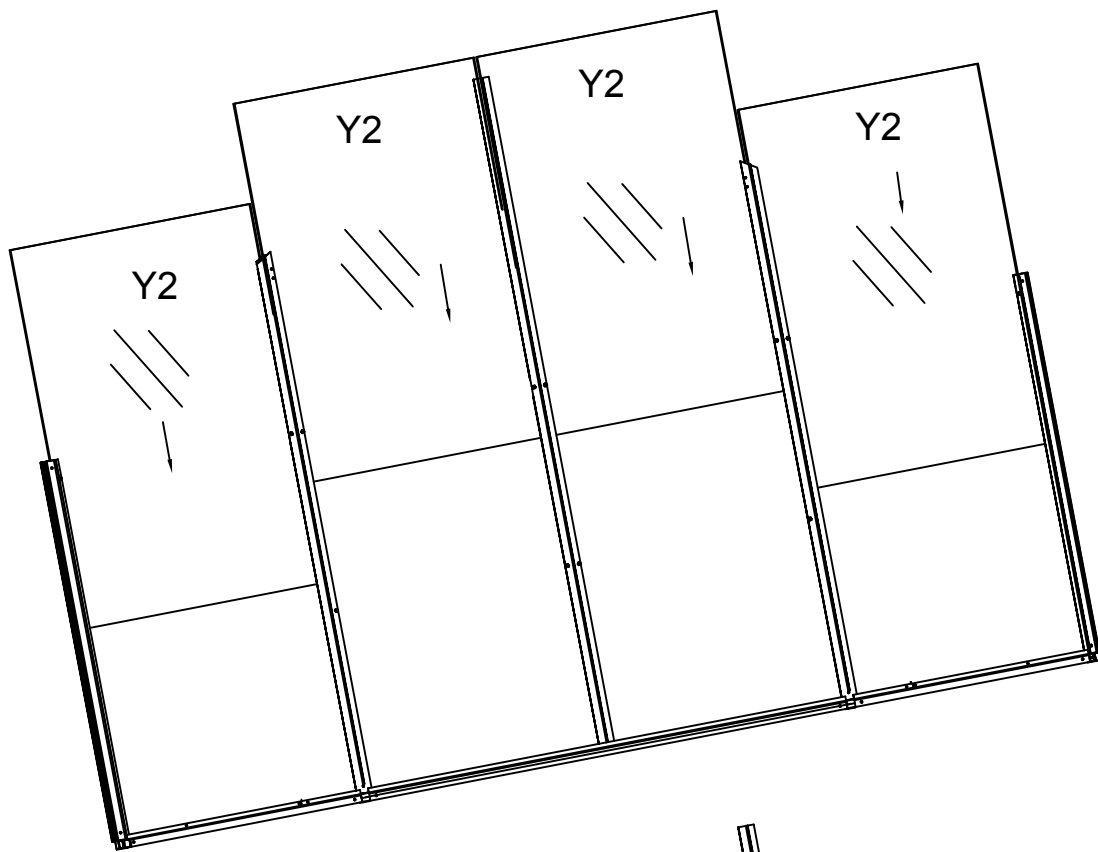
Front Assembly

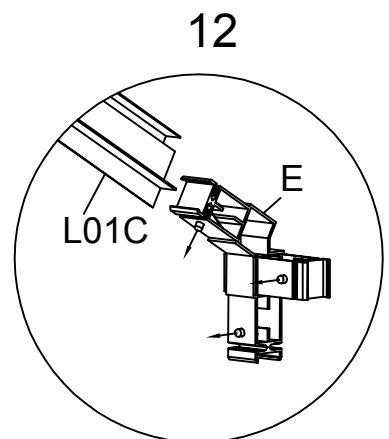
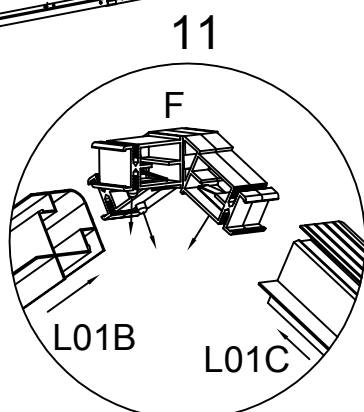
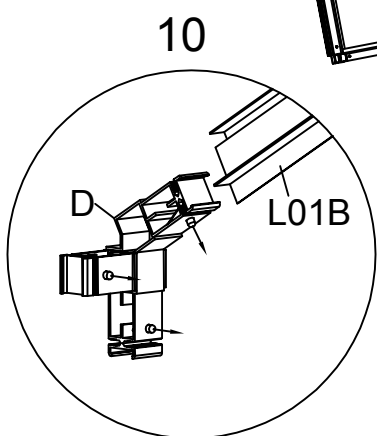
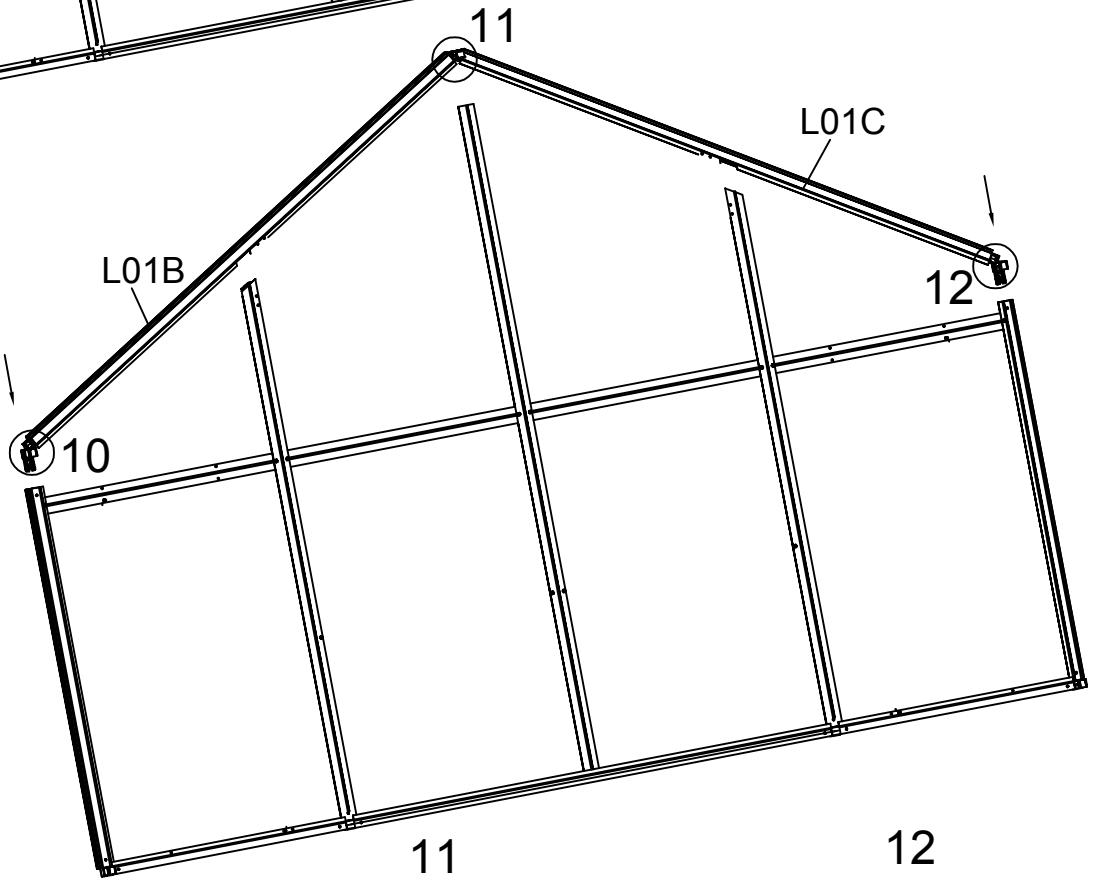
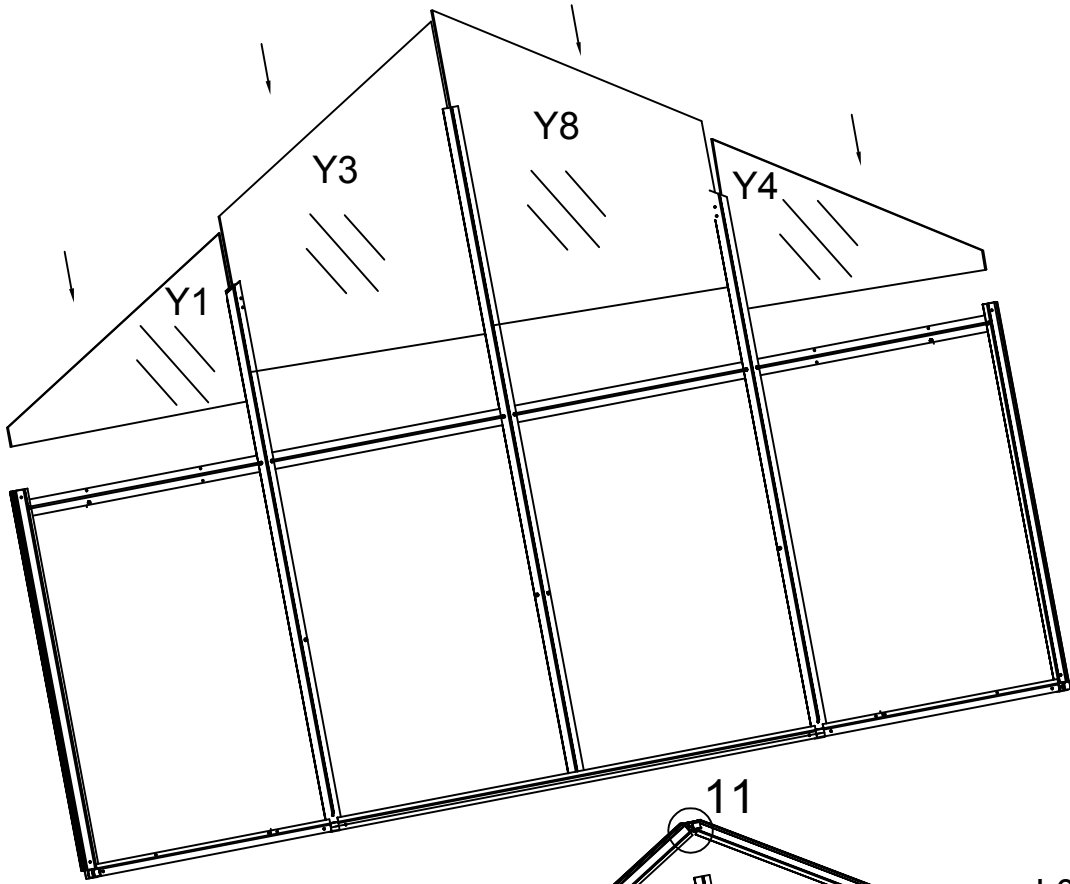
PART	NO.	QTY.	PART	NO.	QTY.	PART	NO.	QTY.
	L01A	2		A	1		Y1	1
	L01B	1		B	1		Y2	4
	L01C	1		C	2		Y3	1
	L02E	1		D	1		Y4	1
	L03C	1		E	1		Y8	1
	L03D	1		F	1			
	L04B	4		W01	3			
	L05A	2		S01	30			
	L05B	2		M01	30			
	L08A	2		W05	4			
	L08B	1		S03	4			
				J03R/L	1/1			
				J04	2			
				J01	1			
				J02R/L	1/1			

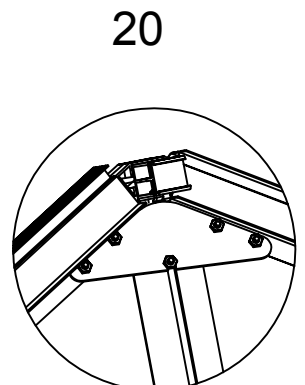
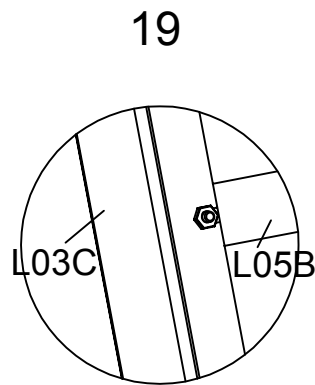
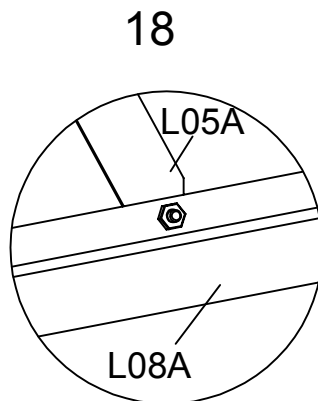
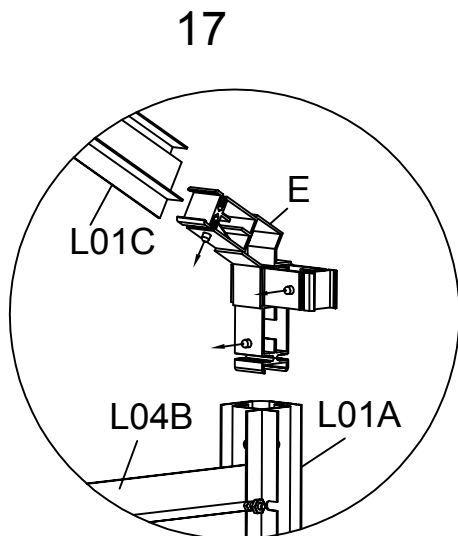
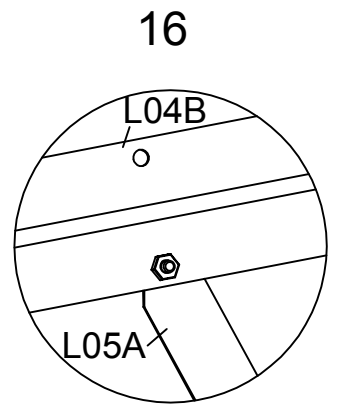
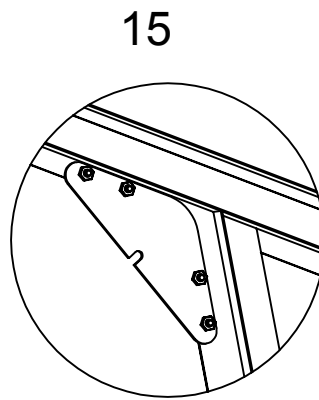
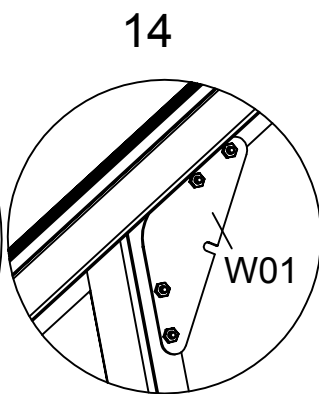
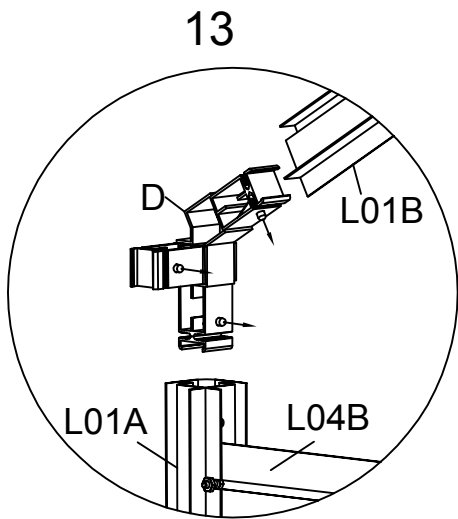
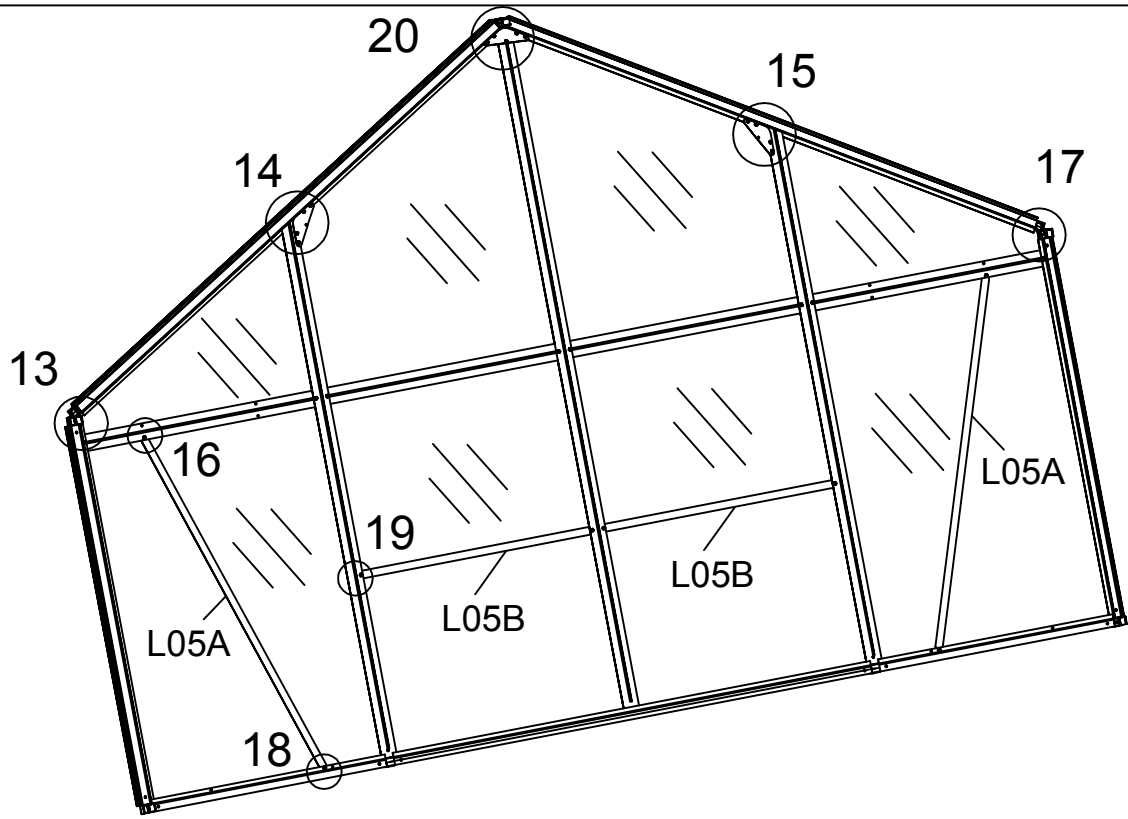
Back Assembly

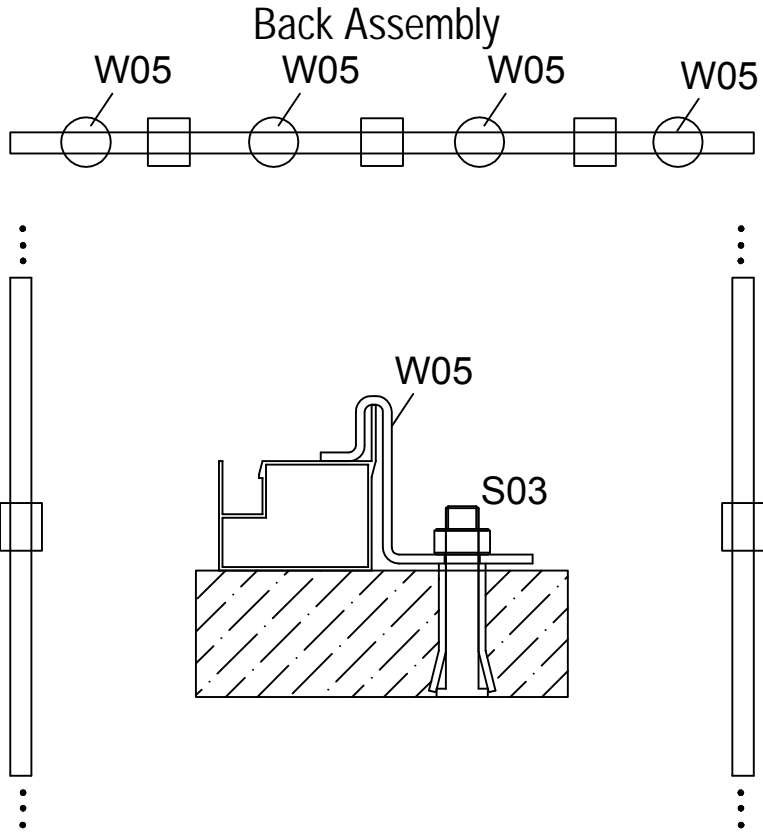




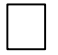


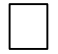

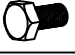
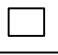
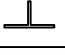




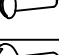

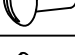
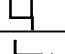
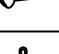

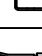
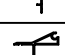
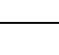


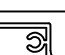
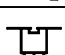
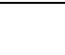




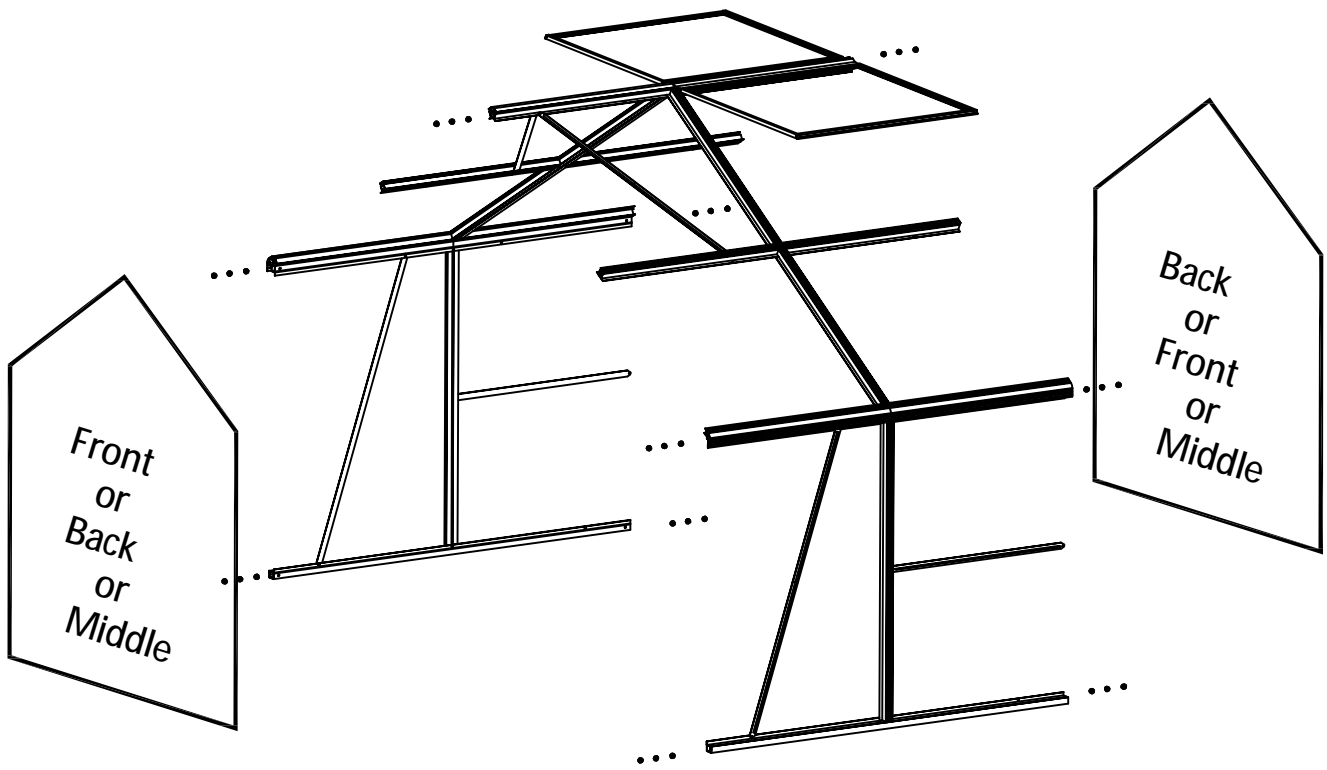




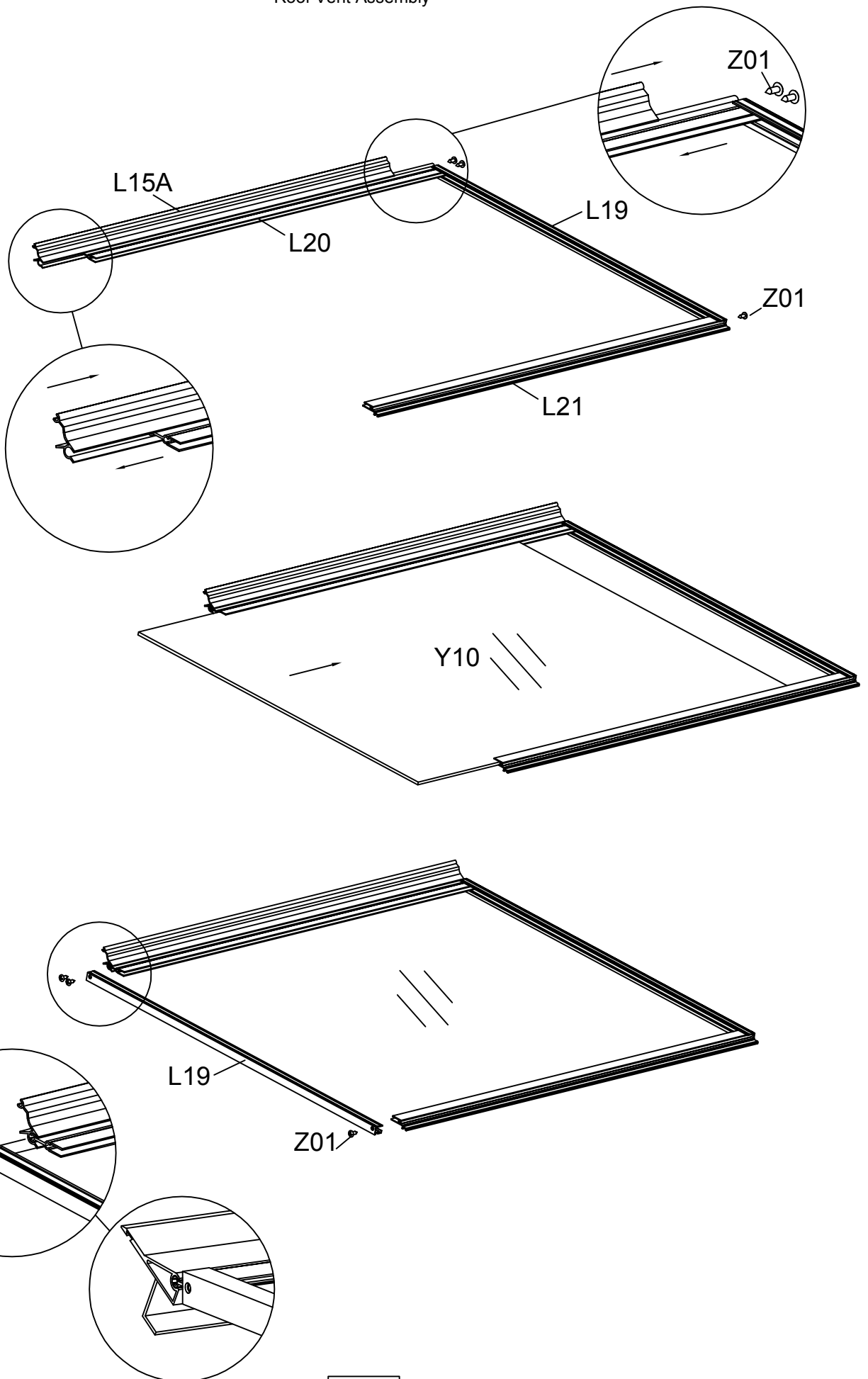


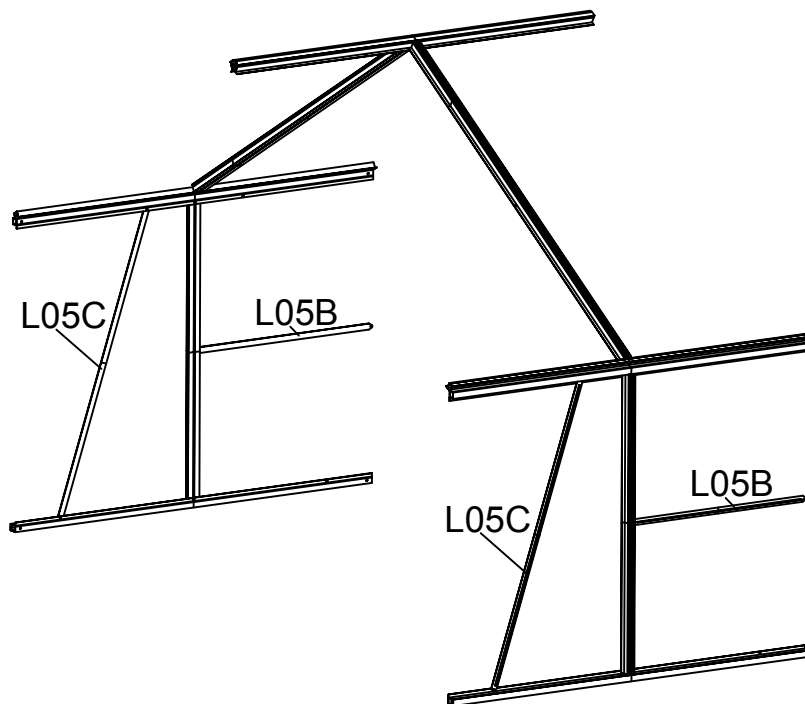
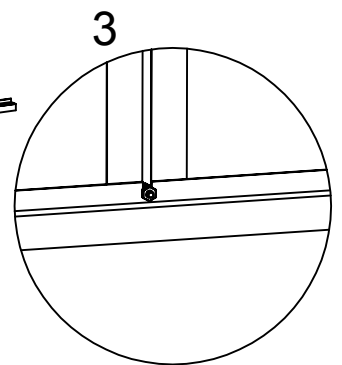
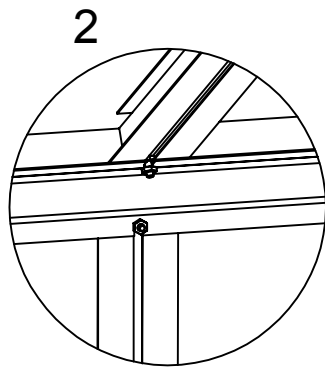
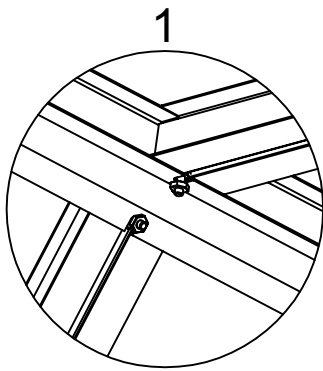
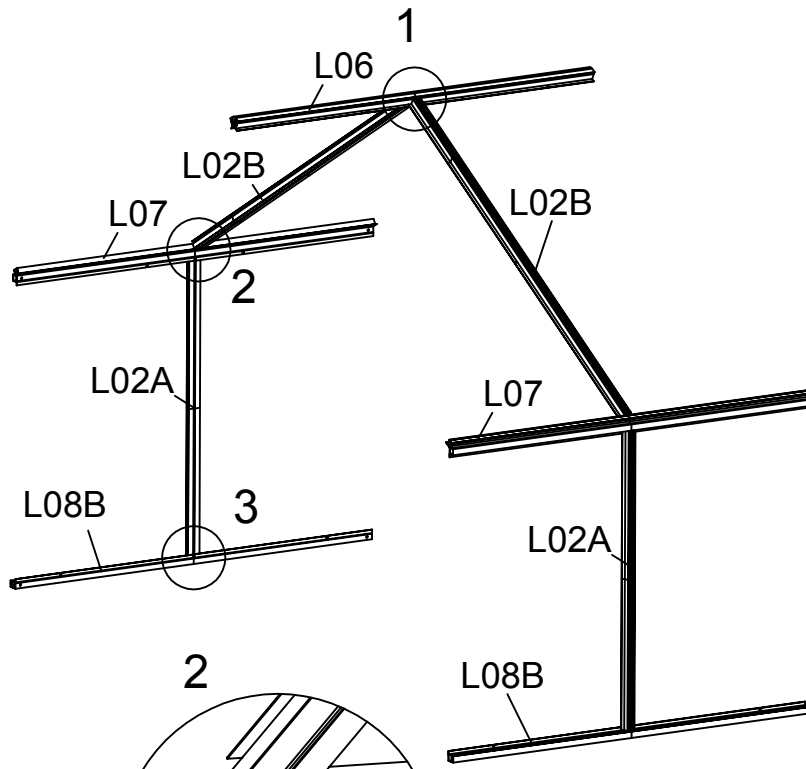
PART	NO.	QTY.	PART	NO.	QTY.	PART	NO.	QTY.
	L02A	2		W06	2		Y6	4
	L02B	2		W08	2		Y7	6
	L04B	2		S01	36		Y10	2
	L05B	2		S02	4			
	L05C	2		M01	40			
	L05D	2		Z02	12			
	L06	1		Z03	6			
	L07	2		Z04	4			
	L08B	2		W05	4			
	L09	2		S03	4			
	L15A	2						
	L19	4						
	L20	2						
	L21	2						
	L04E	2						

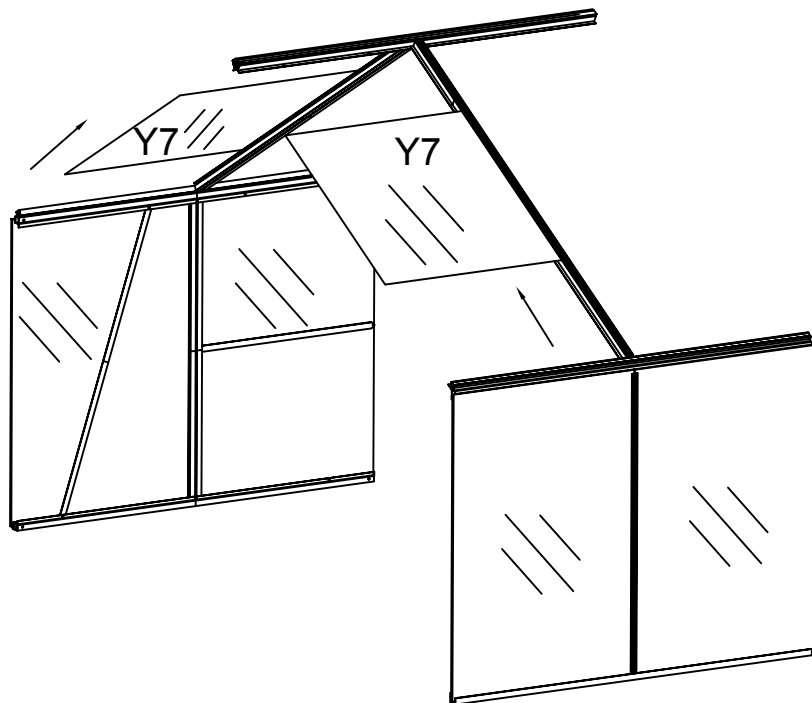
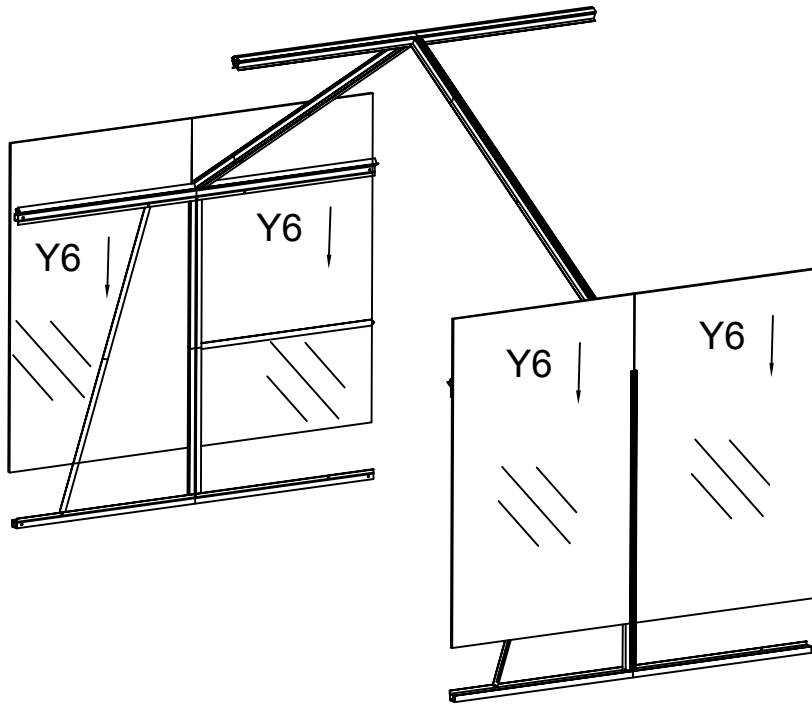
2 Sections Assembly Instruction

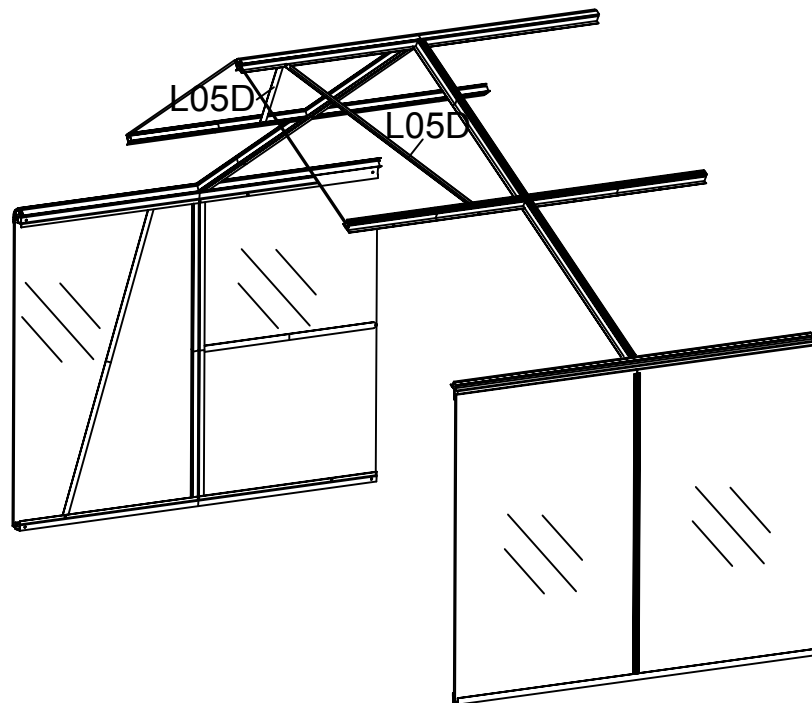
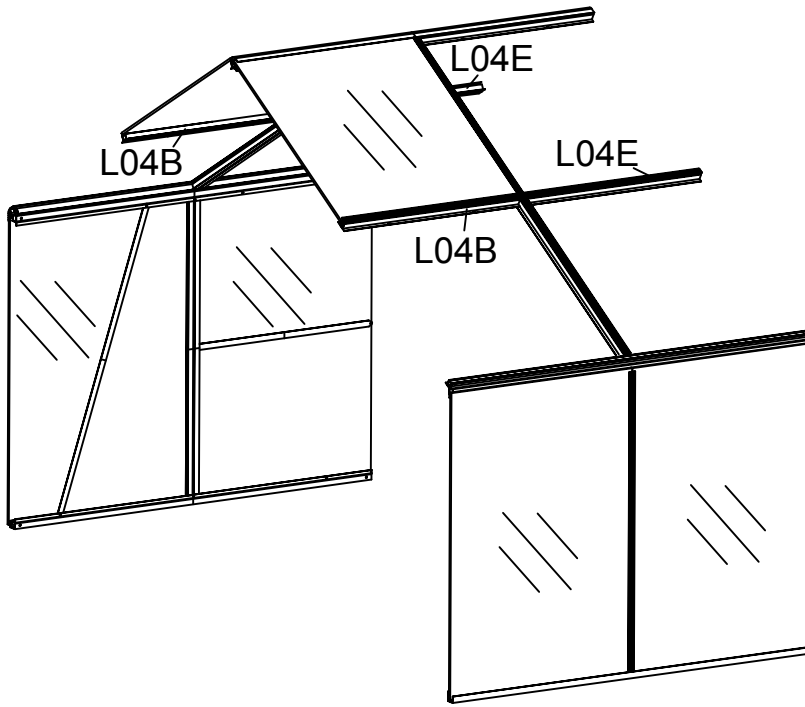


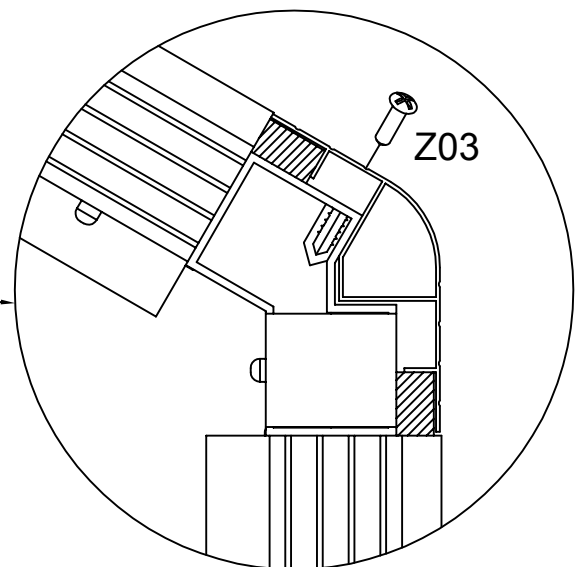
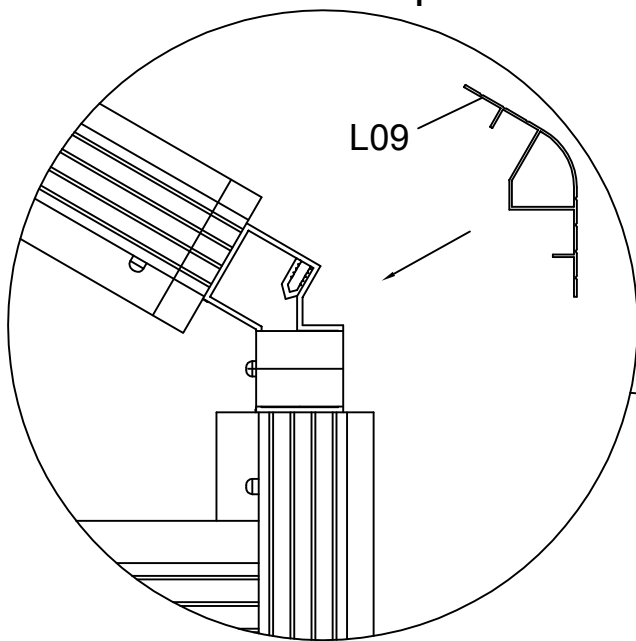
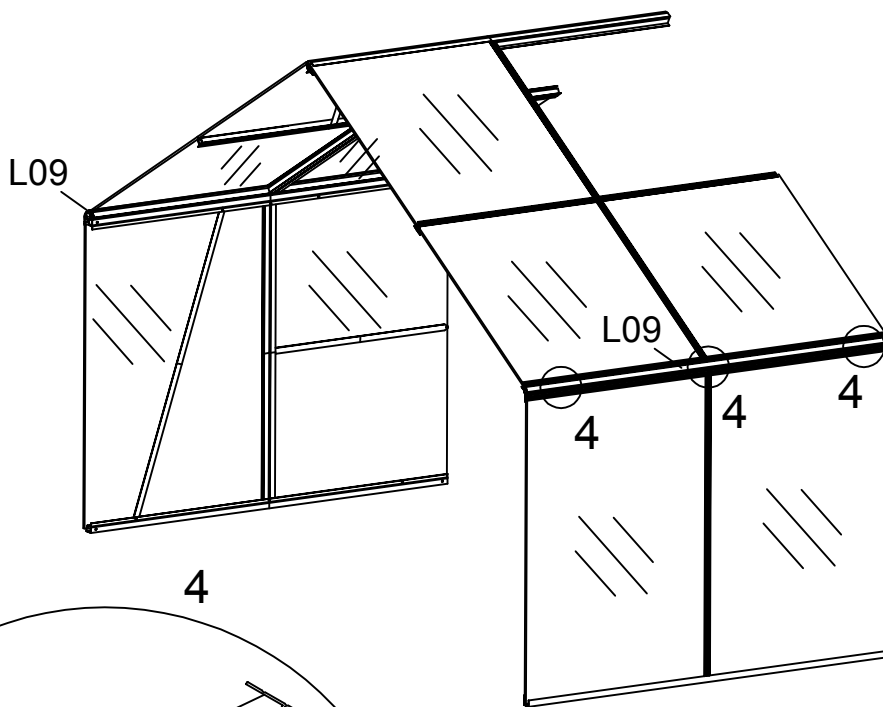
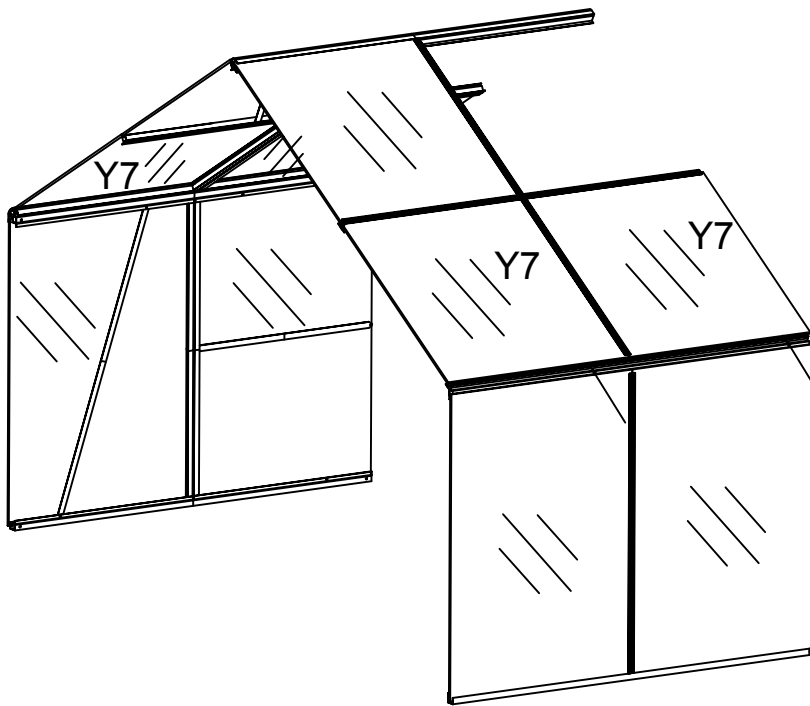
Roof Vent Assembly

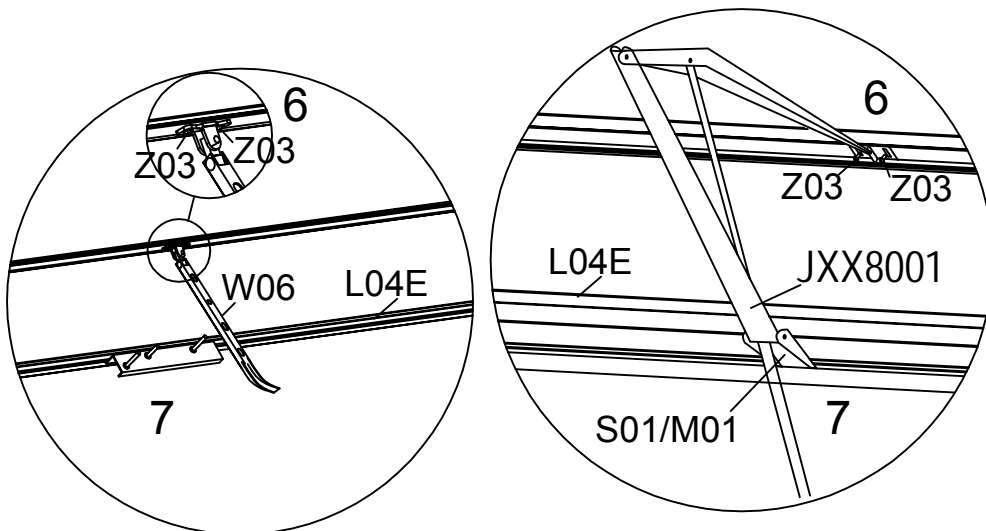
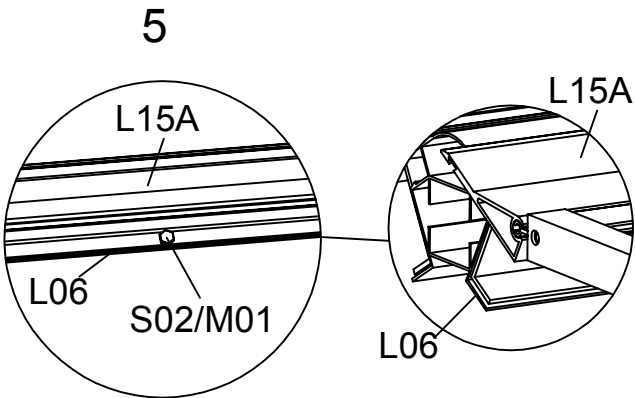
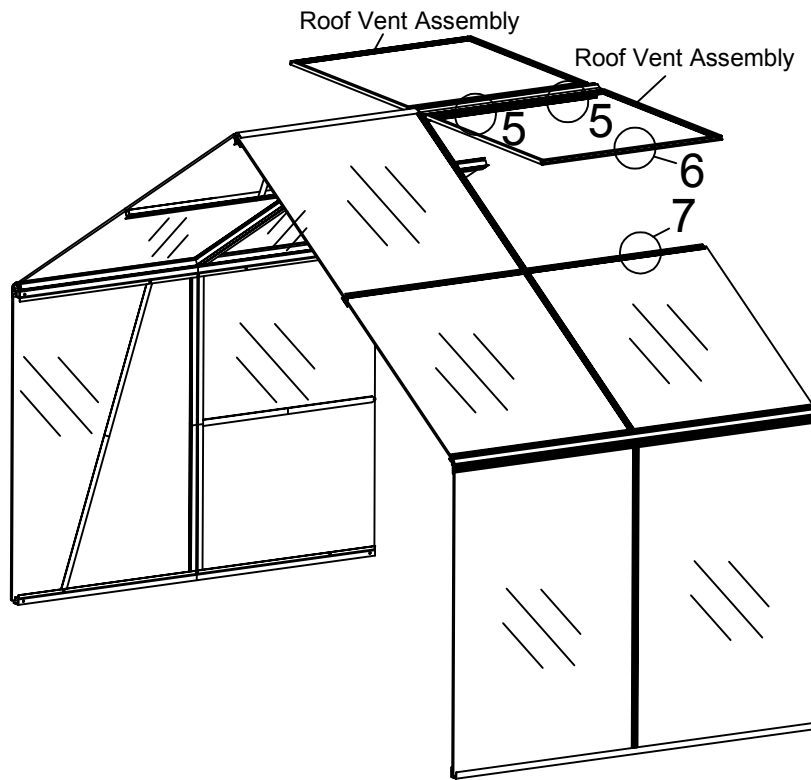


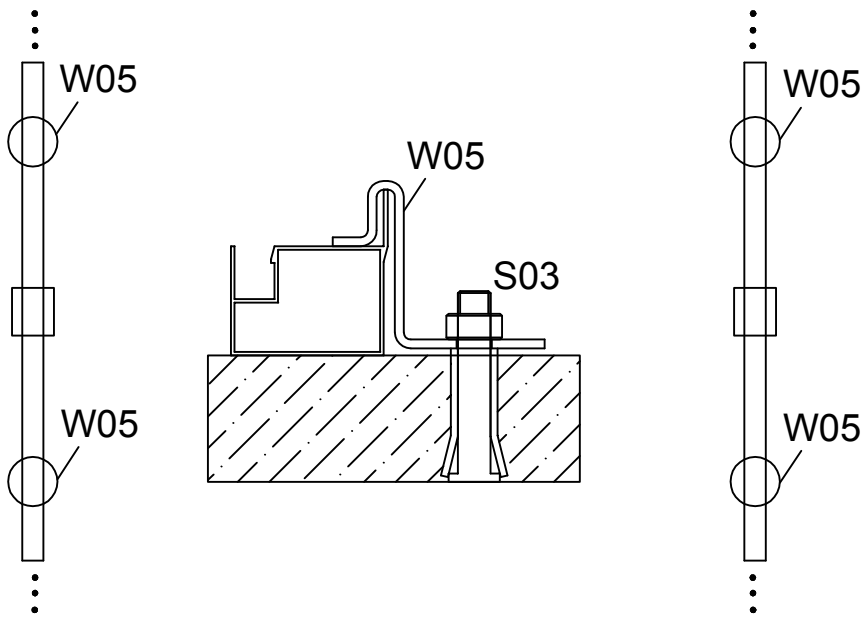



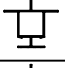
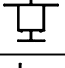

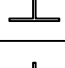
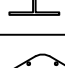


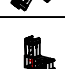





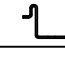






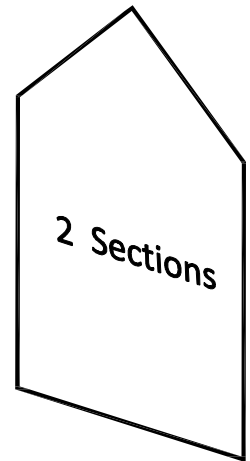
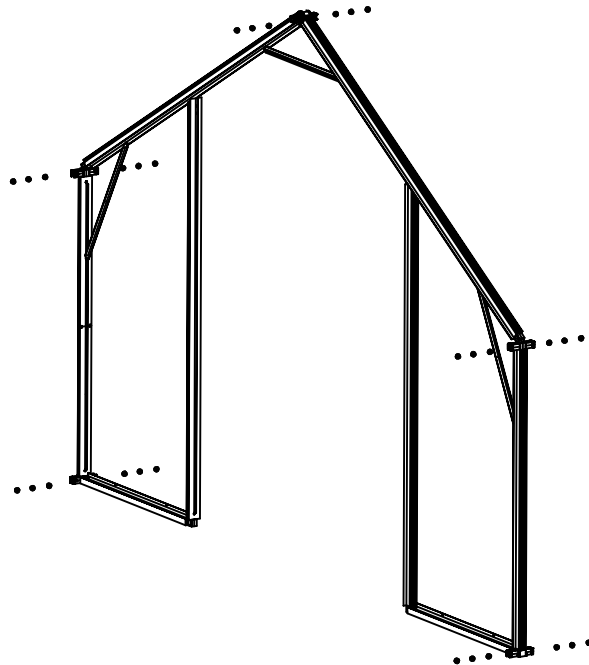
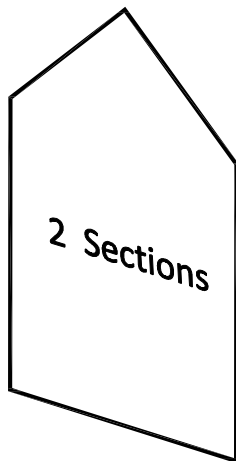


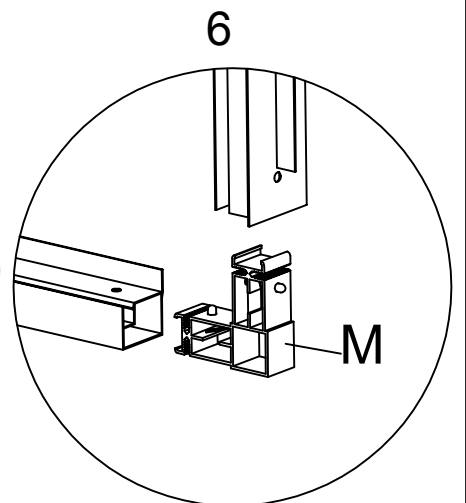
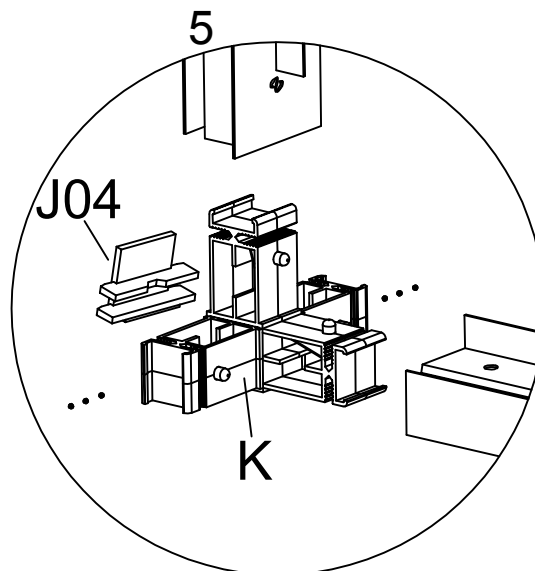
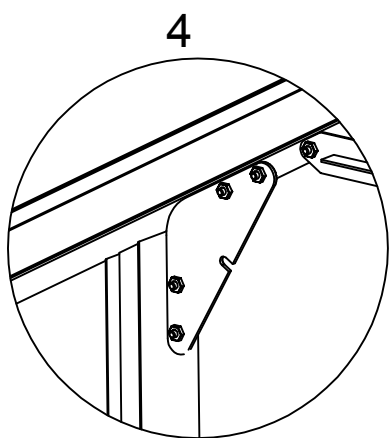
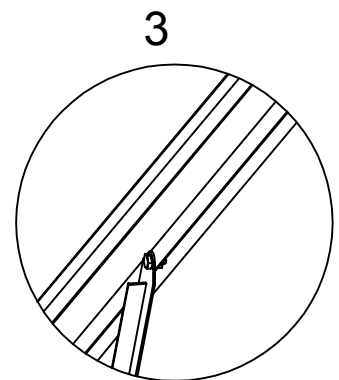
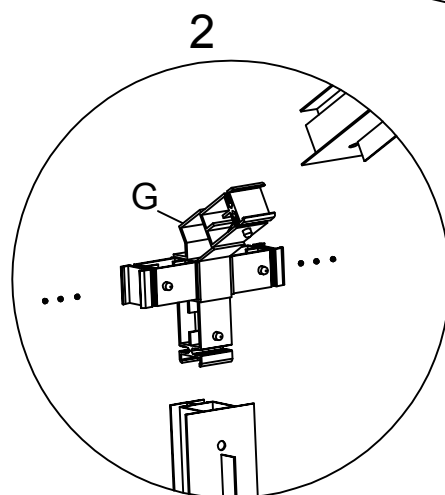
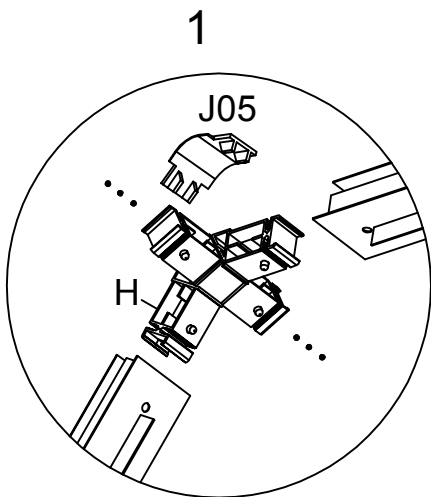
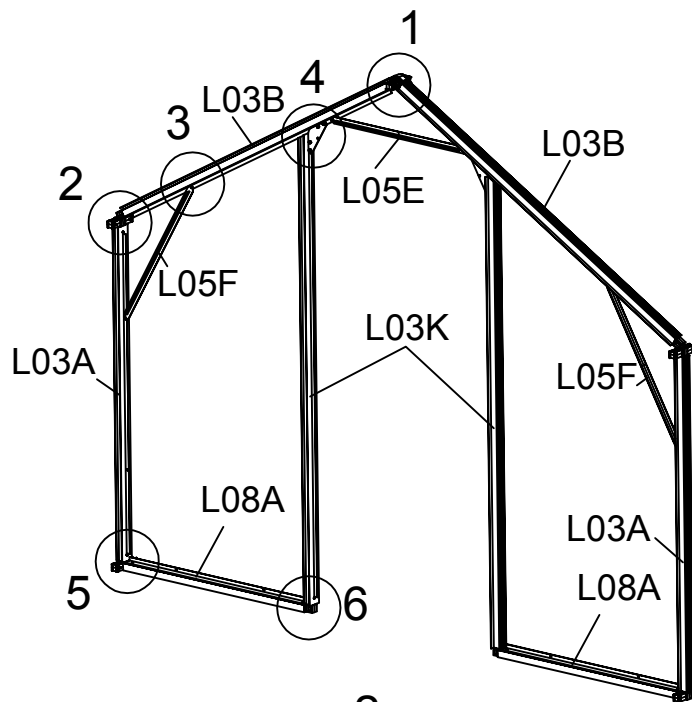


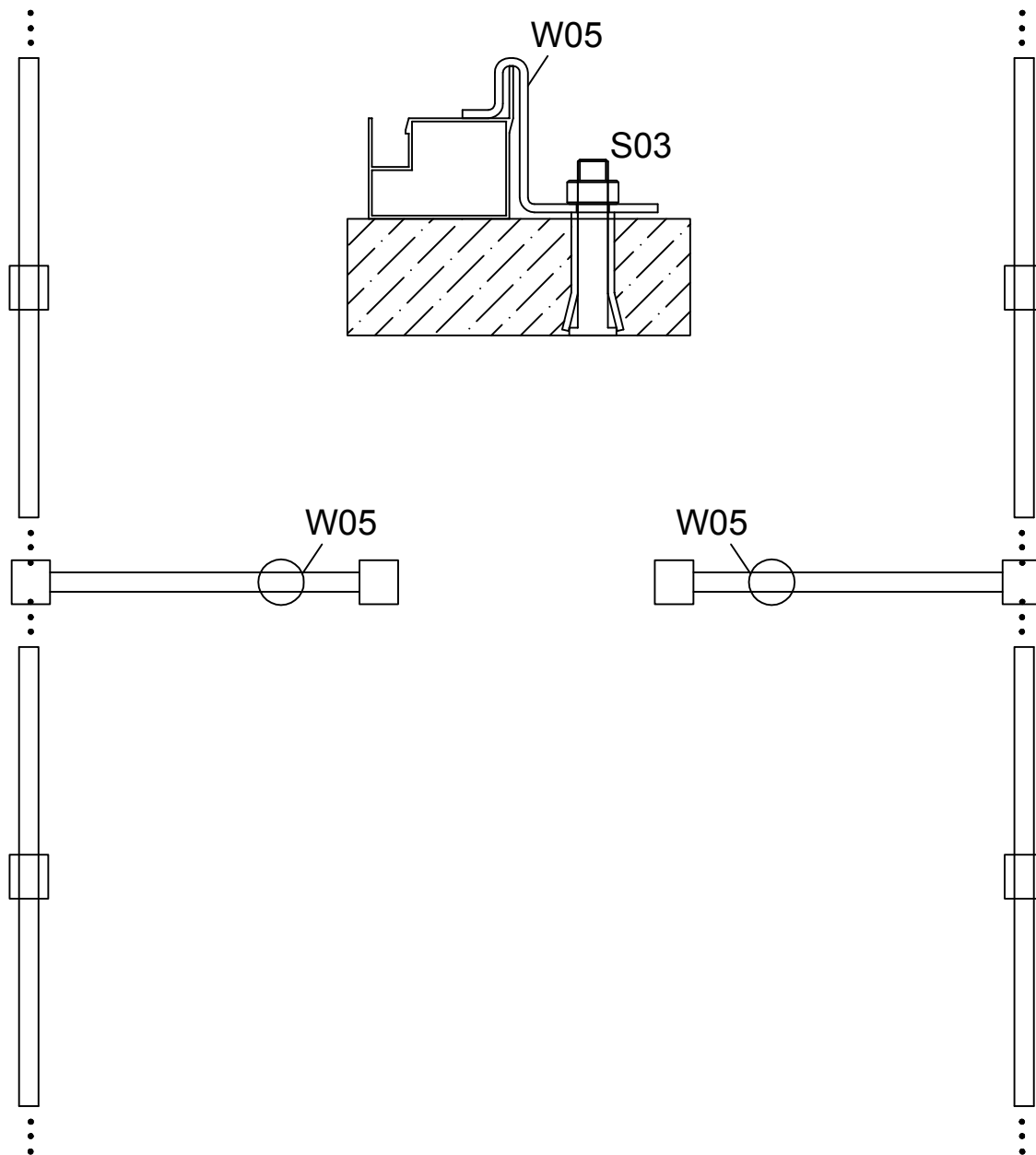


PART	NO.	QTY.
	L03A	2
	L03B	2
	L03K	2
	L08A	2
	L05E	1
	L05F	2
	W01	2
	G	2
	H	1
	K	2
	M	2
	S01	14
	M01	14
	J04	2
	J05	1
	W05	2
	S03	2

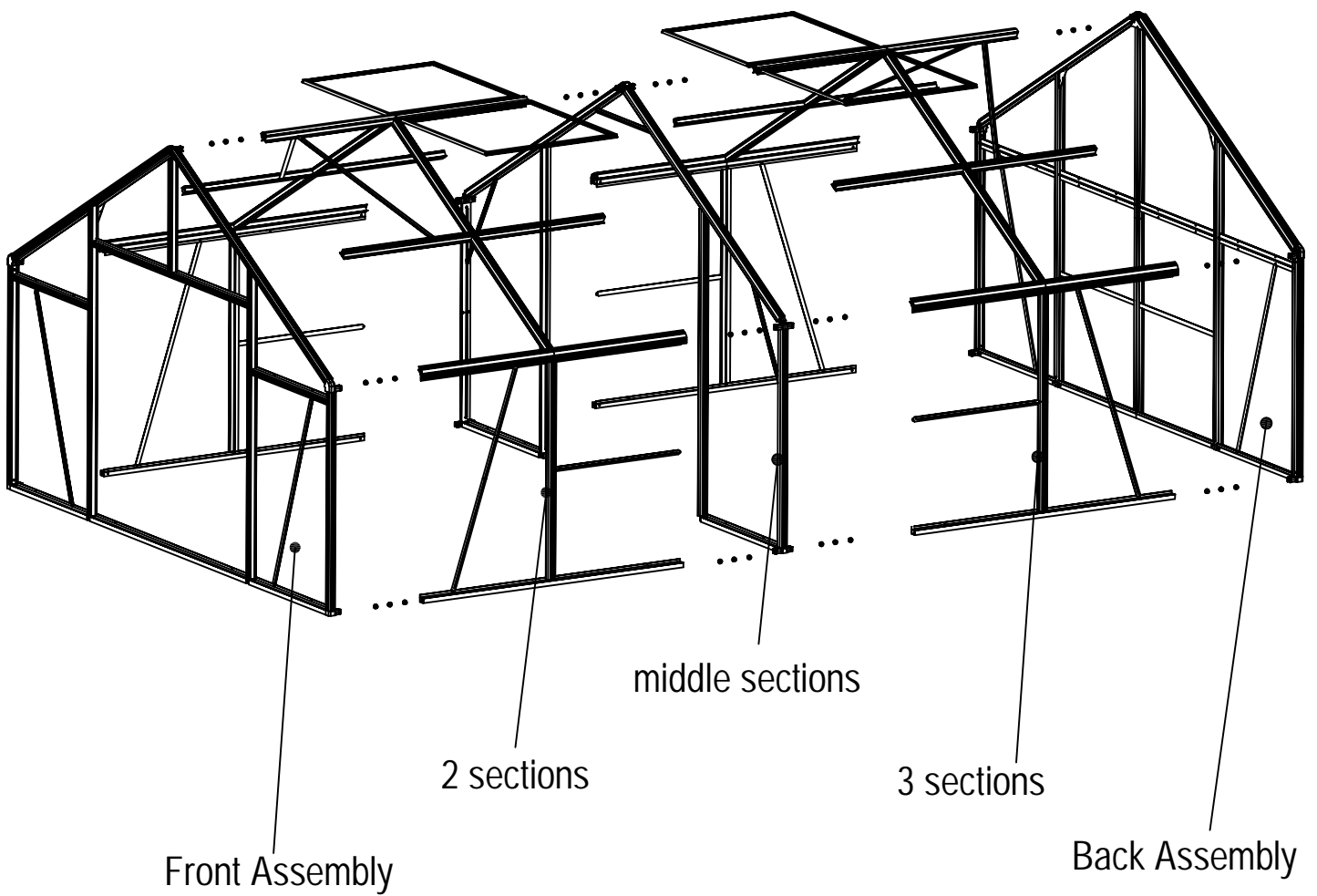
Middle Section Assembly Instruction

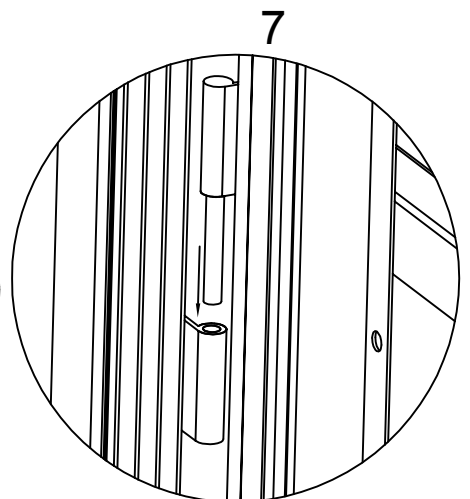
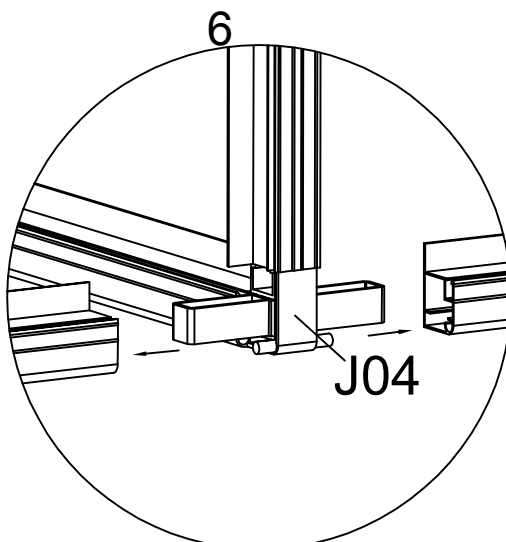
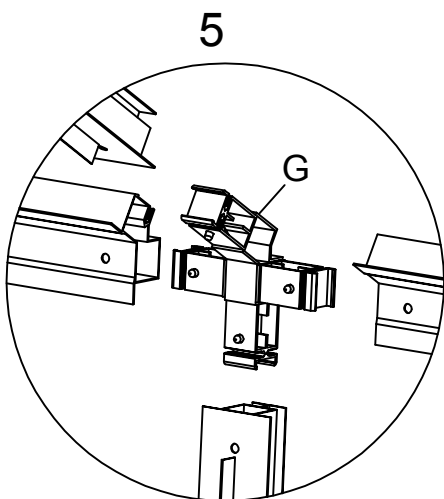
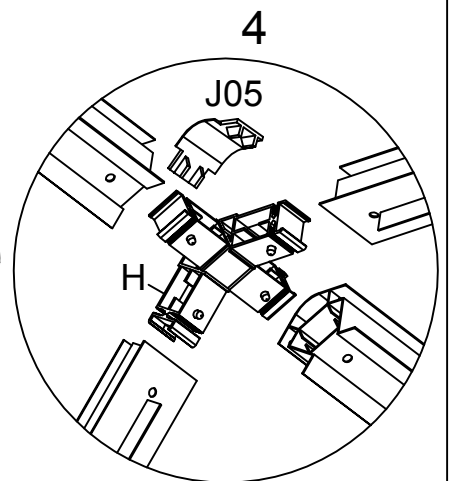
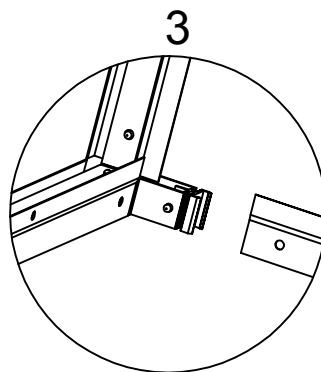
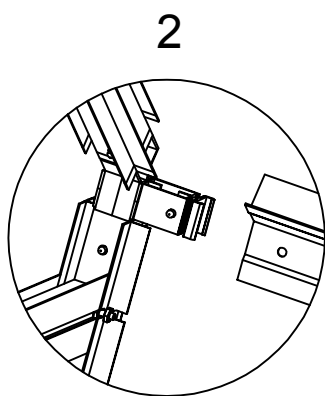
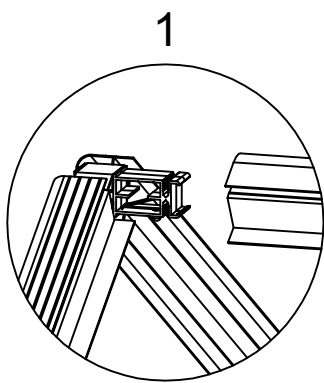
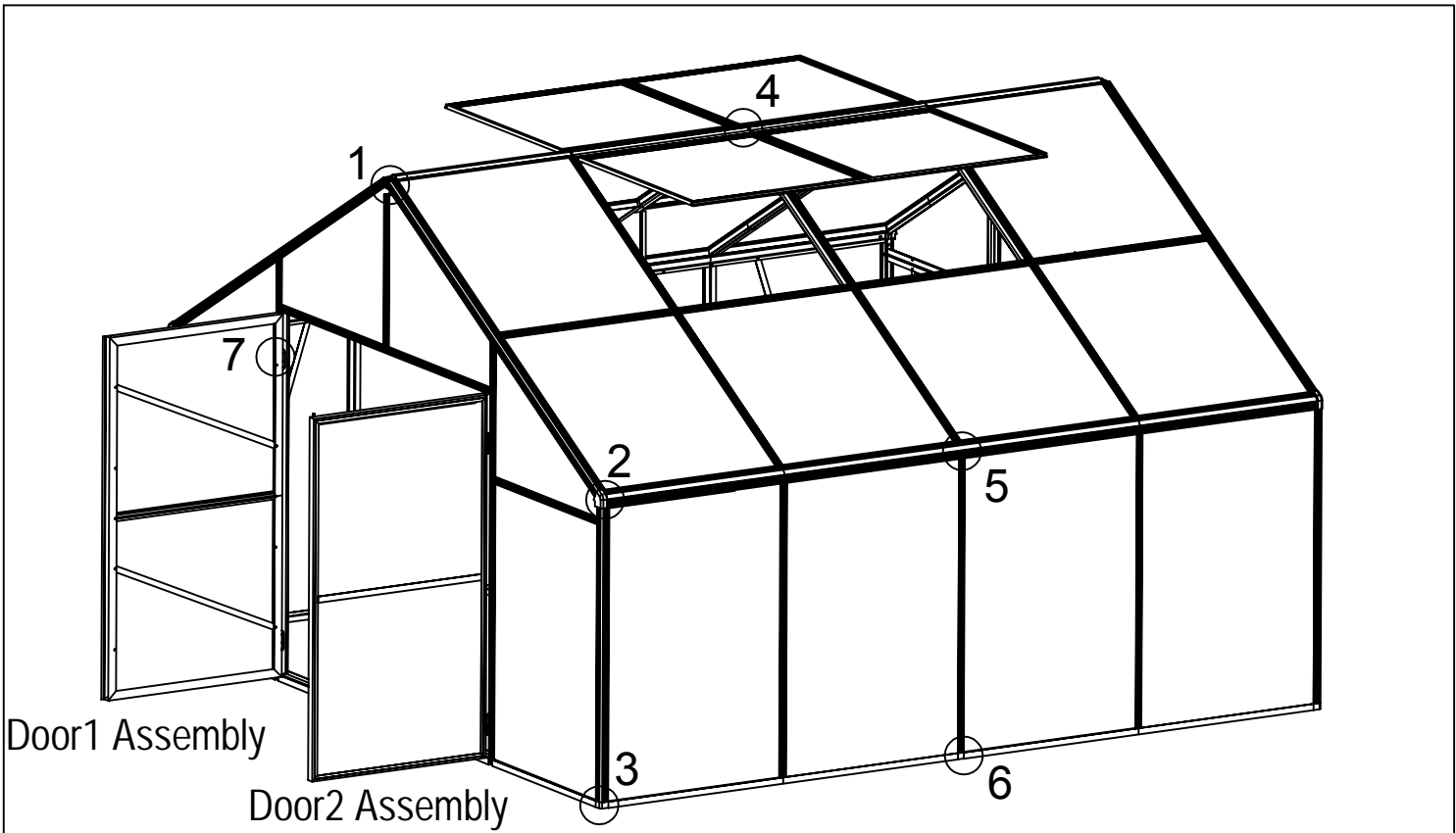


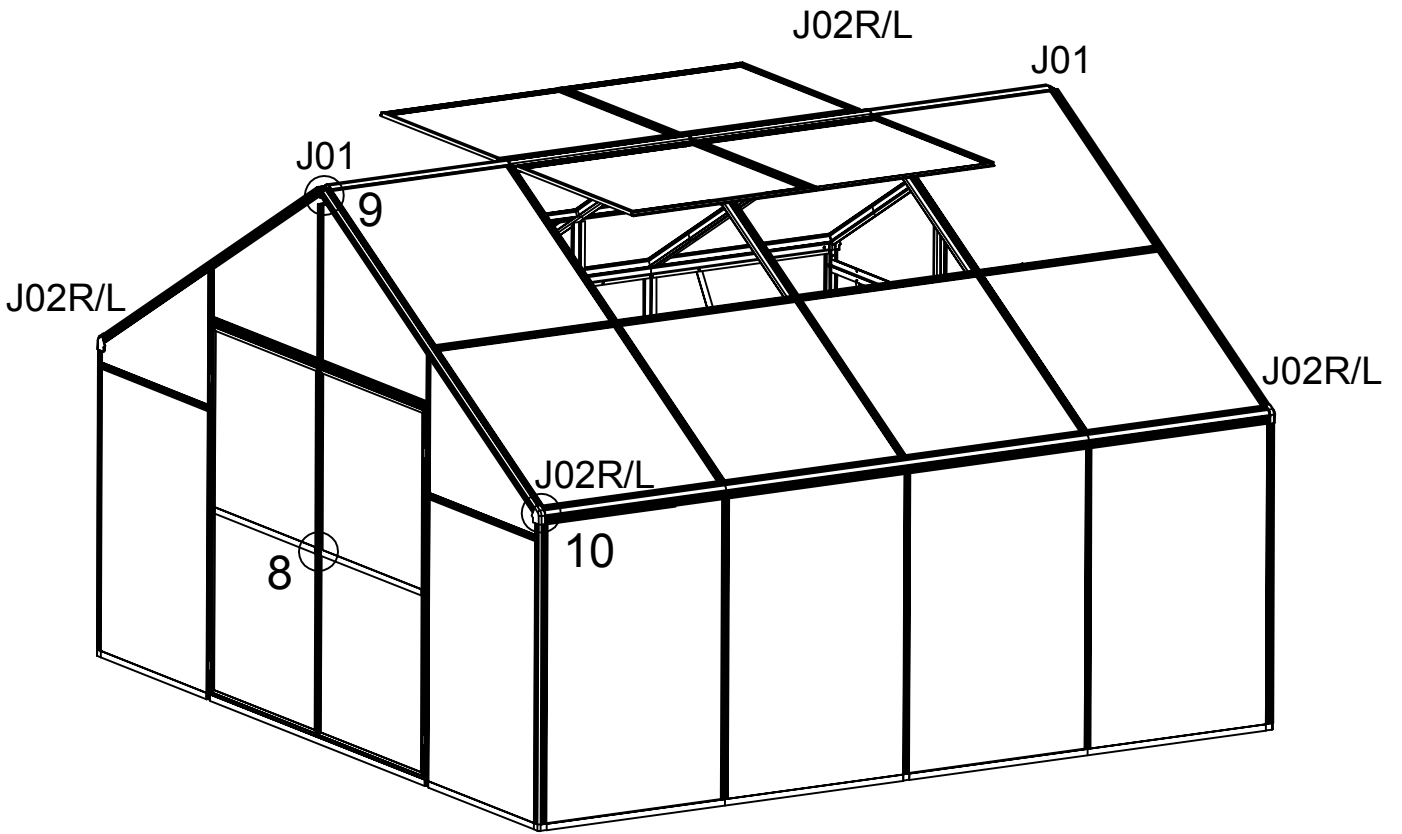




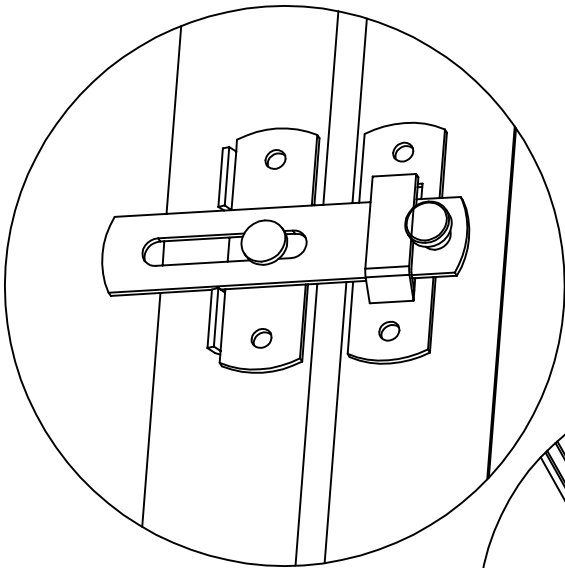
Example of JXX70404



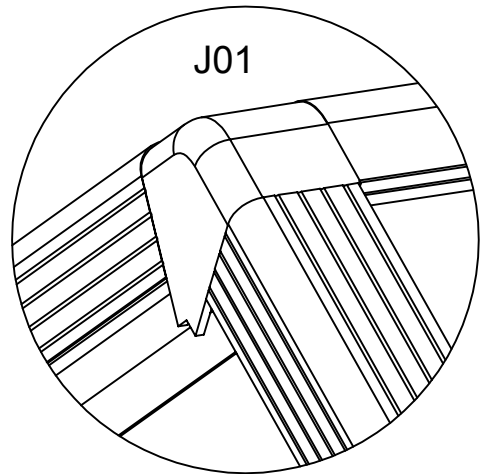




8



9



10

