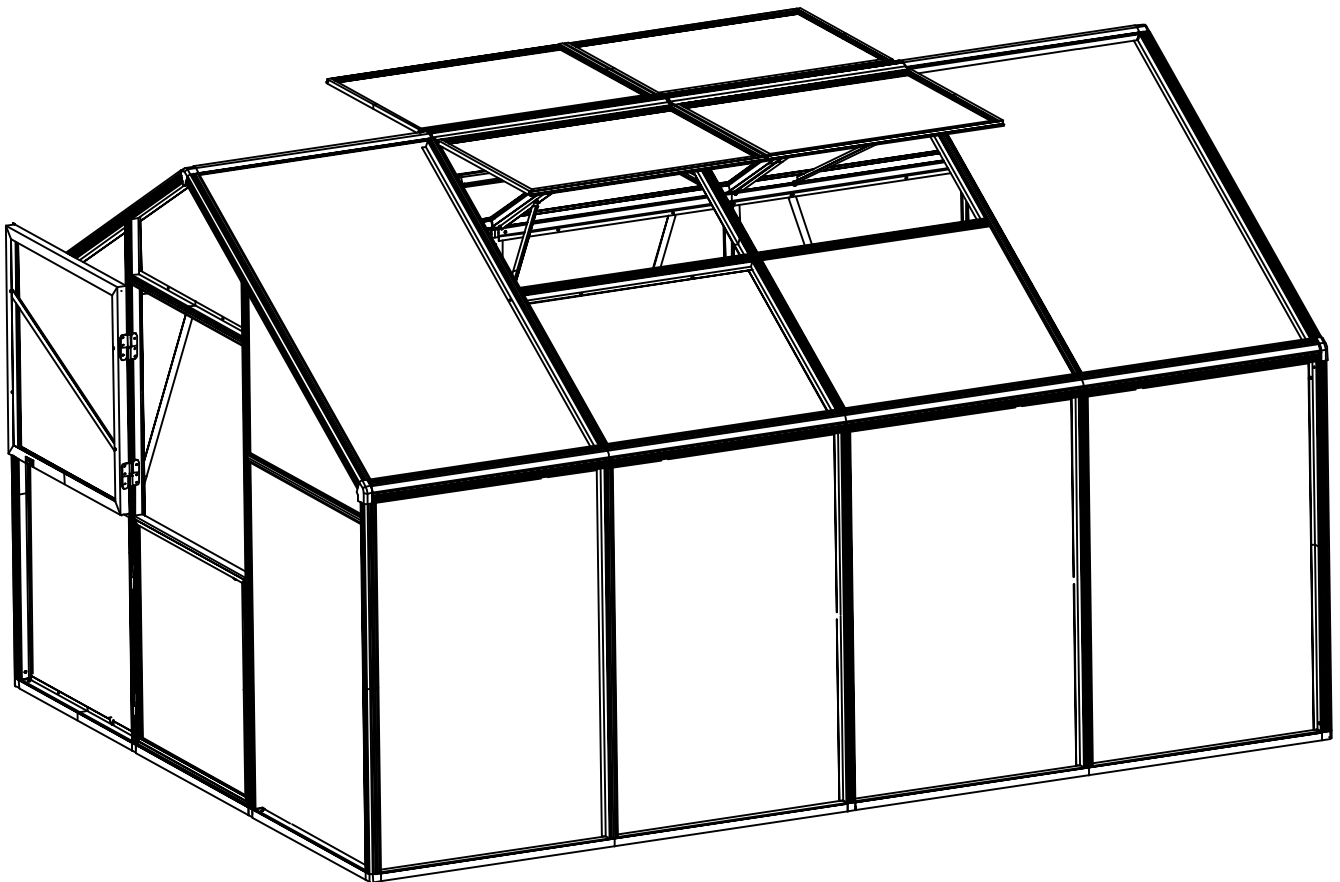


# Harvest Greenhouse

Assembly instruction



PRODUCT SIZE(LxWxH):Please refer to packing list  
PLEASE READ CAREFULLY BEFORE ASSEMBLY

# Product Introduction

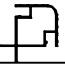
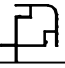

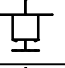
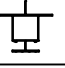
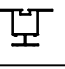
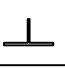


- 1.The Greenhouse is strong and stable.  
Assembly is simple, convenient and fast.
- 2.It is extensible according to customer's demand
- 3.Please make sure the PC panel the side with words faces out.

## Item No. & Packing List

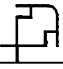
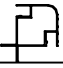

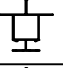
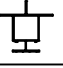
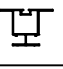
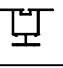


Specifications	Packing List				
	AL No.1	AL No.2	AL No.3	PC No.1	PC No.2
9'-10"x13'-1"x8'-0"10mmGH	1CTN <input type="checkbox"/>	1CTN <input type="checkbox"/>		1CTN <input type="checkbox"/>	2CTNS <input type="checkbox"/>
9'-10"x19'-8"x8'-0"10mmGH	1CTN <input type="checkbox"/>	1CTN <input type="checkbox"/>	1CTN <input type="checkbox"/>	1CTN <input type="checkbox"/>	3CTNS <input type="checkbox"/>
9'-10"x26'-3"x8'-0"10mmGH	1CTN <input type="checkbox"/>	1CTN <input type="checkbox"/>	2CTNS <input type="checkbox"/>	1CTN <input type="checkbox"/>	4CTNS <input type="checkbox"/>

# AL No.1


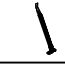
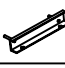














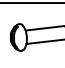
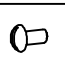







## Back Assembly

PART	NO.	QTY.
	L01A	2
	L01B	1
	L01C	1
	L03C	1
	L03D	1
	L04B	3
	L05A	2
	L05B	1
	L08A	3







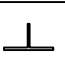
## Front Assembly

PART	NO.	QTY.
	L01A	2
	L01B	1
	L01C	1
	L03E	1
	L03F	1
	L04B	2
	L04A	1
	L05A	2
	L08A	3

## PARTS


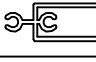

PART	NO.	QTY.
	W01	4
	W06	4
	W08	4
	A	2
	B	2
	C	6
	D	2
	E	2
	F	2
	G	2
	H	1
	J	8
	S01	100
	S02	8
	M01	108
	Z01	16
	Z02	24
	Z03	12
	Z04	8
	J01	2
	J02R/L	2/2
	J03R/L	2/2
	J04	6
	J05	1
	W05	13
	S03	13

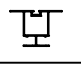
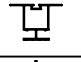
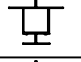
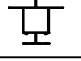
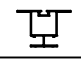
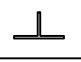
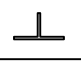
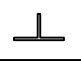
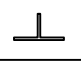




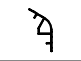


## Door Assembly

PART	NO.	QTY.
	L18A	2
	L18B	2
	L18C	1
	L16A	1
	L16B	1
	L16C	1
	L05G	2

# AL No.2




## Roof Vent Assembly

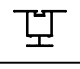
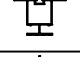
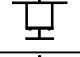
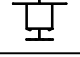
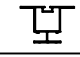

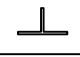
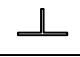


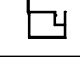
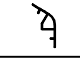


PART	NO.	QTY.
	L19	8
	L20	4
	L21	4

PART	NO.	QTY.
	L02A	4
	L02B	4
	L03A	2
	L03B	2
	L04E	4
	L05B	4
	L05C	4
	L05D	4
	L05E	1
	L05F	2
	L06	2
	L07	4
	L08B	4
	L09	4
	L15A	2
	L15B	2
















# AL No.3

## Roof Vent Assembly

PART	NO.	QTY.
	L19	4
	L20	2
	L21	2

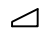


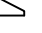


PART	NO.	QTY.
	L02A	2
	L02B	2
	L03A	2
	L03B	2
	L04E	2
	L05B	6
	L05E	1
	L05F	2
	L06	1
	L07	2
	L08B	2
	L09	2
	L15A	1
	L15B	1

## PARTS

PART	NO.	QTY.
	W06	2
	W08	2
	C	2
	G	2
	H	1
	S01	34
	S02	4
	M01	38
	Z02	12
	Z03	6
	Z04	4
	J04	2
	J05	1
	W05	4
	S03	4



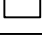
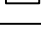
# PC No.1











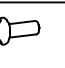

Polycarbonate

PART	NO.	QTY.
	Y1	2
	Y2	5
	Y3	1
	Y4	2
	Y5	1
	Y11	2

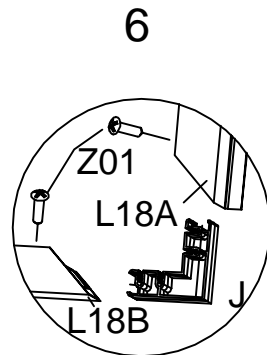
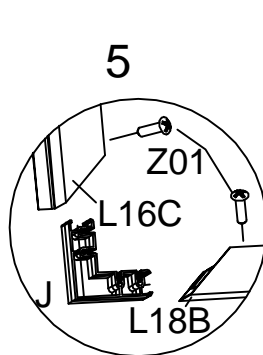
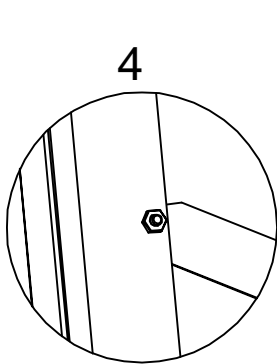
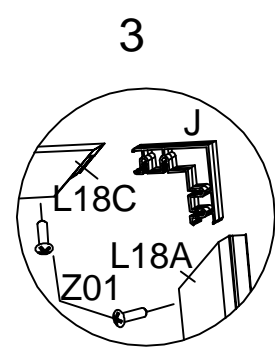
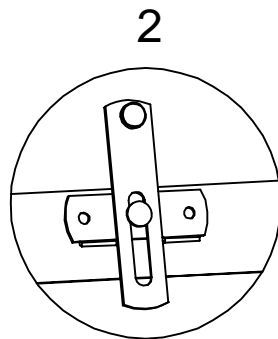
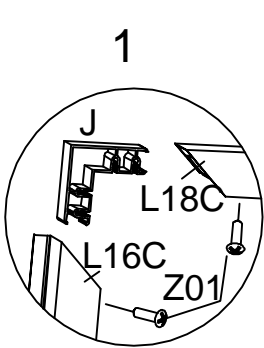
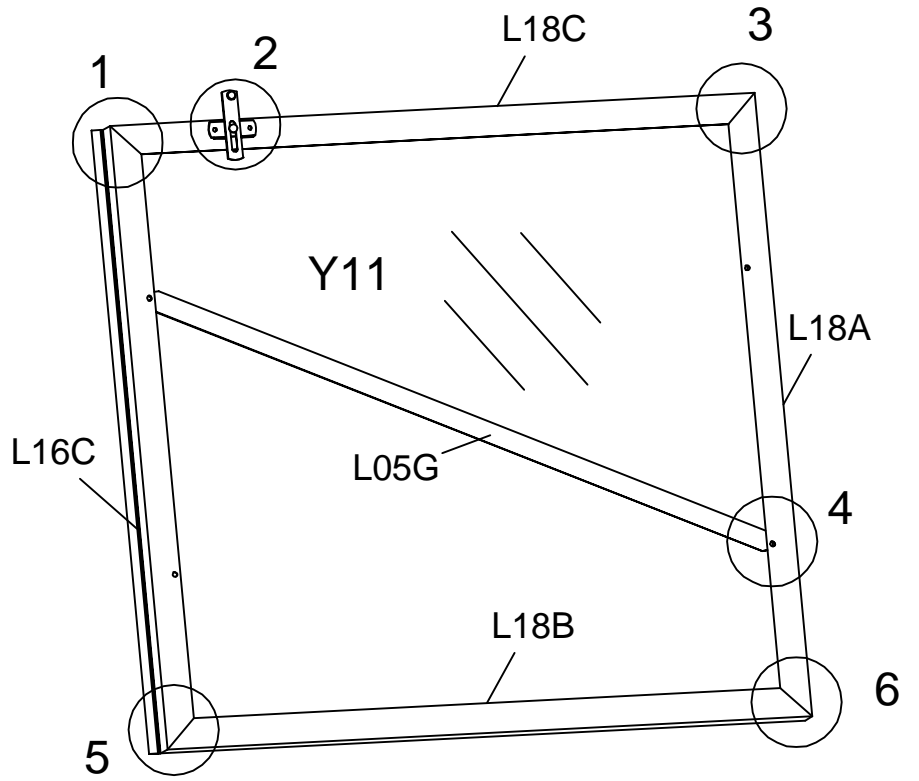
# PC No.2

Polycarbonate

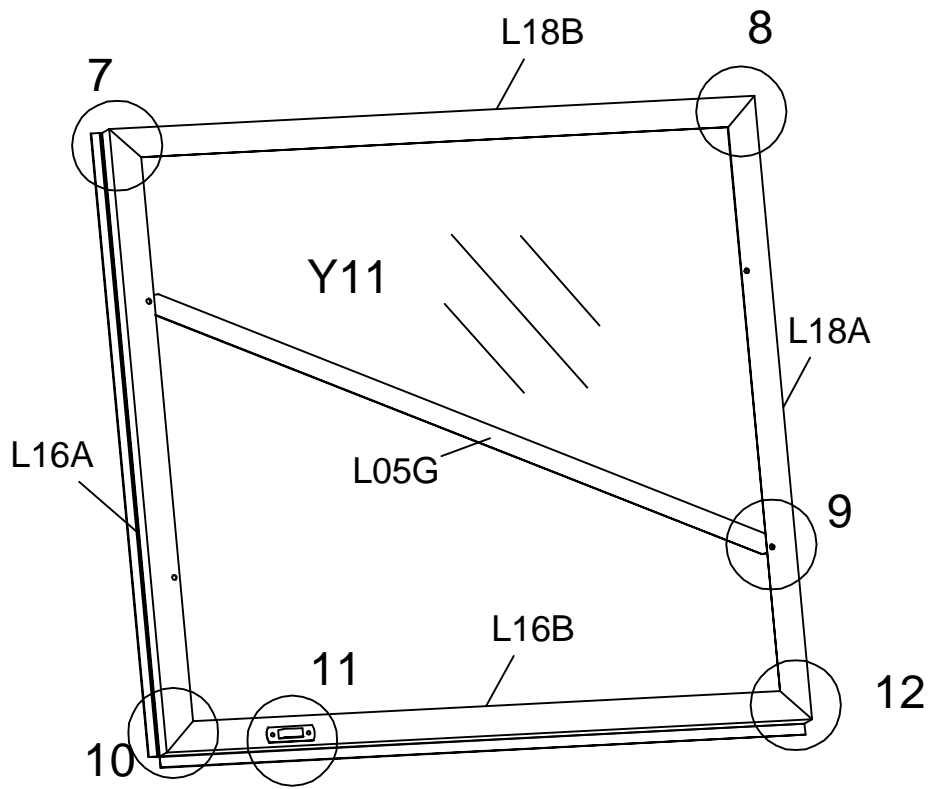
PART	NO.	QTY.
	Y6	4
	Y7	2
	Y9	2
	Y10	2

PART	NO.	QTY.
	L18A	2
	L18B	2
	L18C	1
	L16A	1
	L16B	1
	L16C	1
	L05G	2
	J	8
	S01	4
	M01	4
	Z01	16
	Y11	2

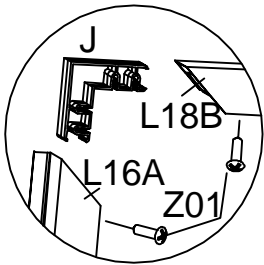
### Door1 Assembly



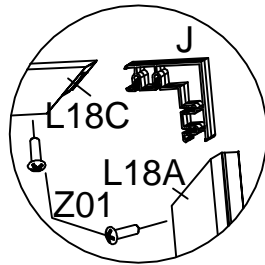
# Door2 Assembly



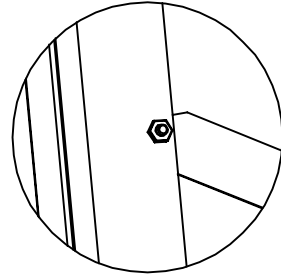
7



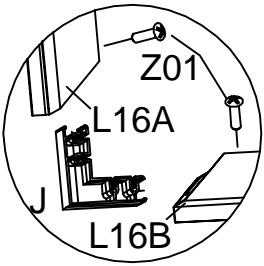
8



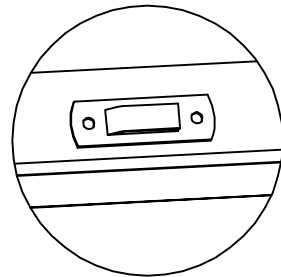
9



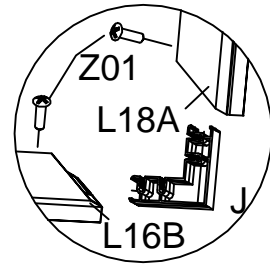
10




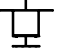
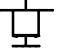





















11

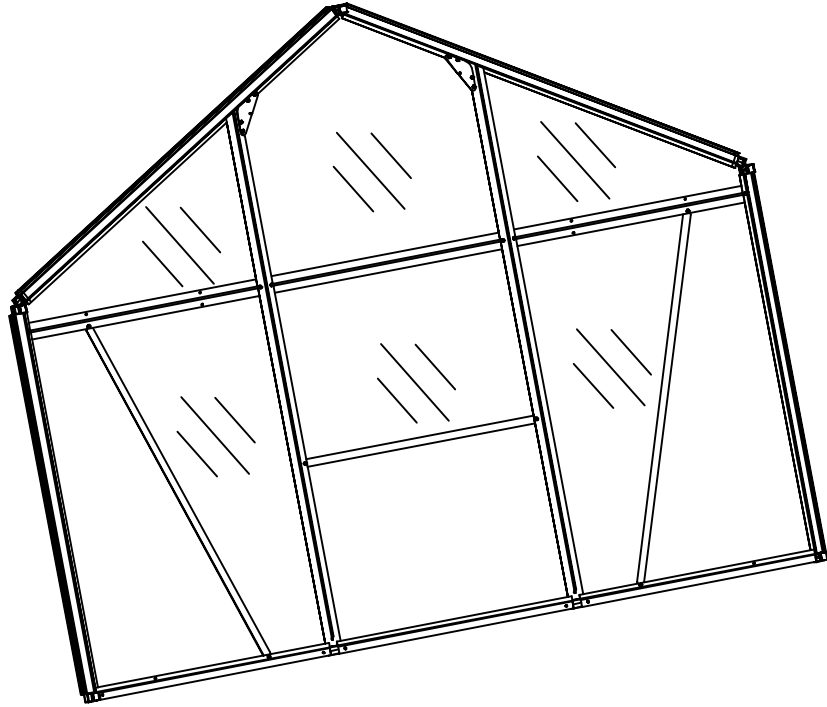


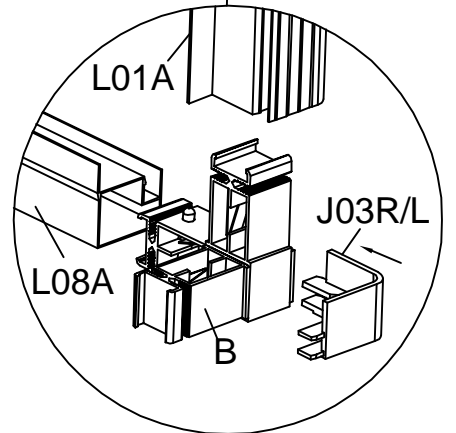
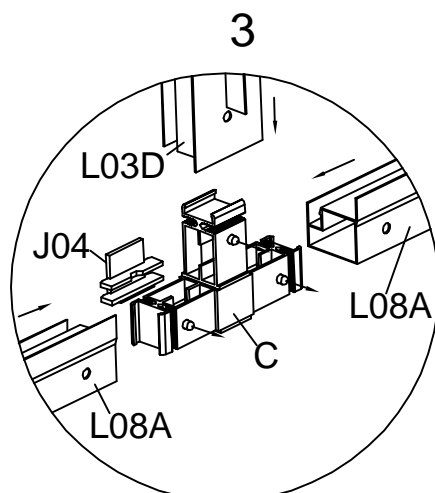
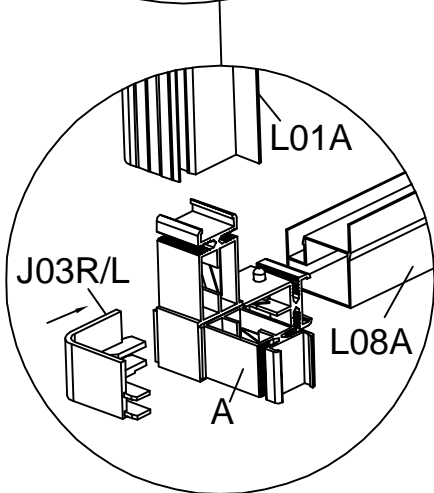
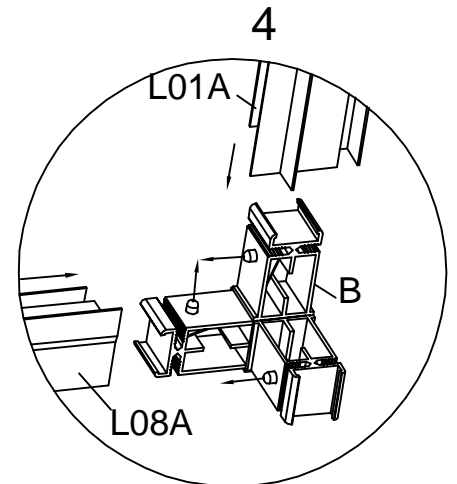
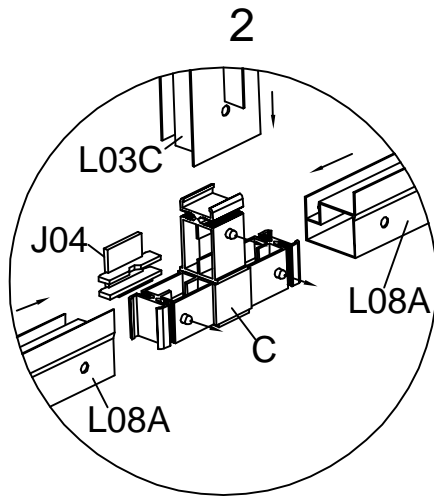
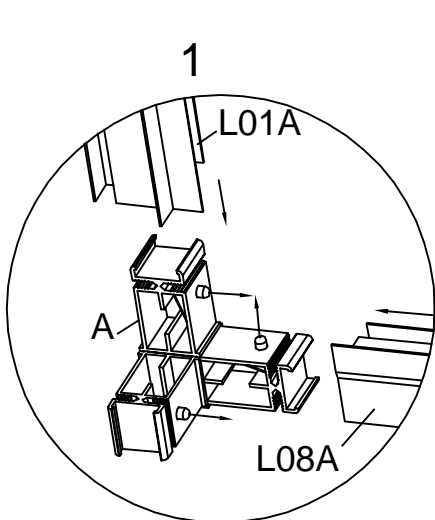
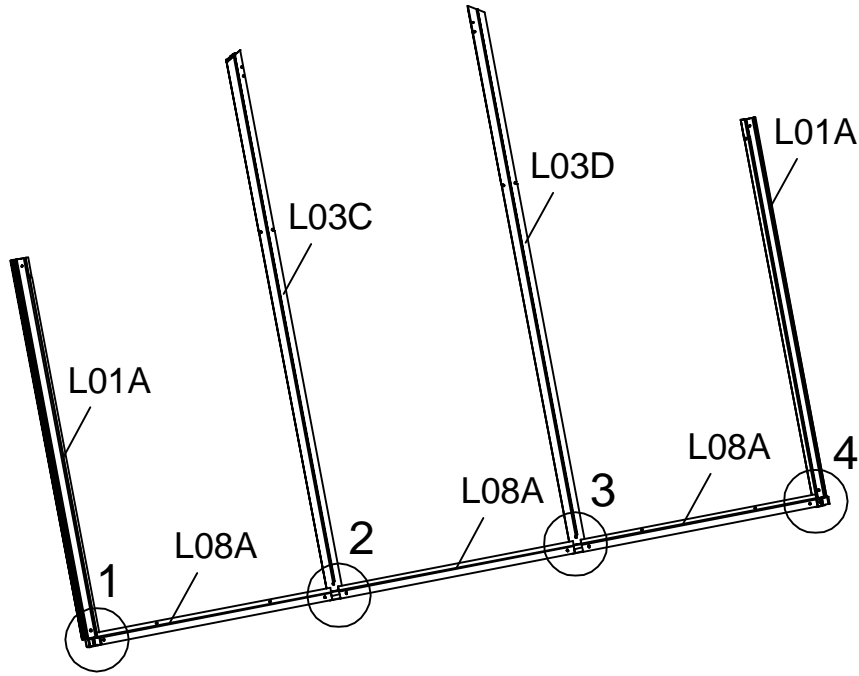
12

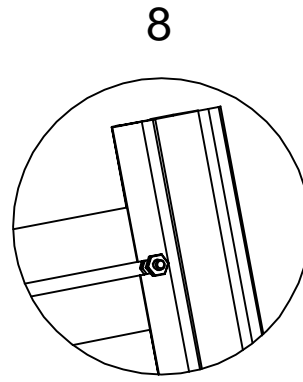
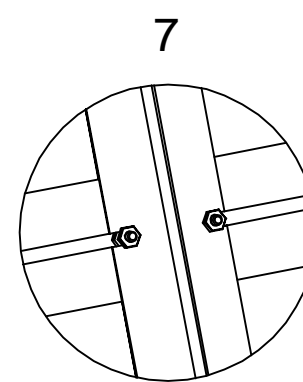
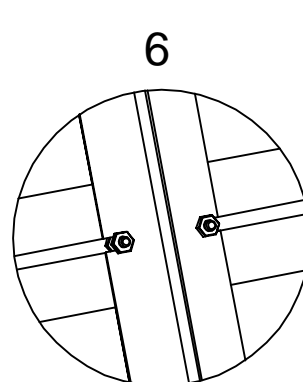
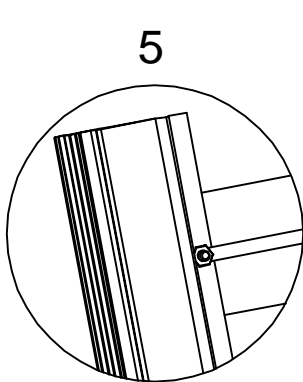
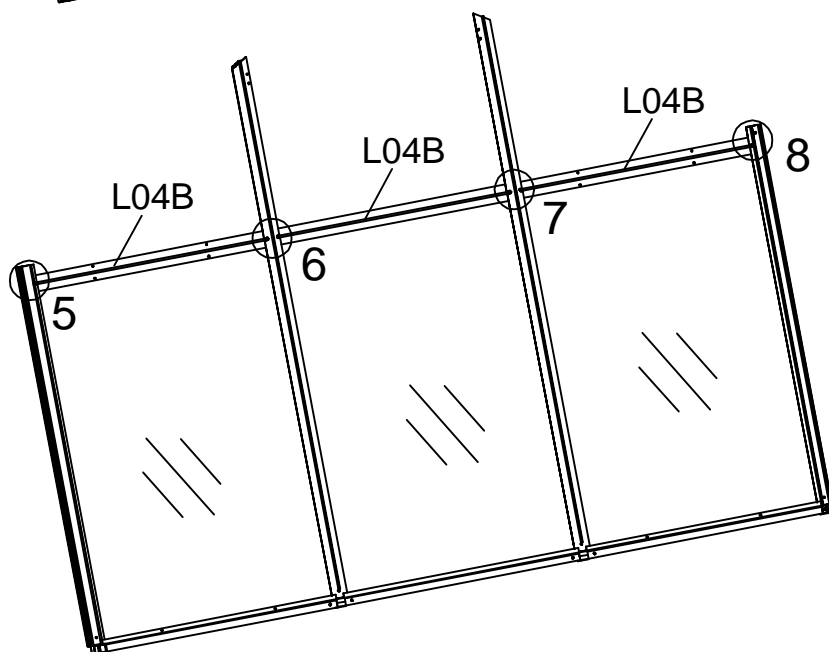
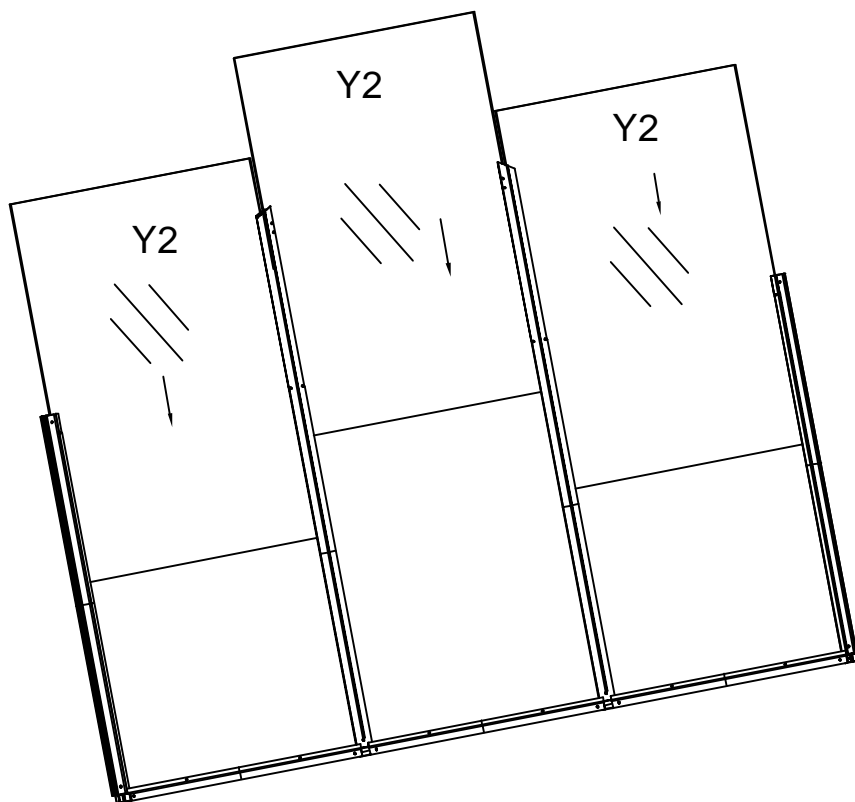


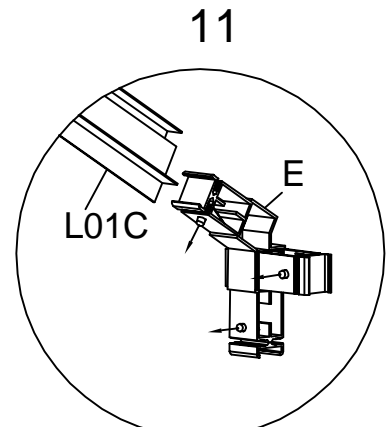
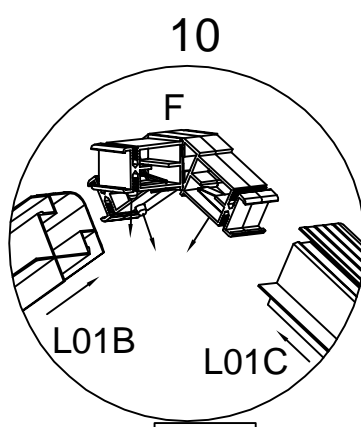
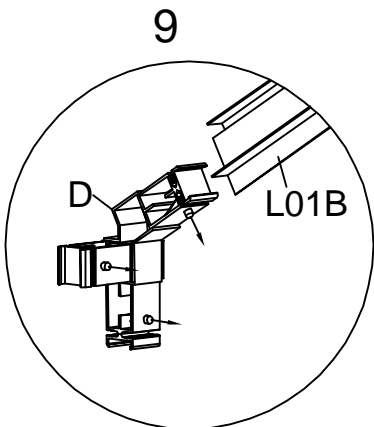
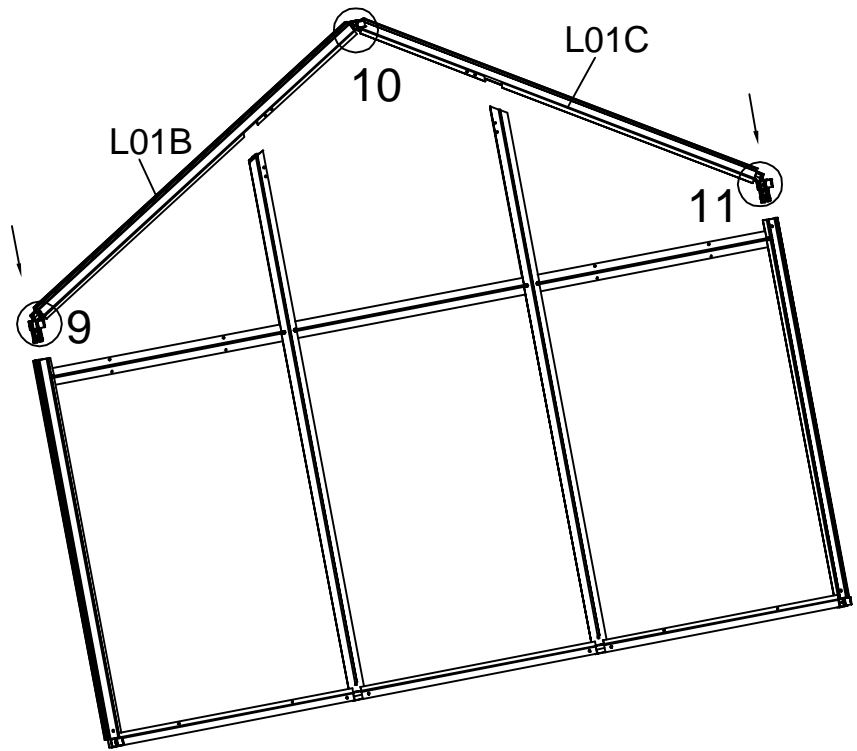
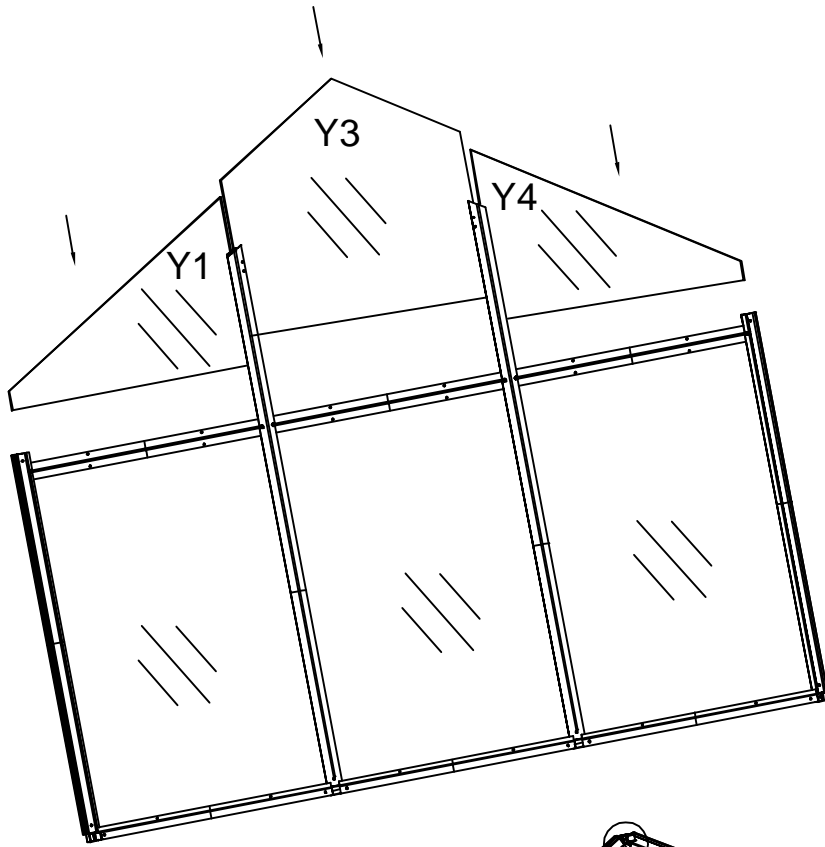
PART	NO.	QTY.
	L01A	2
	L01B	1
	L01C	1
	L03C	1
	L03D	1
	L04B	3
	L05A	2
	L05B	1
	L08A	3
	A	1
	B	1
	C	2
	D	1
	E	1
	F	1
	W01	2
	S01	20
	M01	20
	J03R/L	1/1
	J04	2
	Y1	1
	Y2	3
	Y3	1
	Y4	1

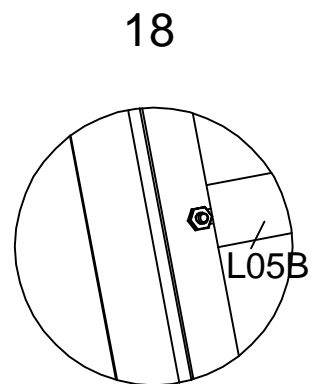
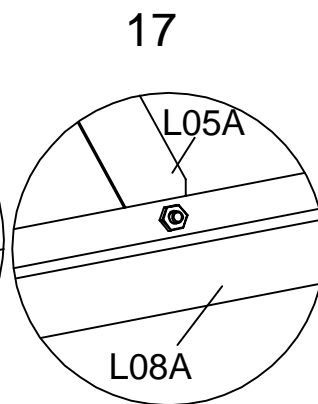
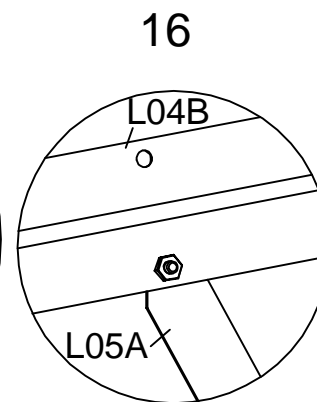
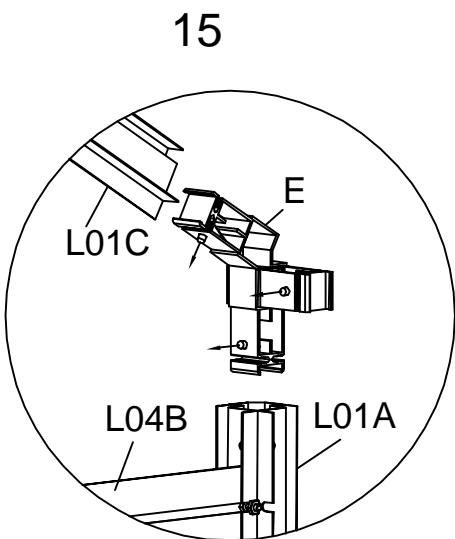
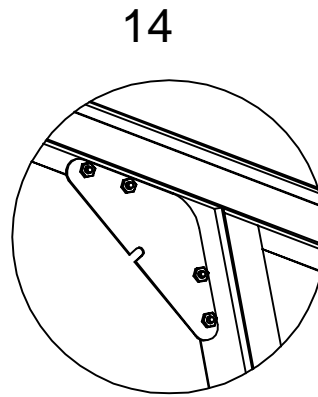
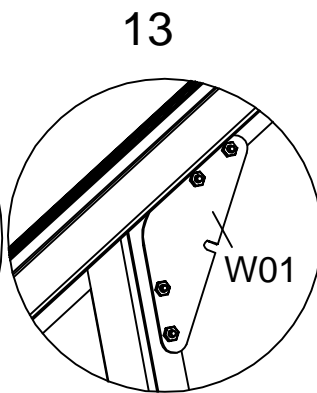
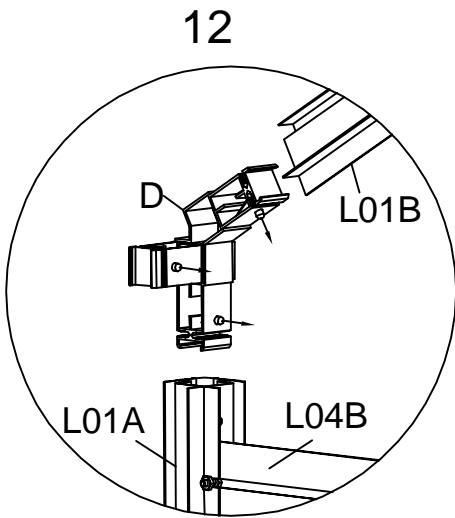
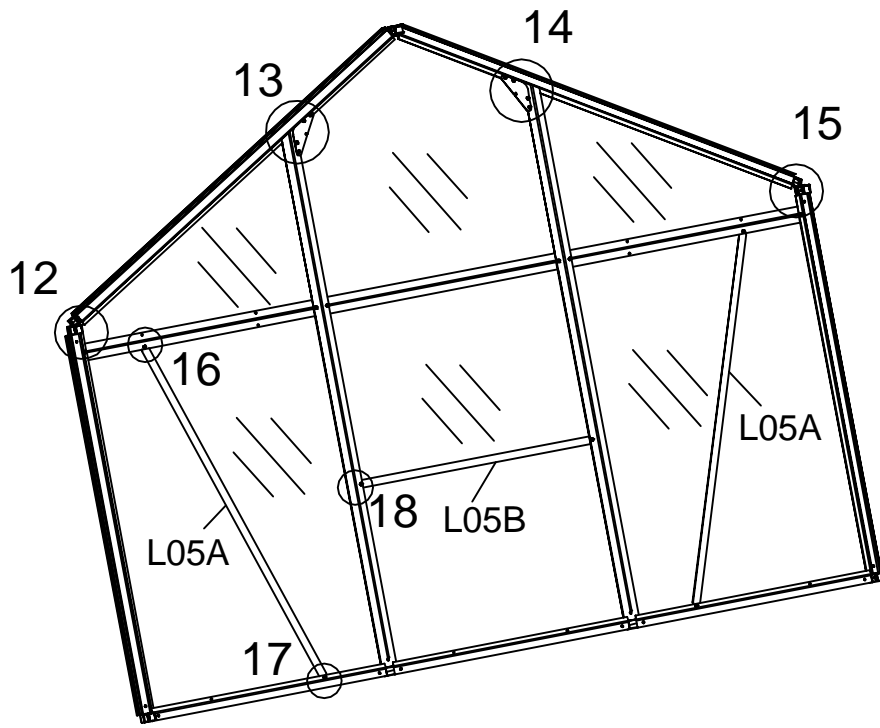
### Back Assembly

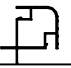
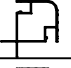
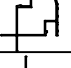
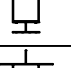
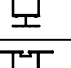
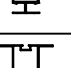
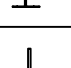
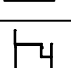




















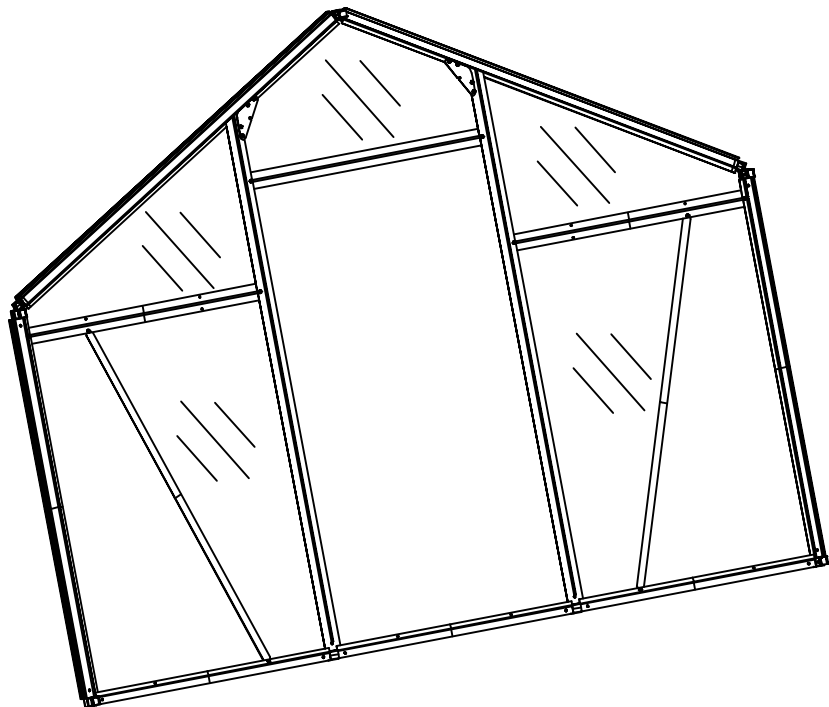


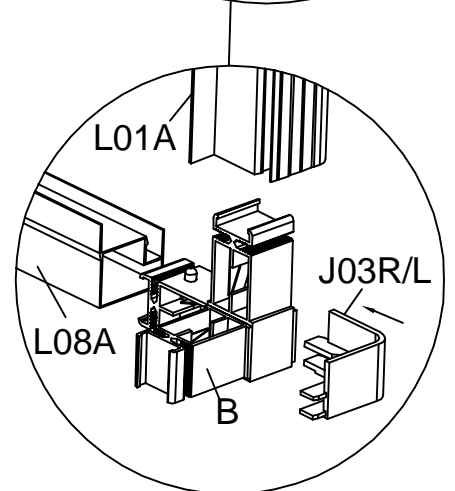
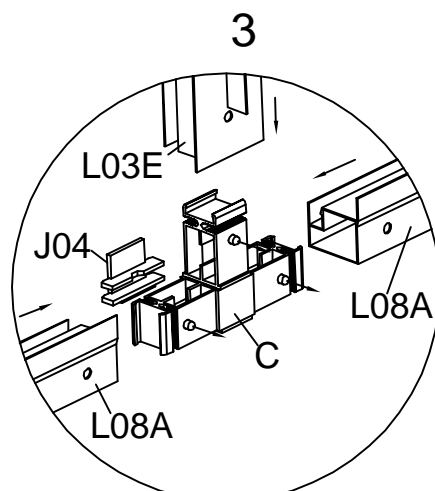
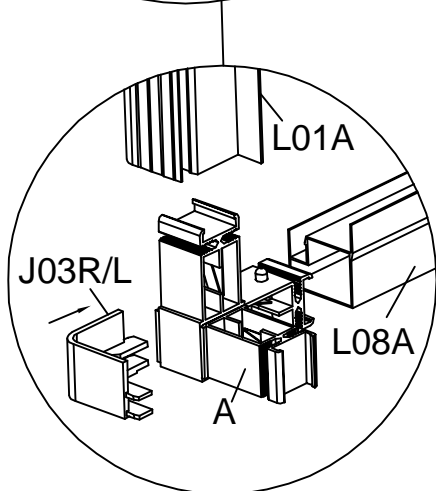
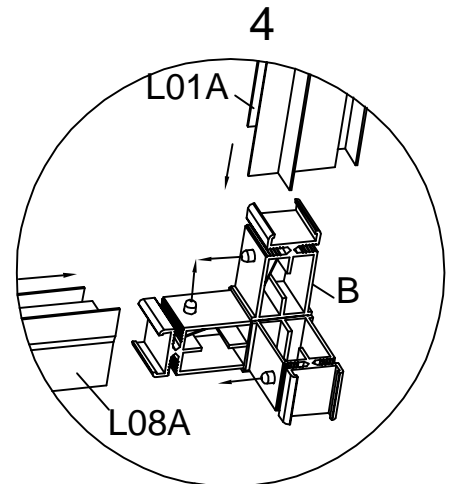
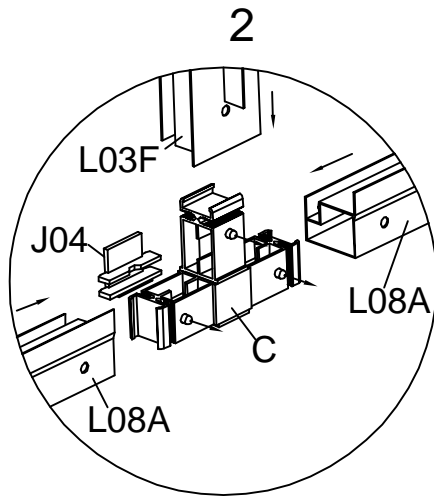
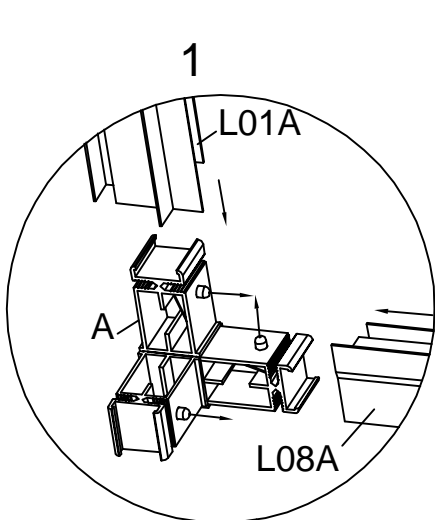
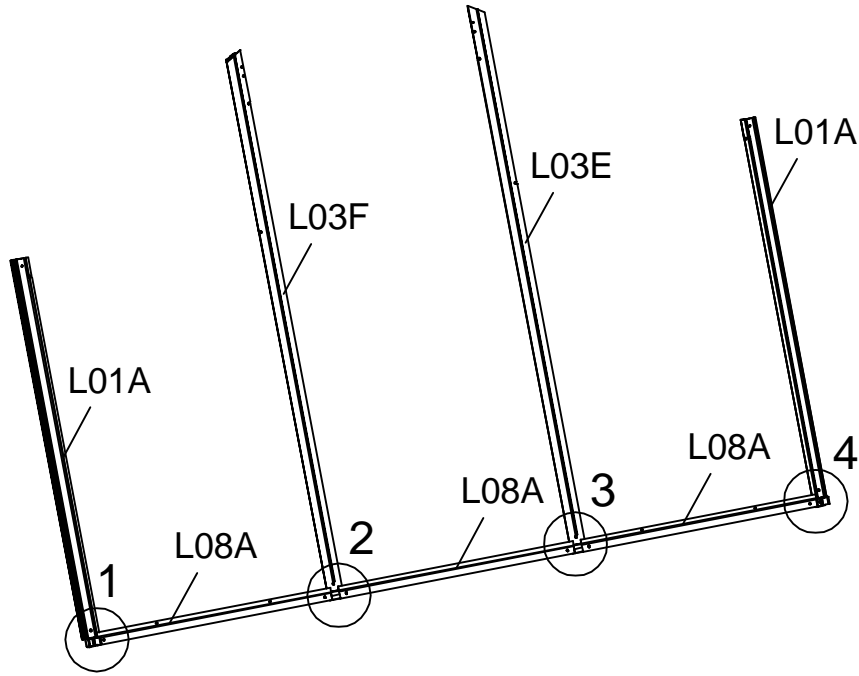


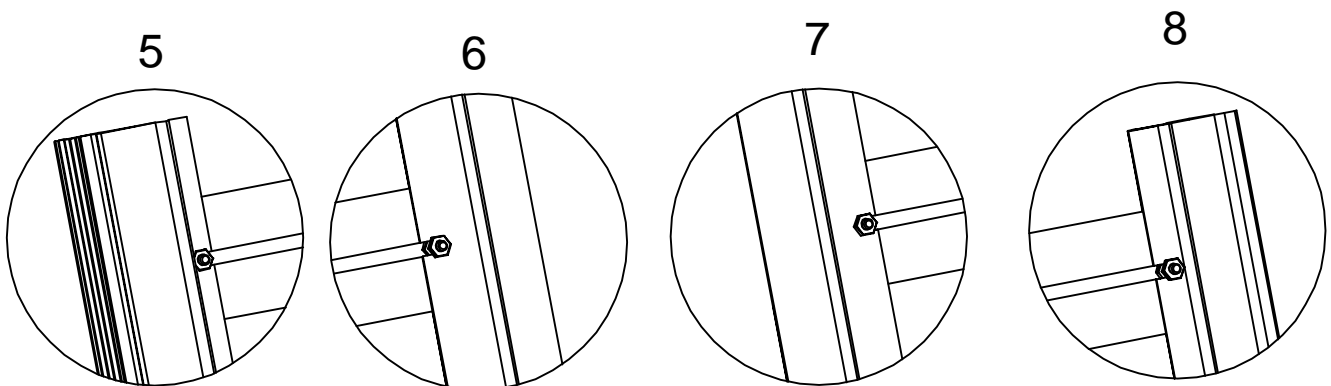
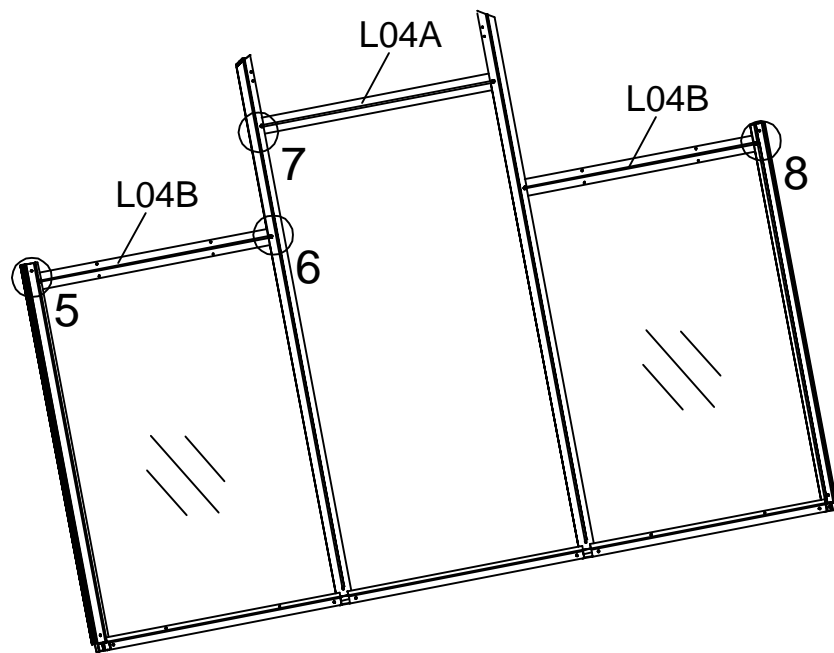
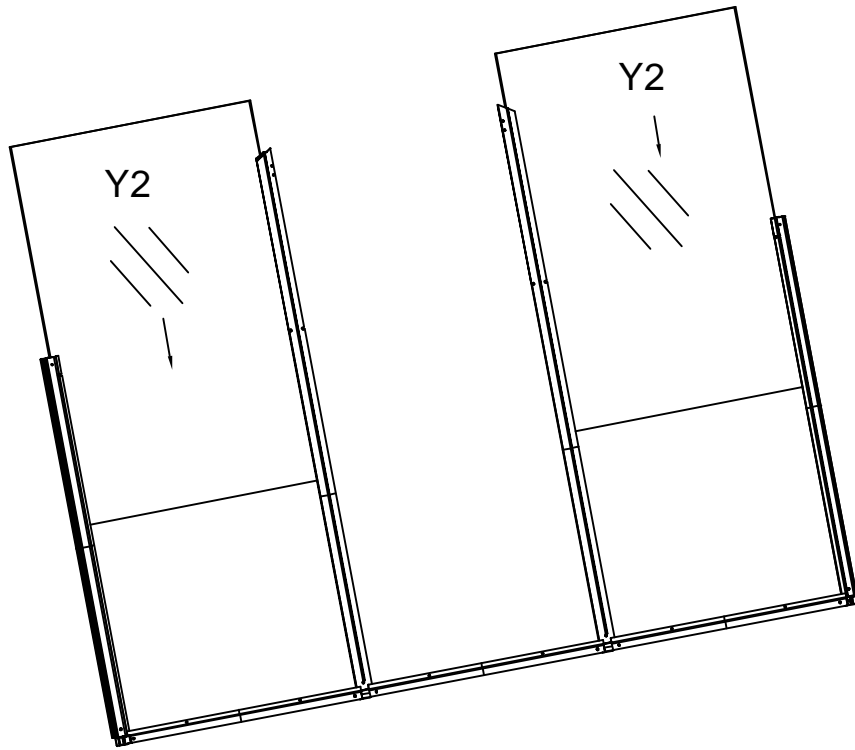


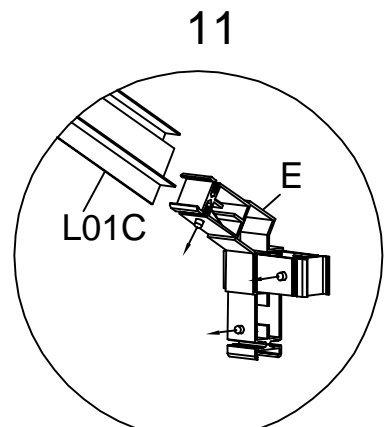
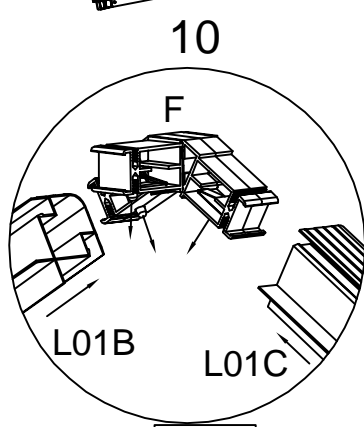
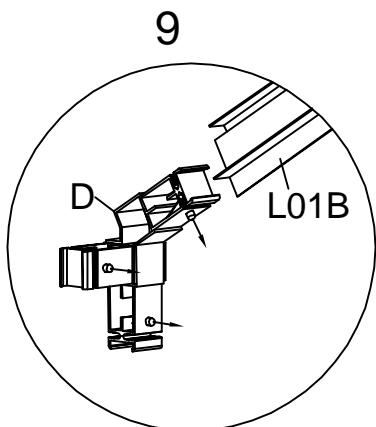
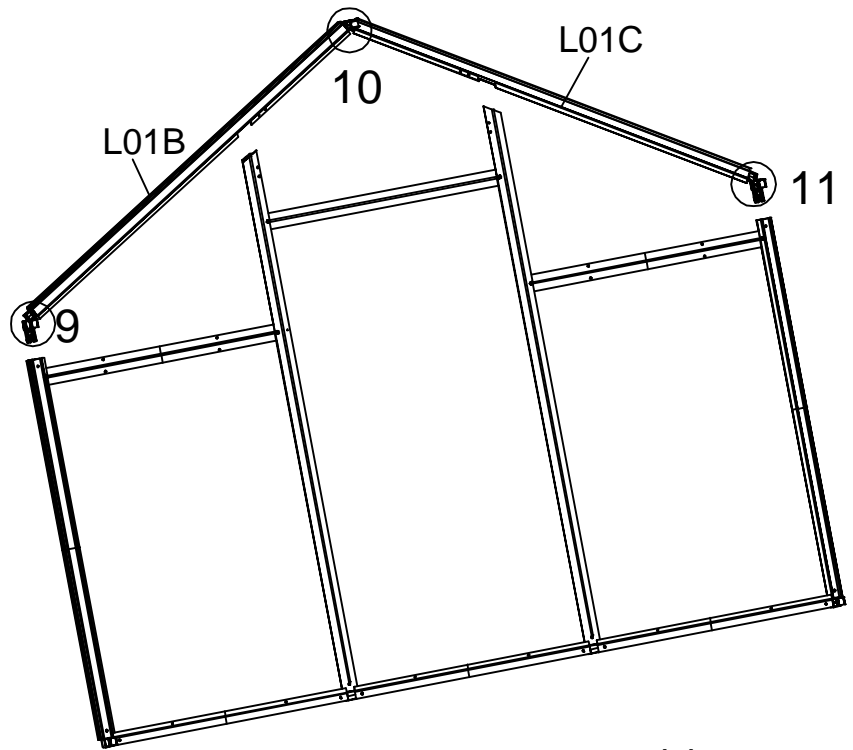
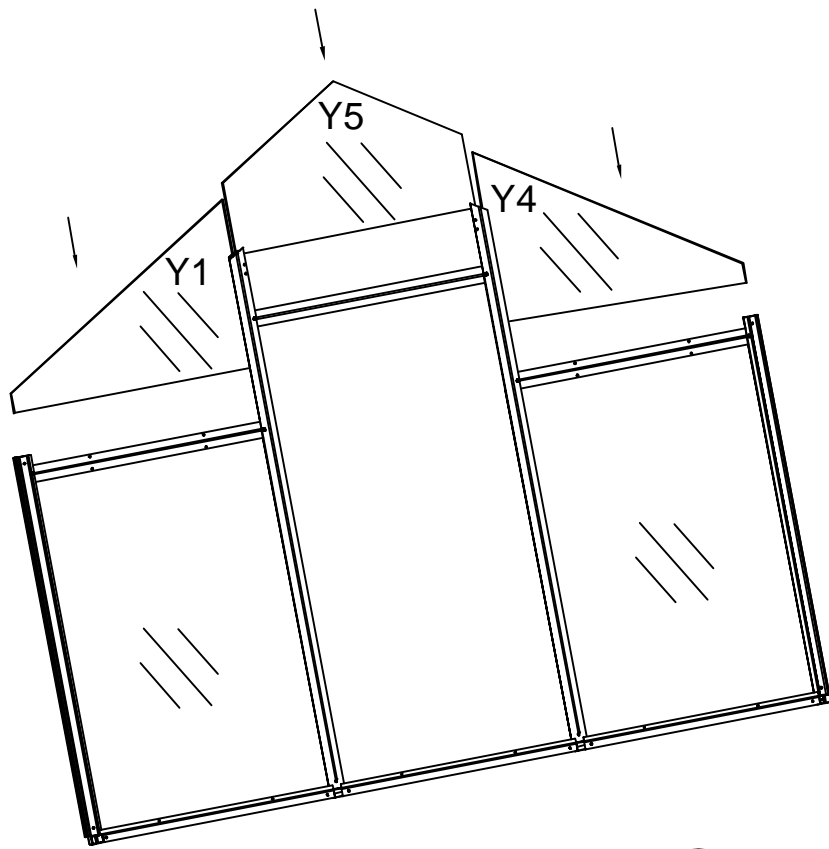
PART	NO.	QTY.
	L01A	2
	L01B	1
	L01C	1
	L03E	1
	L03F	1
	L04B	2
	L04A	1
	L05A	2
	L08A	3
	A	1
	B	1
	C	2
	D	1
	E	1
	F	1
	W01	2
	S01	18
	M01	18
	J03R/L	1/1
	J04	2
	Y1	1
	Y2	2
	Y5	1
	Y4	1

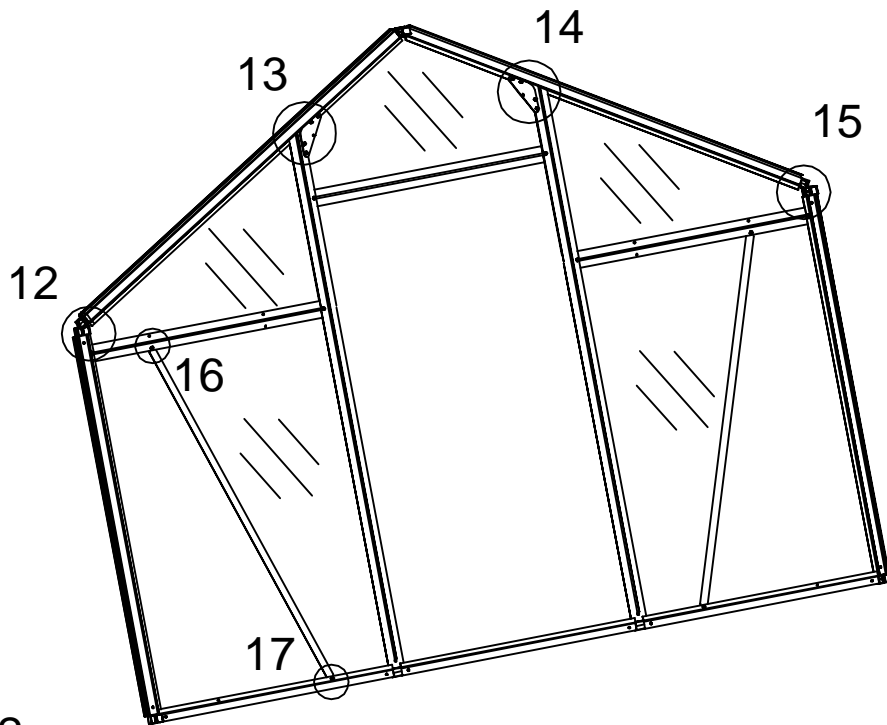
### Front Assembly



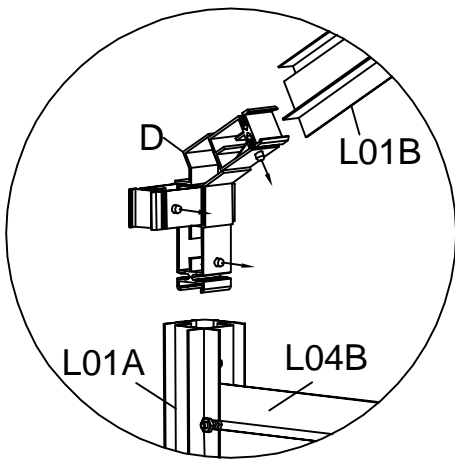




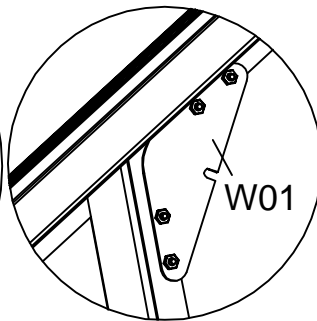




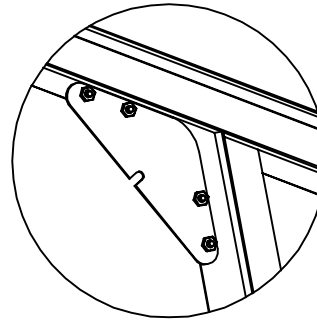
12



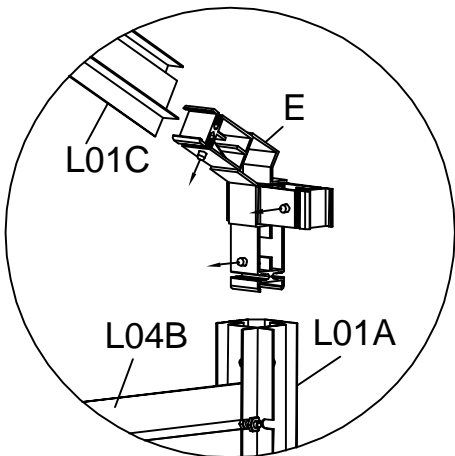
13



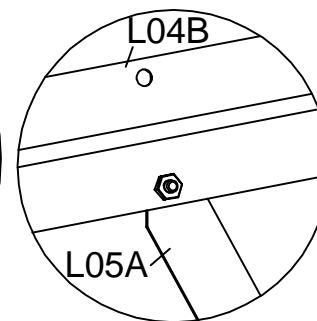
14



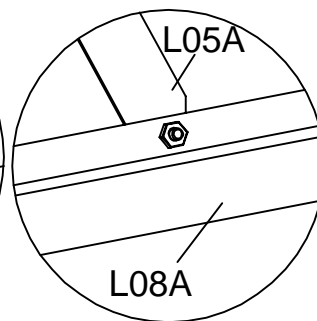
15

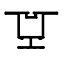
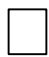


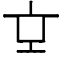

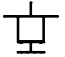

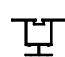





















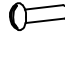




16

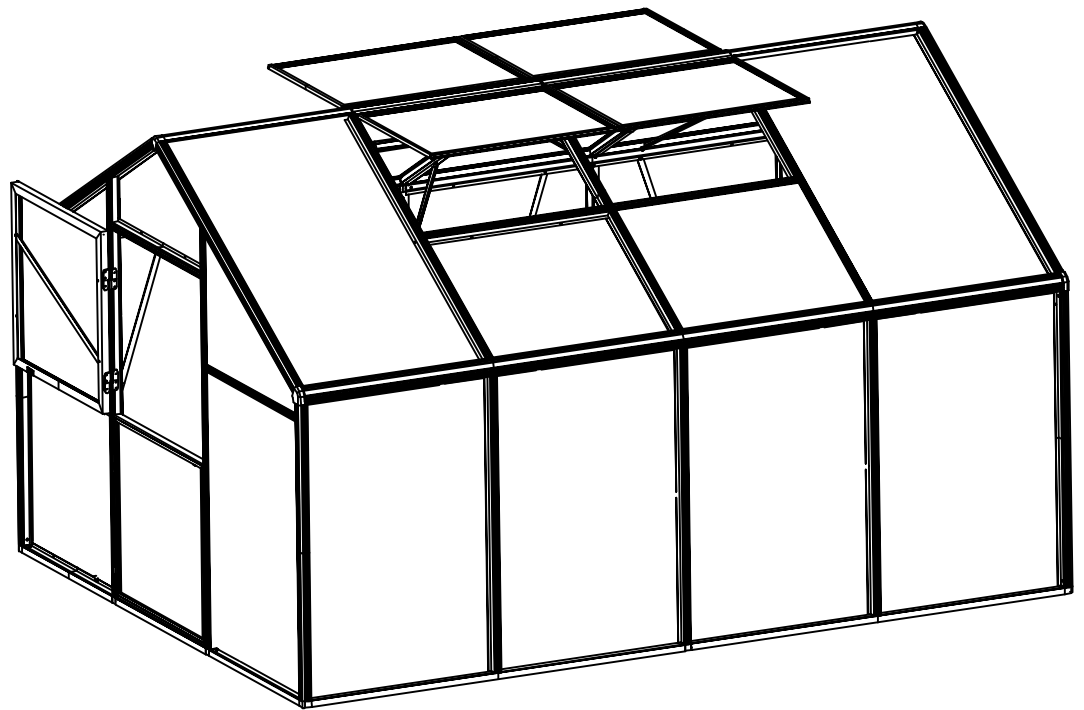


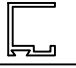
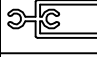

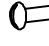

17



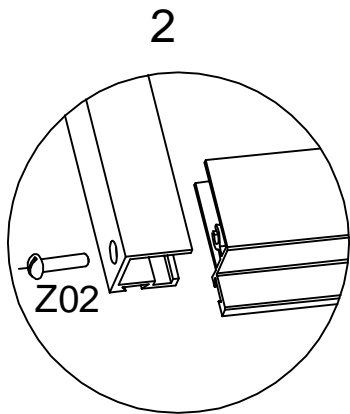
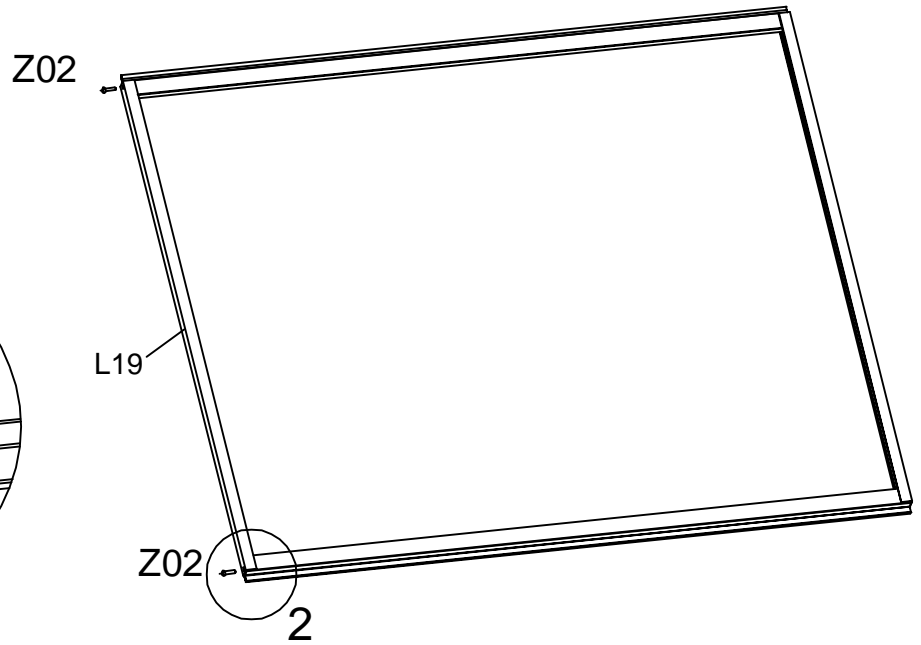
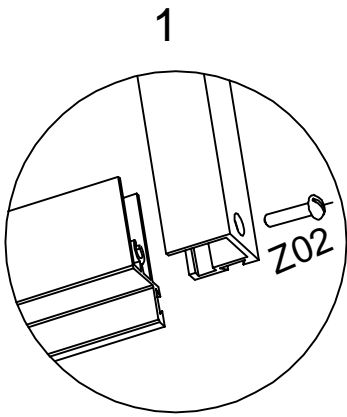
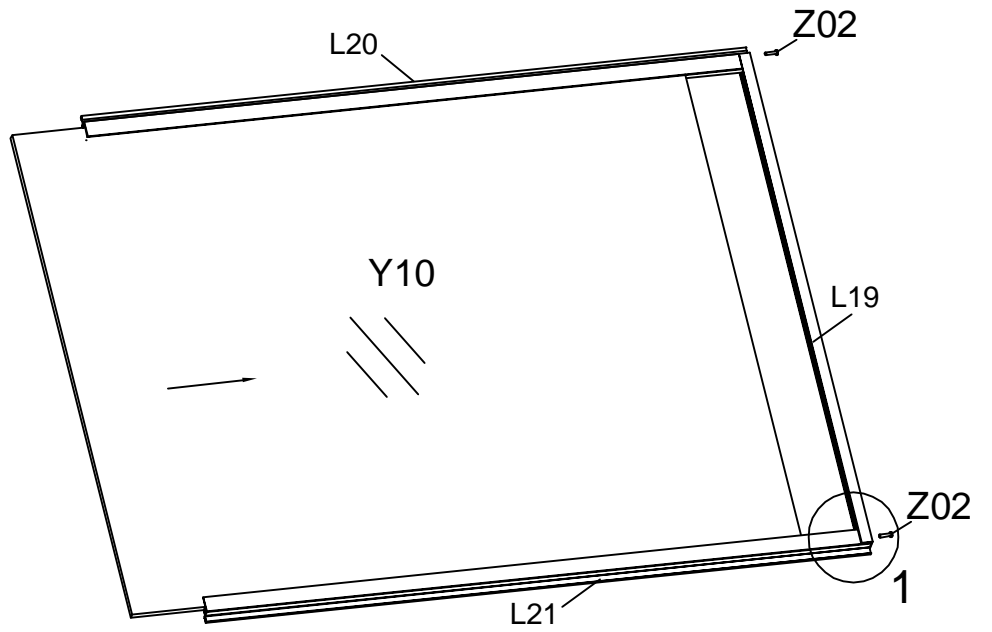
PART	NO.	QTY.	PART	NO.	QTY.
	L02A	4		Y6	8
	L02B	4		Y7	4
	L03A	2		Y9	4
	L03B	2		W06	4
	L04E	4		W08	4

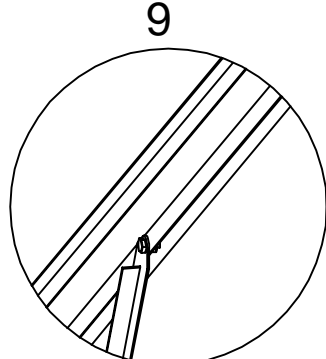
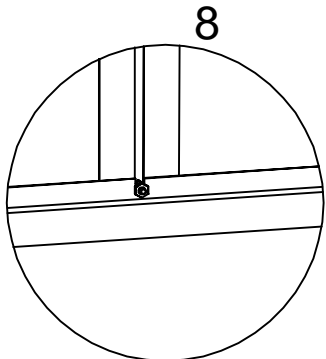
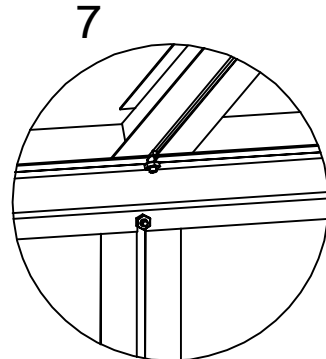
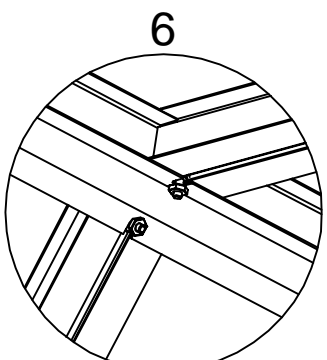
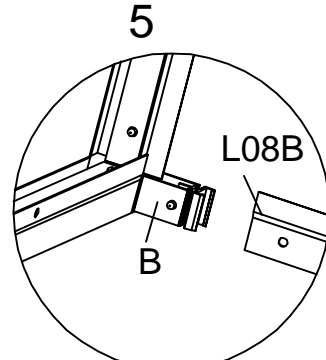
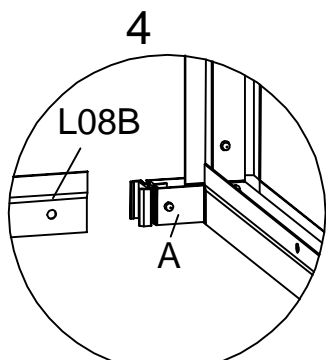
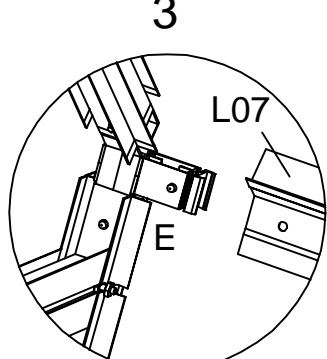
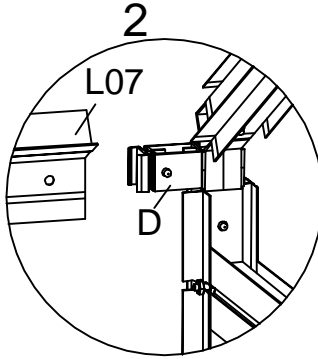
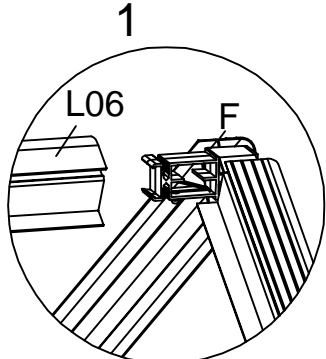
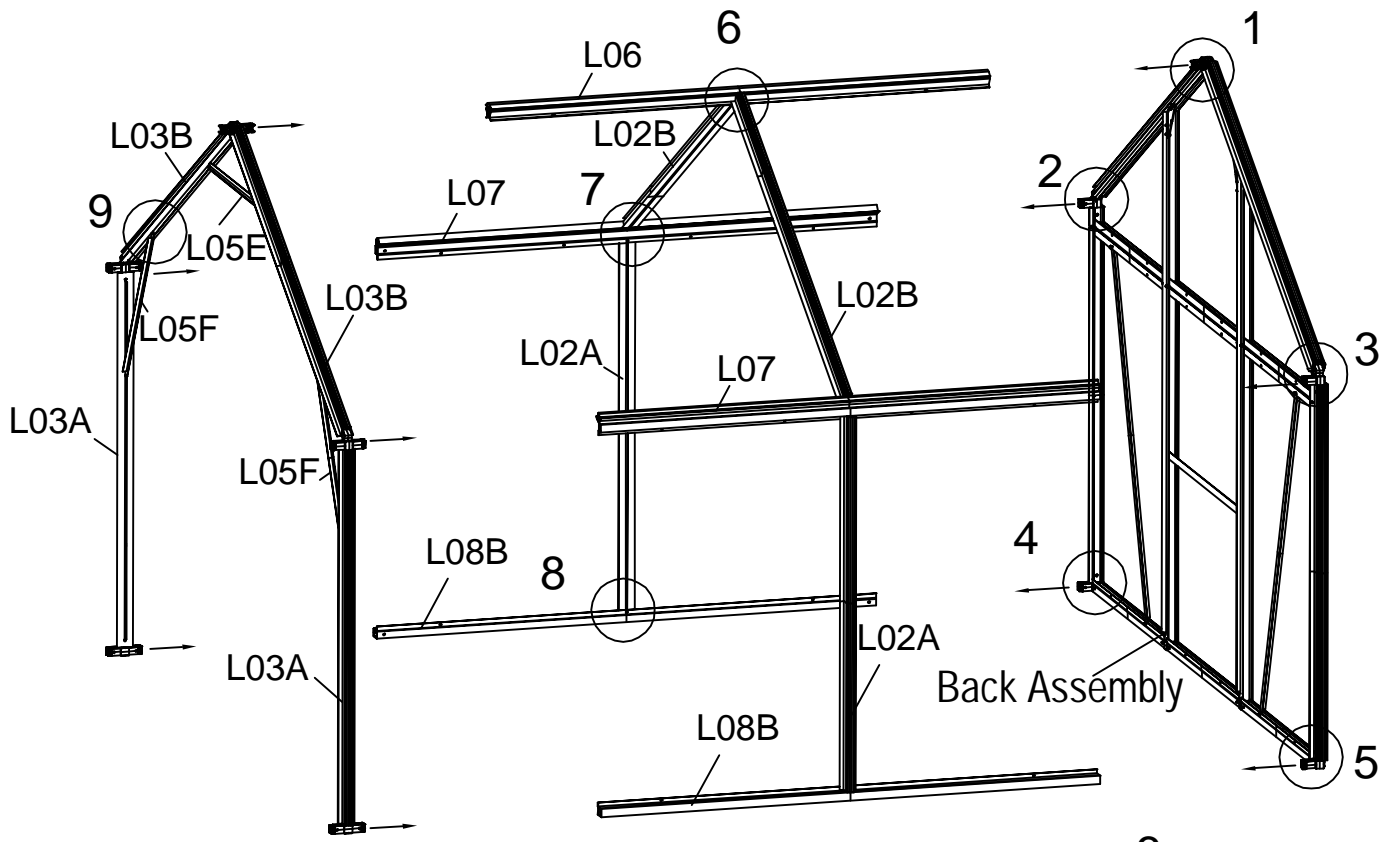
	L05B	4
	L05C	4
	L05D	4
	L05E	1
	L05F	2
	L06	2
	L07	4
	L08B	4
	L09	4
	L15A	2
	L15B	2
	C	2
	G	2
	H	1
	S01	62
	S02	8
	M01	70
	Z02	8
	Z03	12
	Z04	8
	J01	2
	J02R/L	2/2
	J05	1

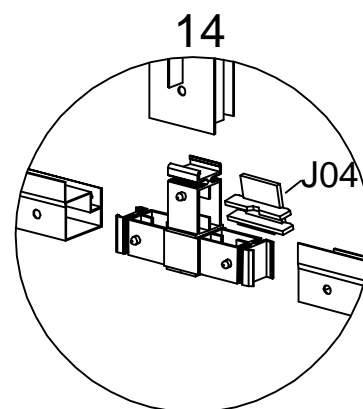
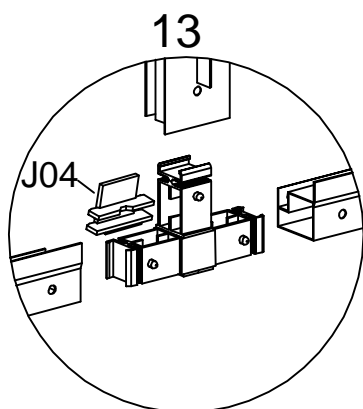
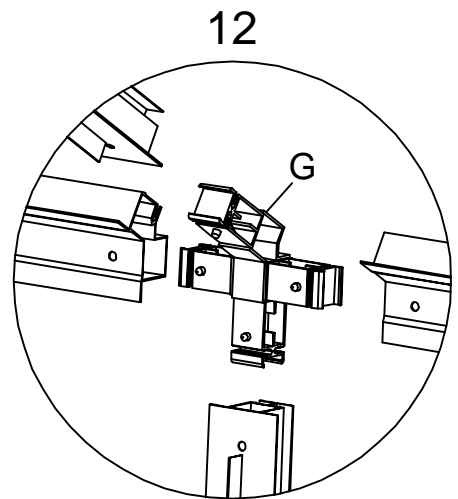
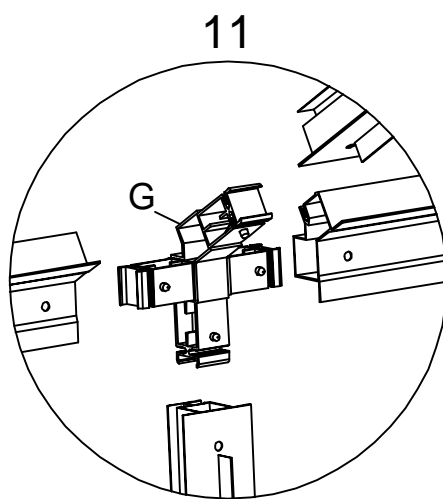
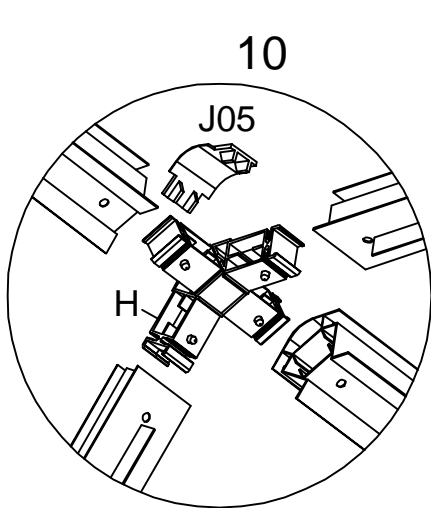
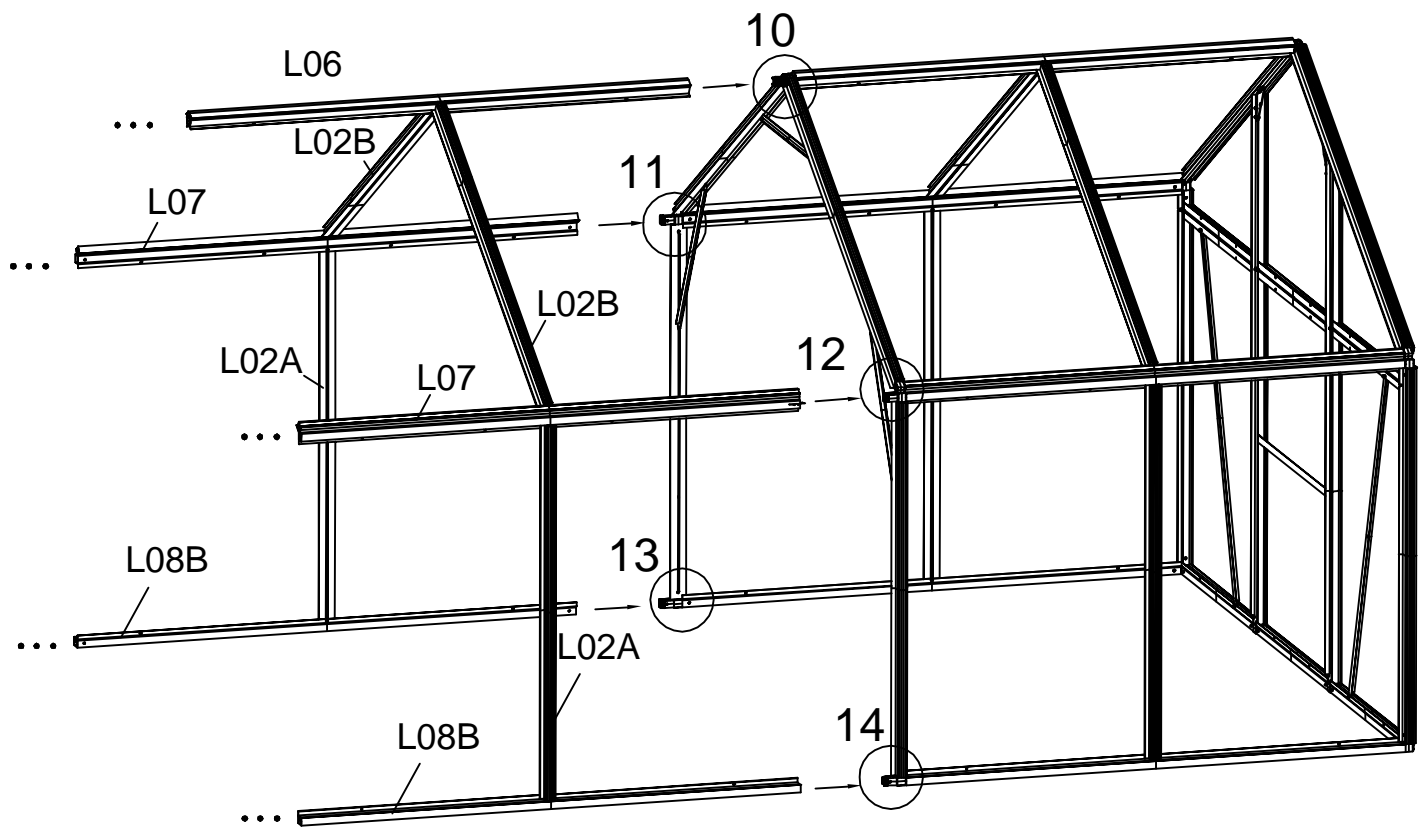


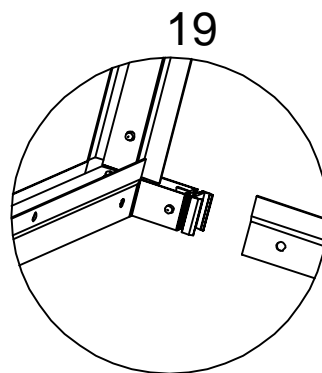
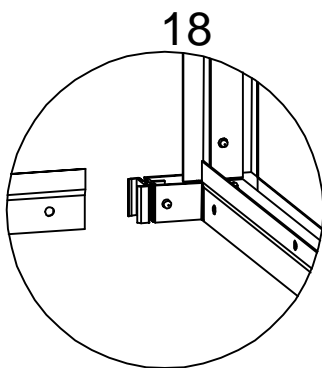
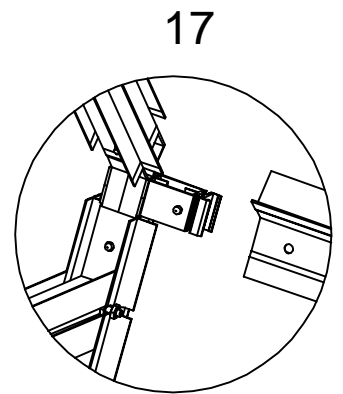
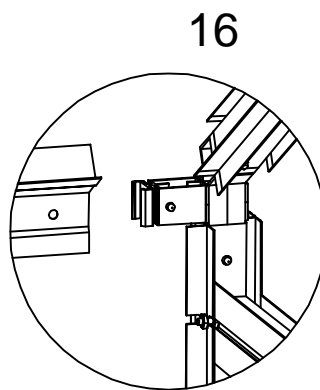
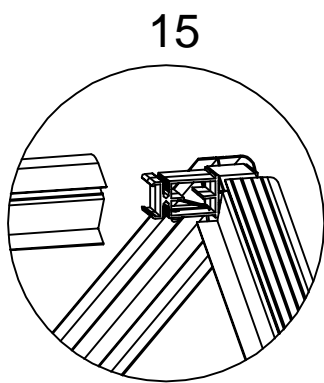
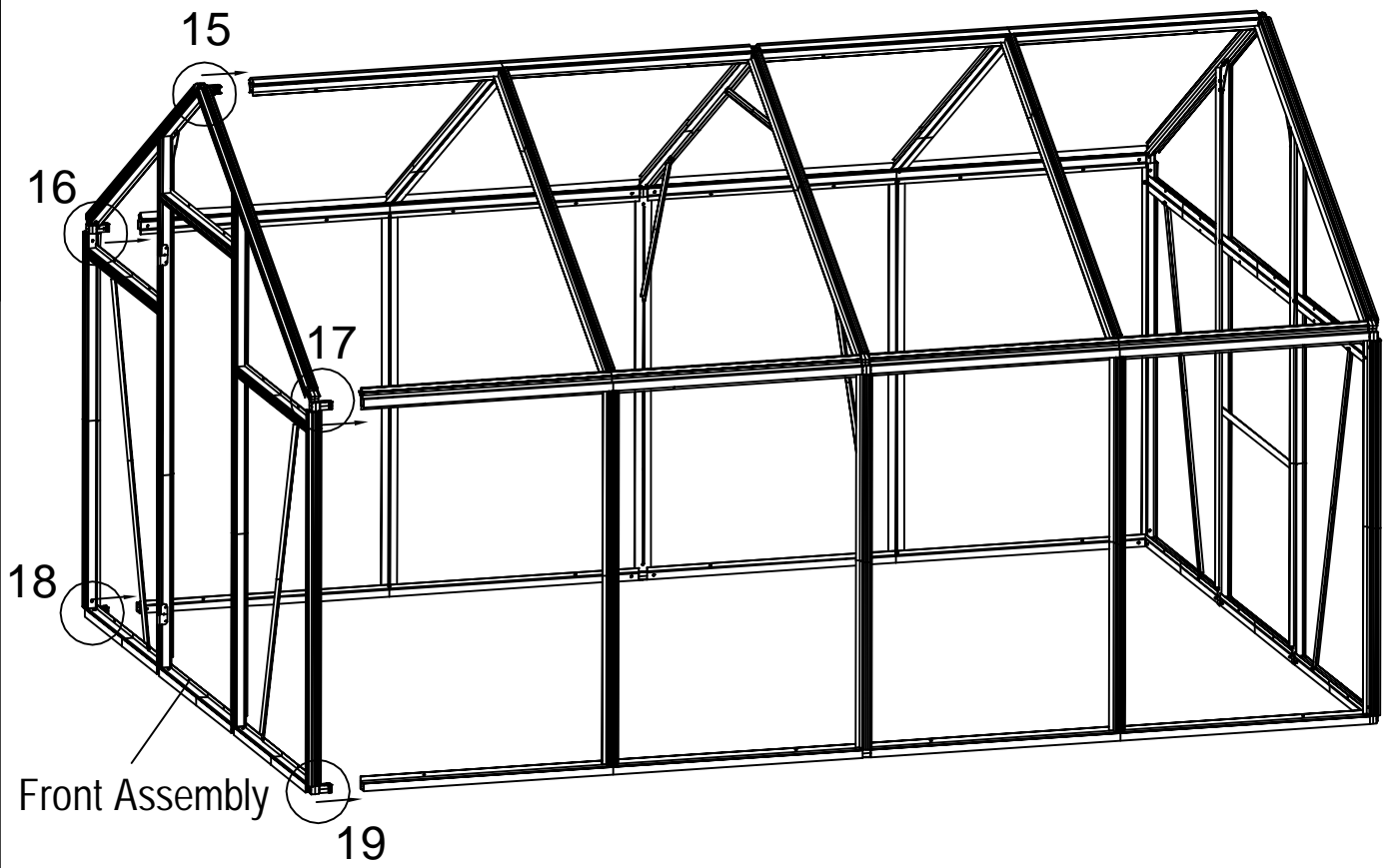
PART	NO.	QTY.
	L19	8
	L20	4
	L21	4
	Z02	16
	Y10	4

P3 Roof Vent Assembly

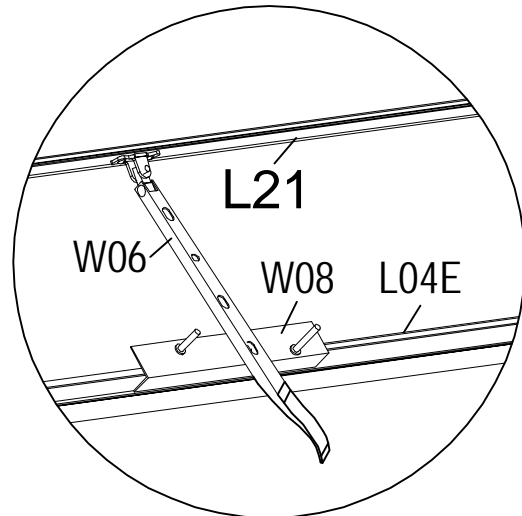
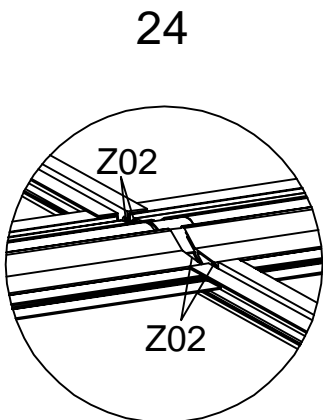
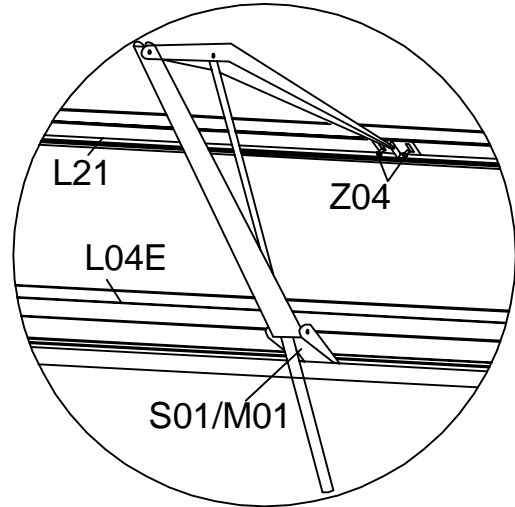
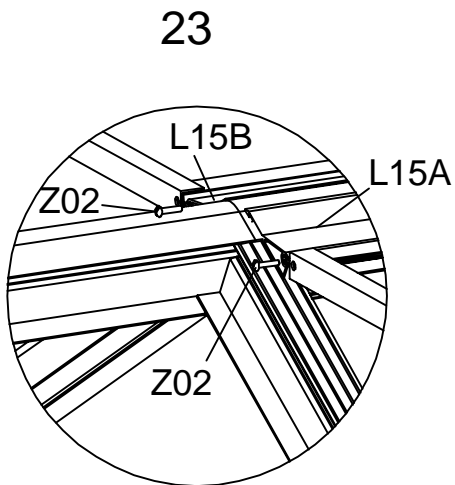
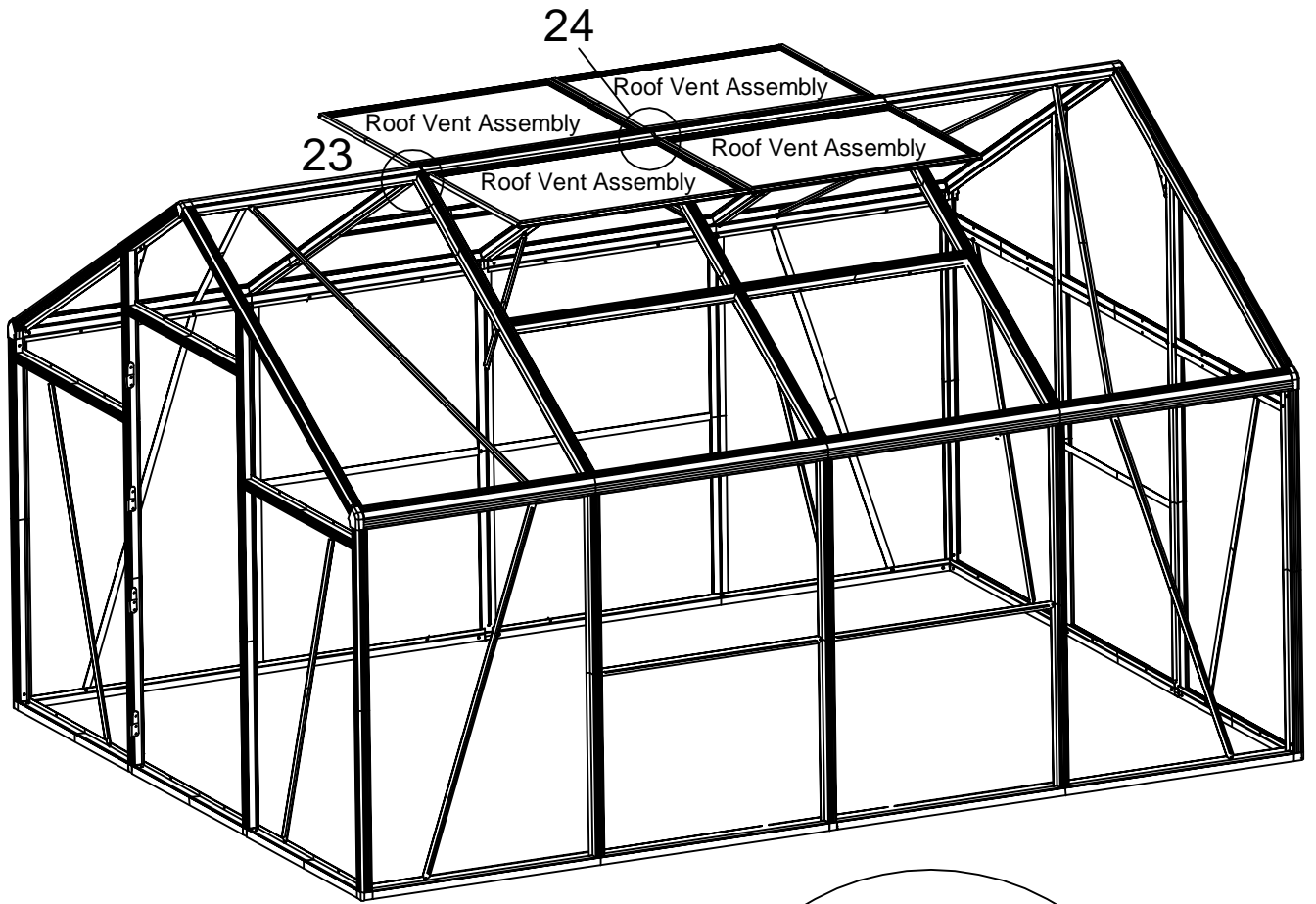


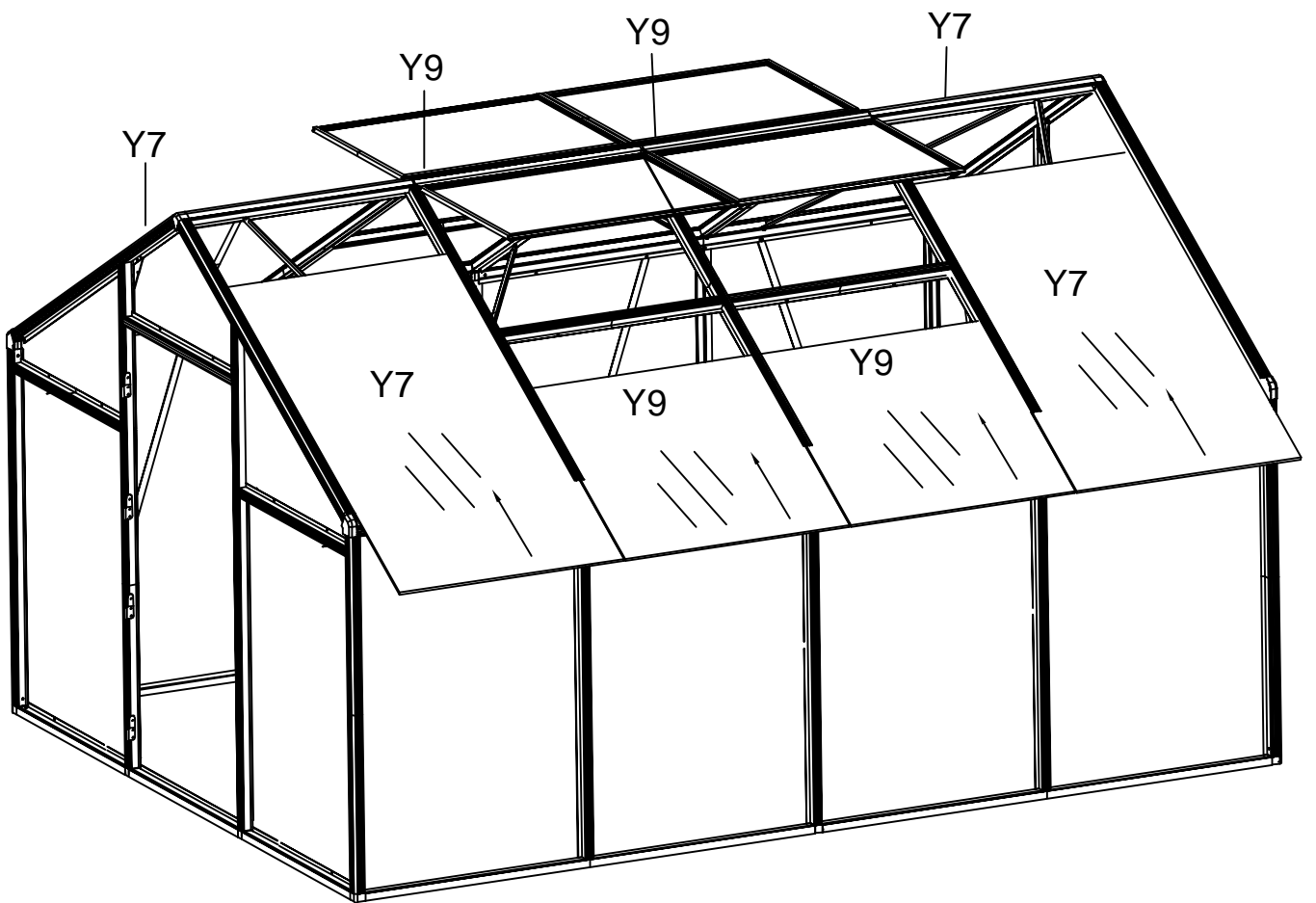
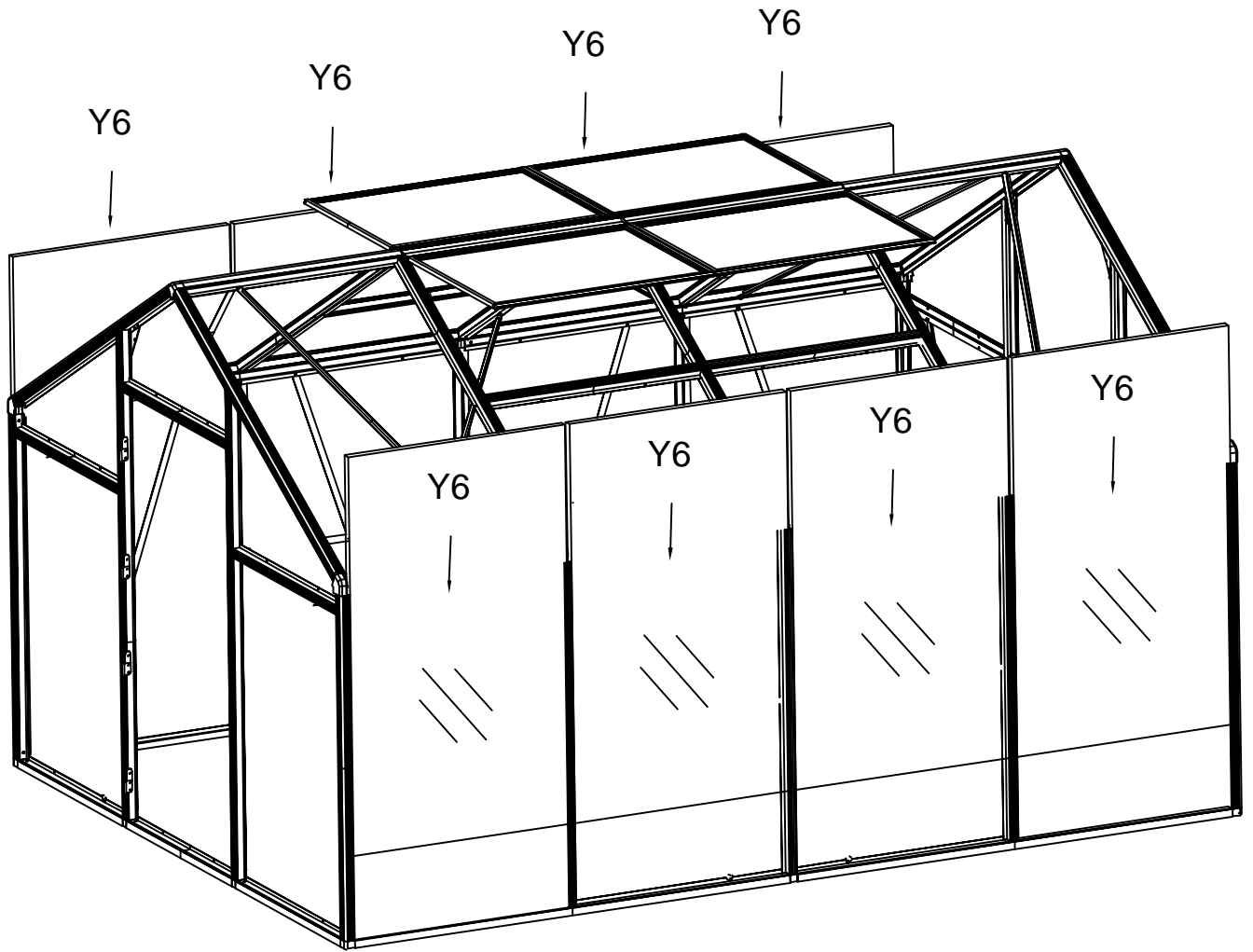


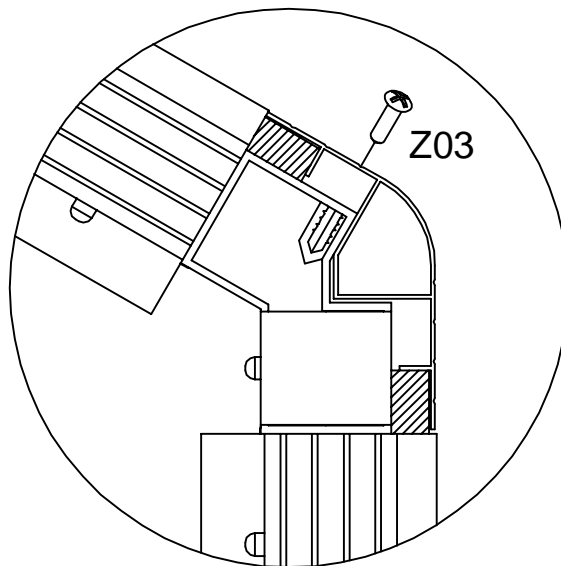
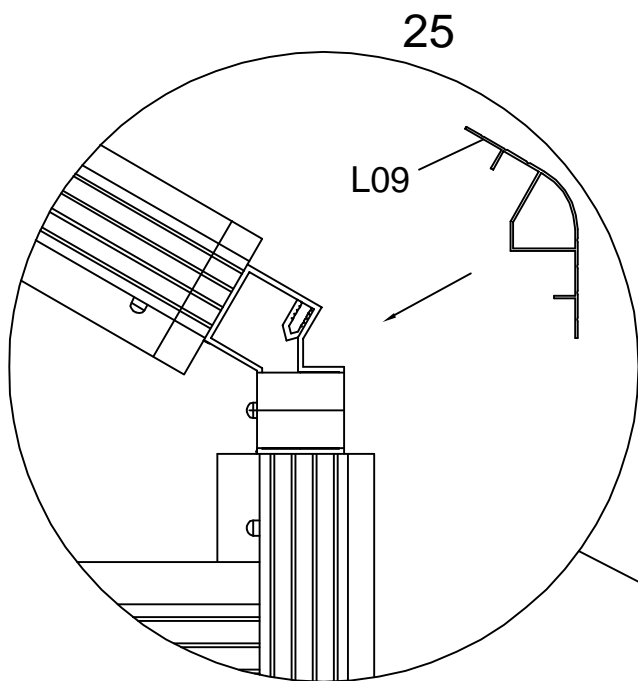
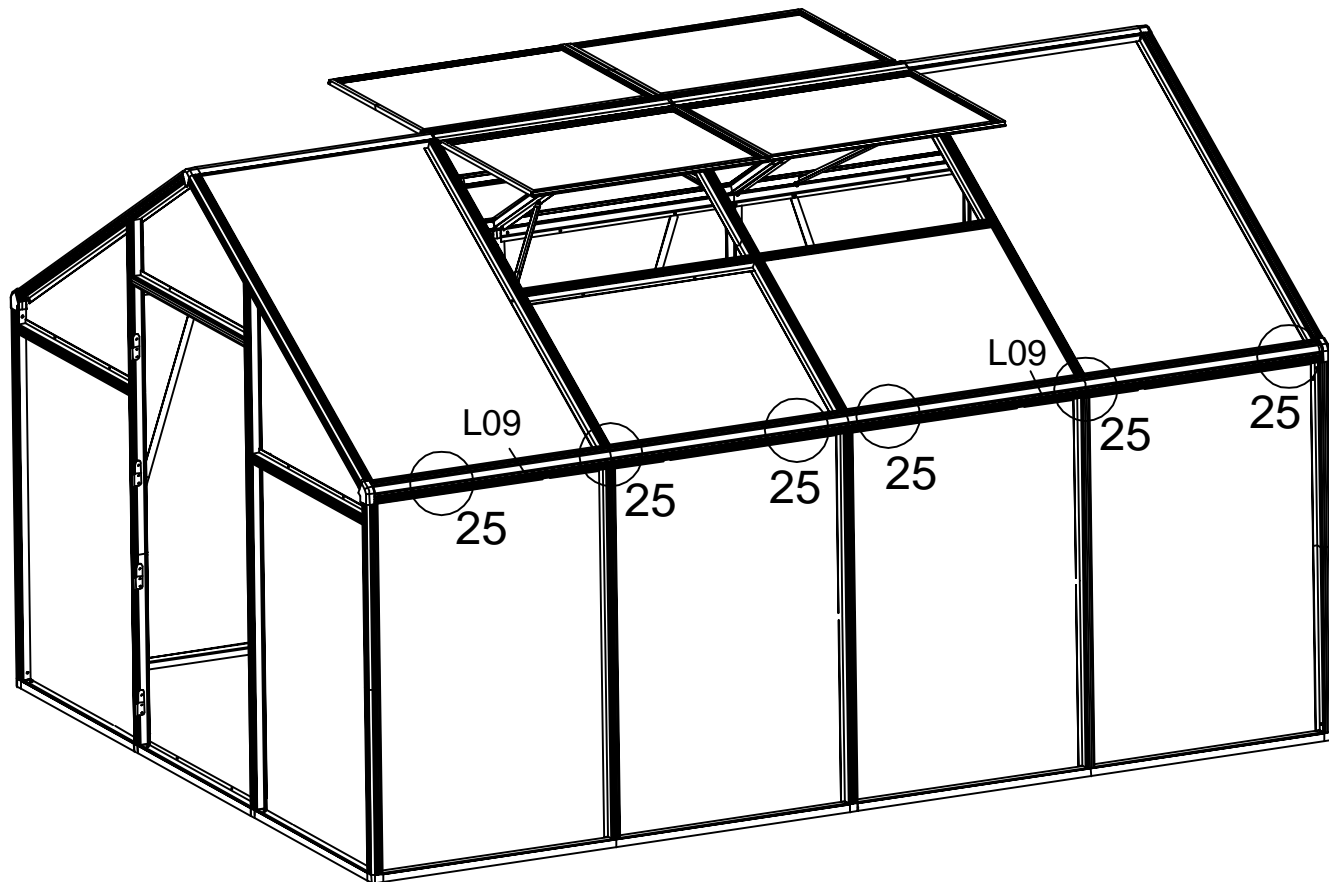




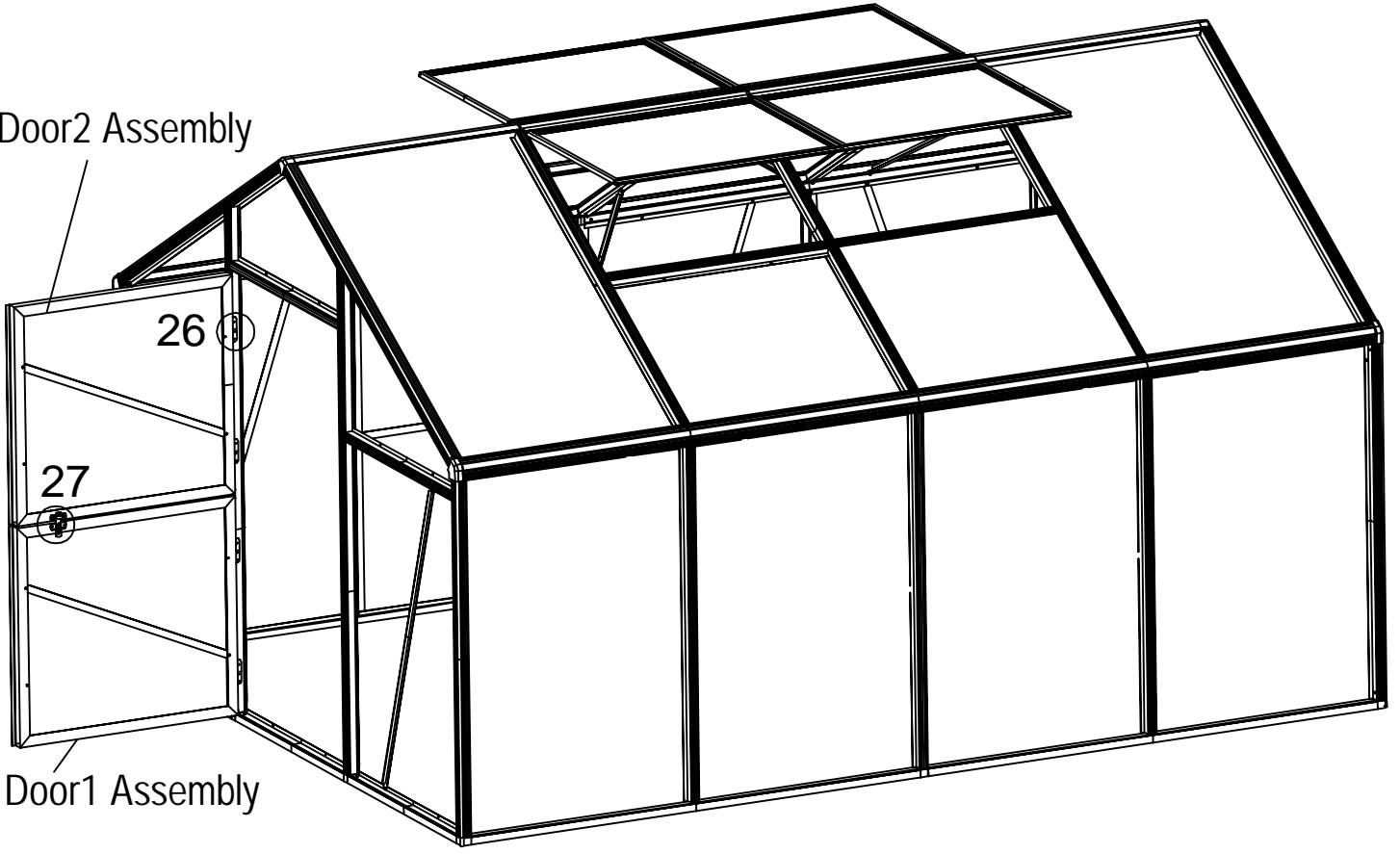








Door2 Assembly

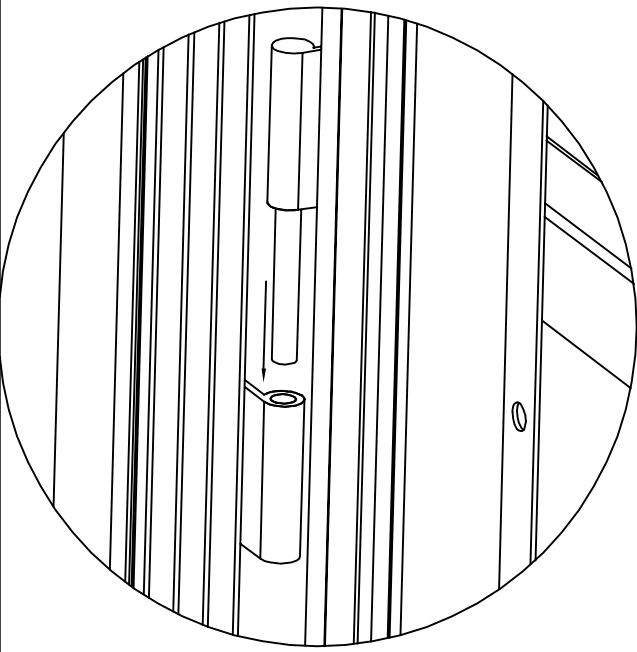


26

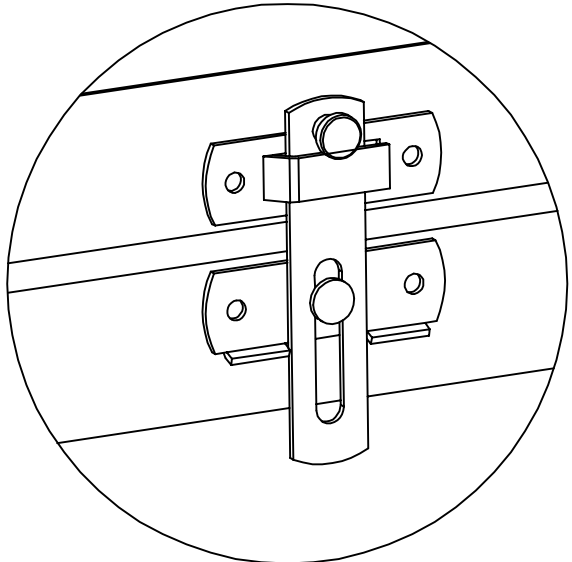
27

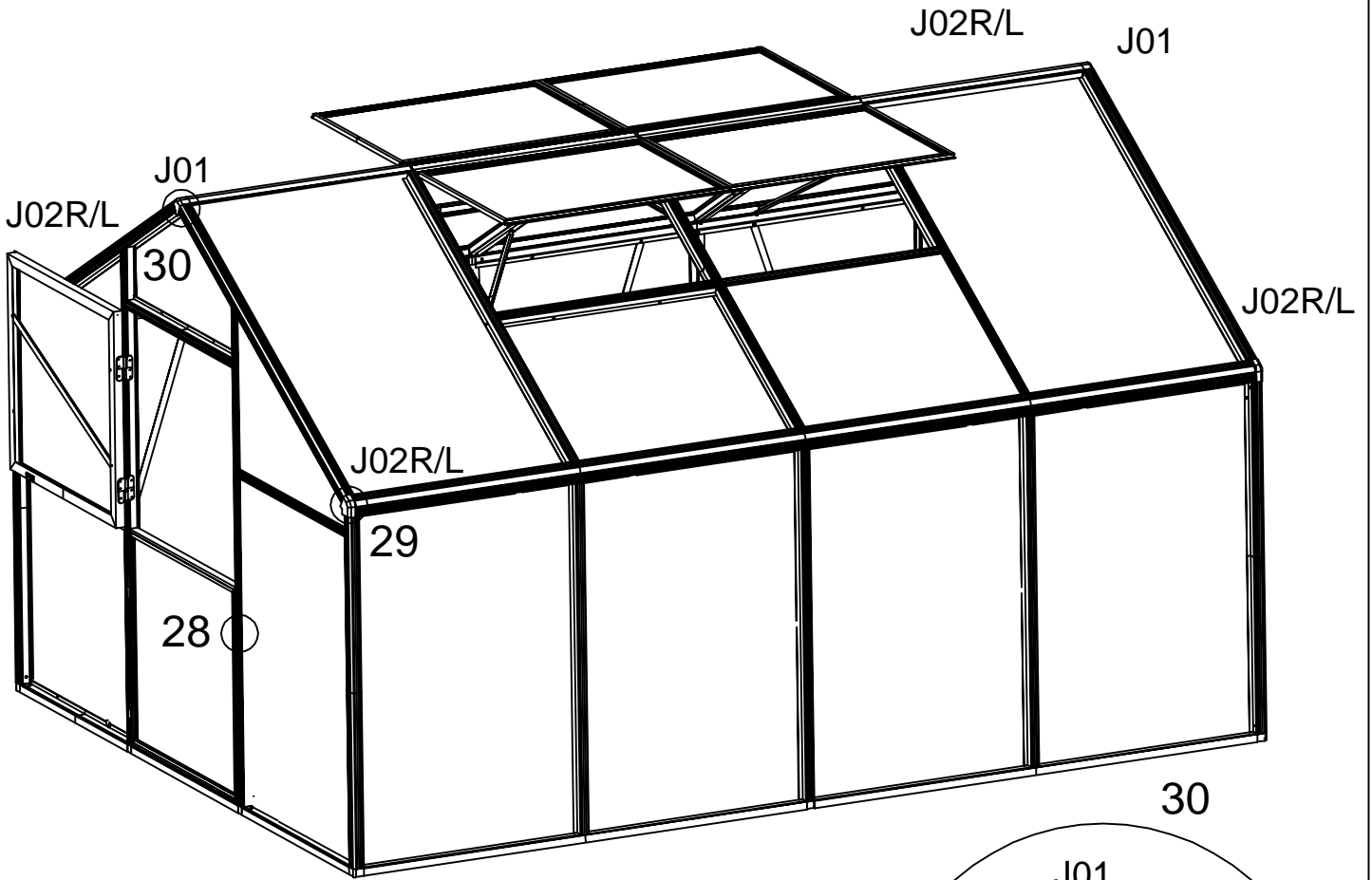
Door1 Assembly

26

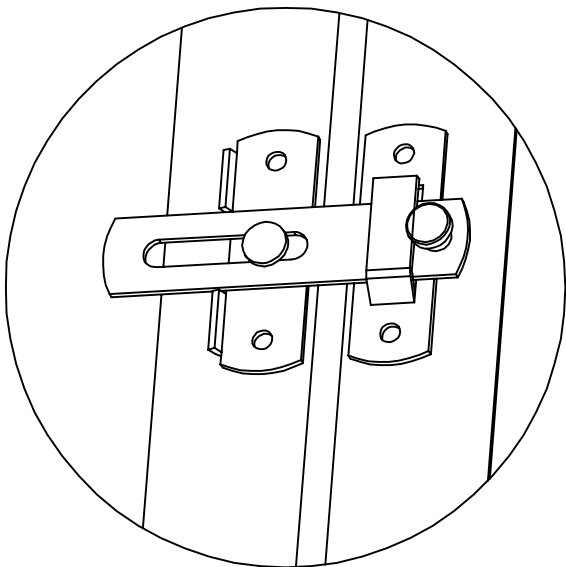


27

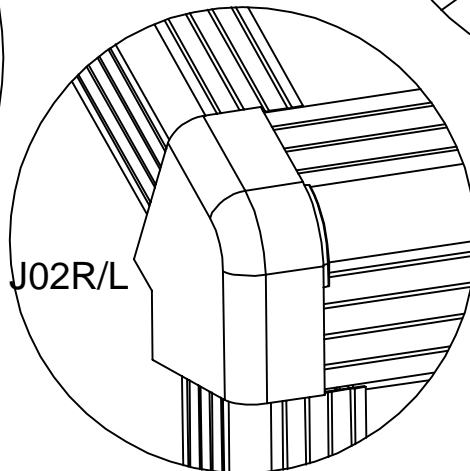




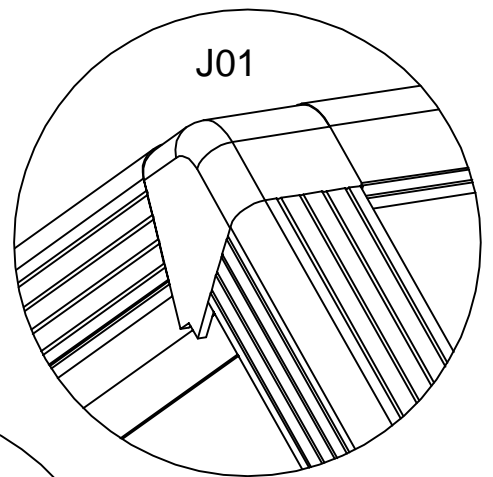
28



29

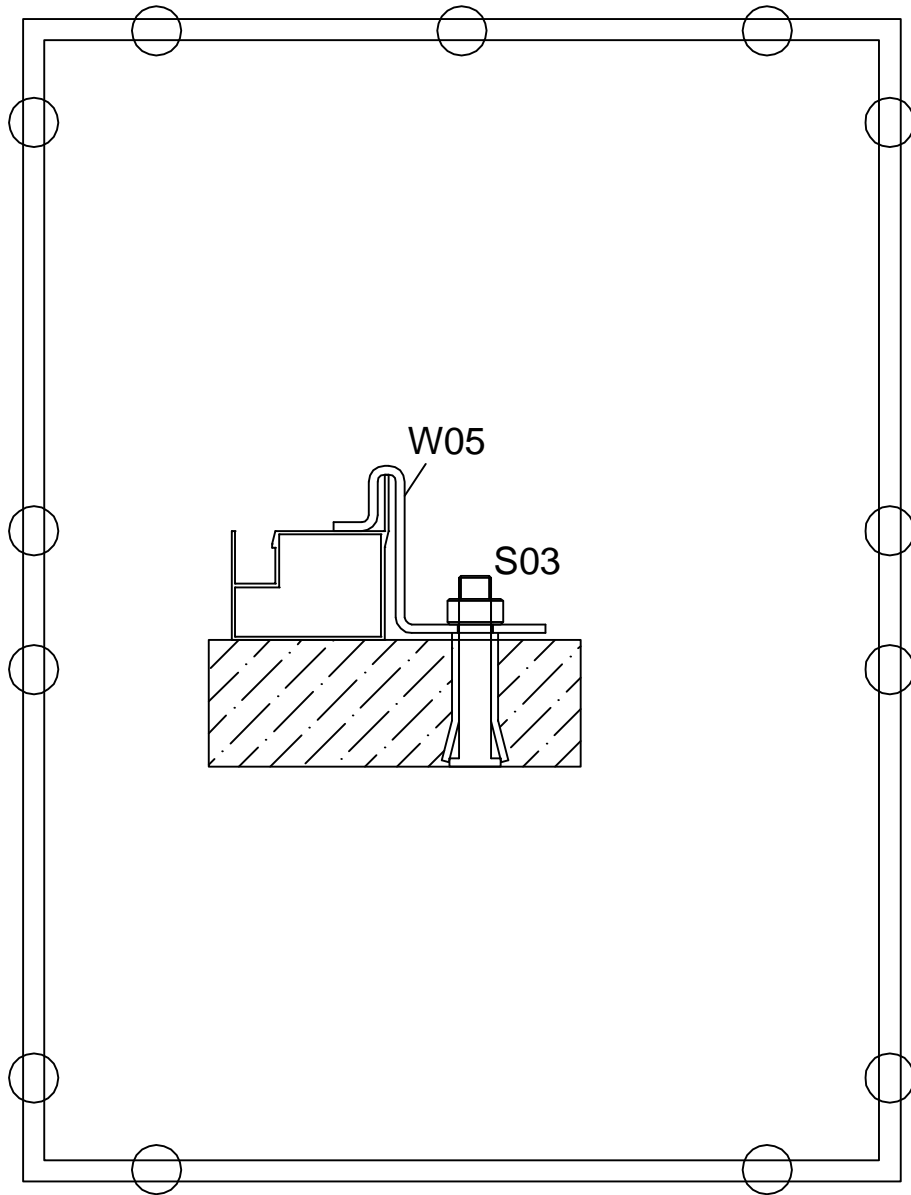




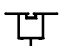

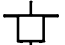
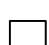
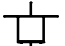






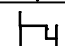
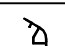
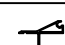



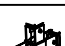


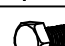







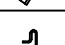
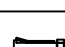
28

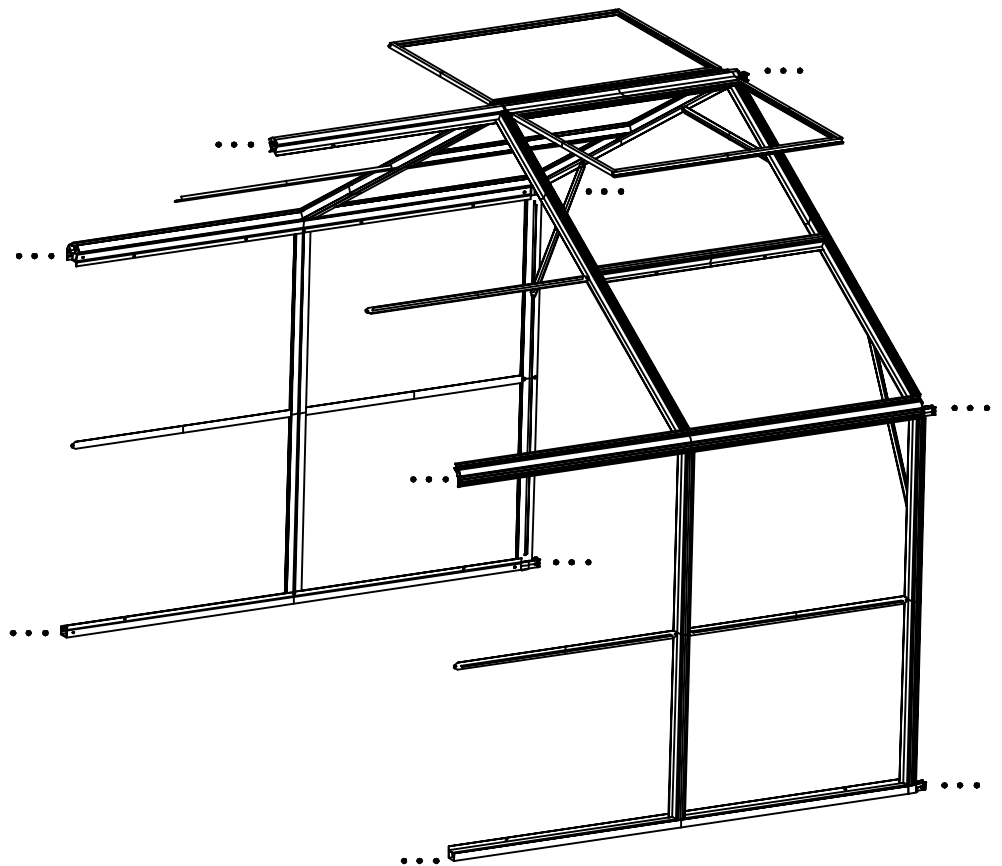


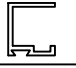
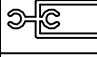

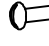

J01

⌒	W05	13
⌒	S03	13

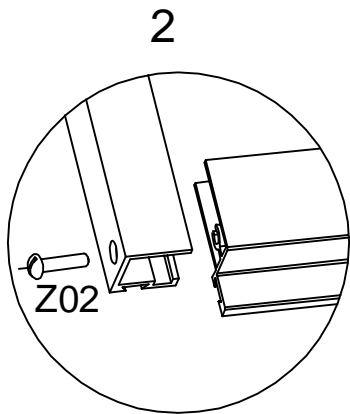
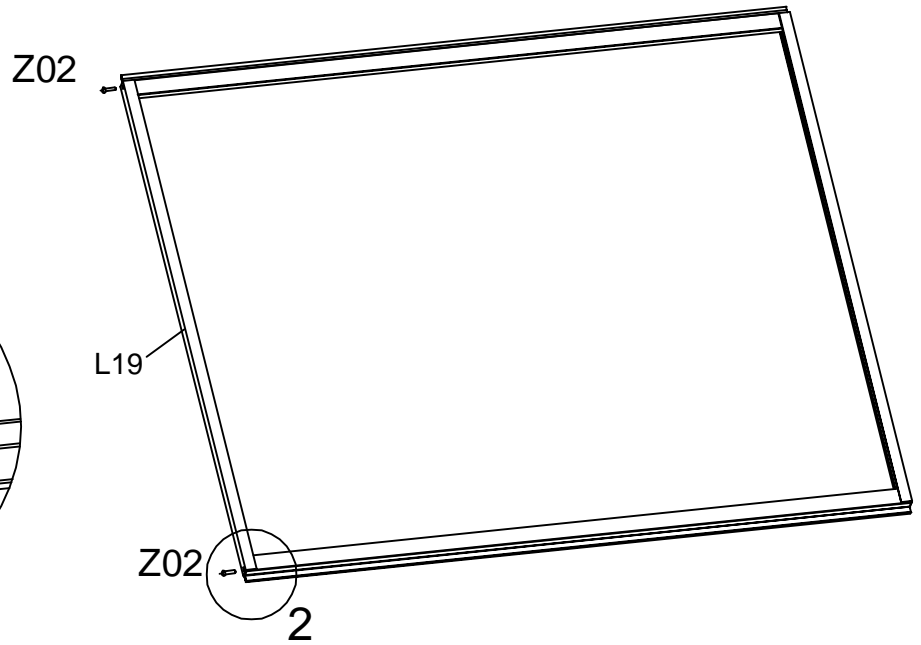
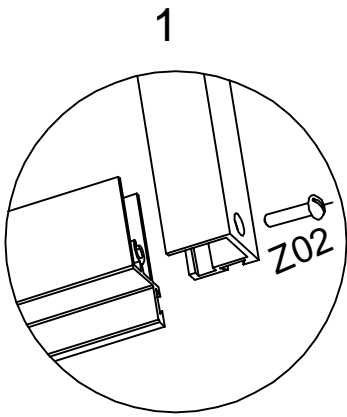
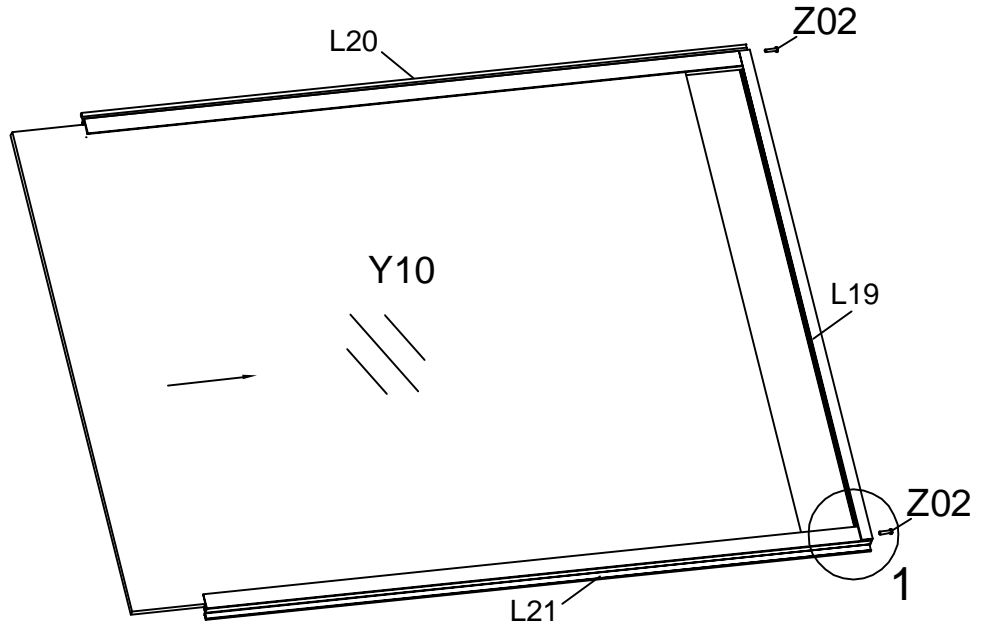


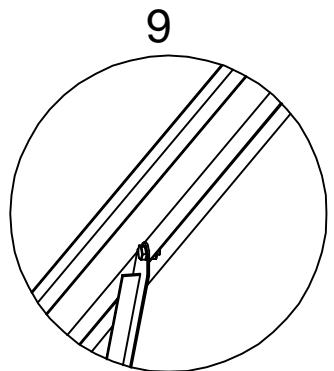
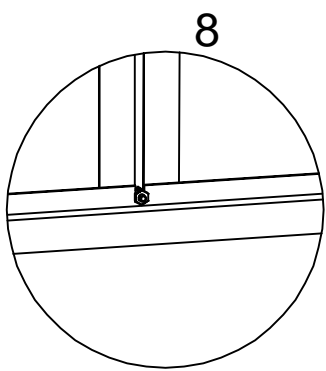
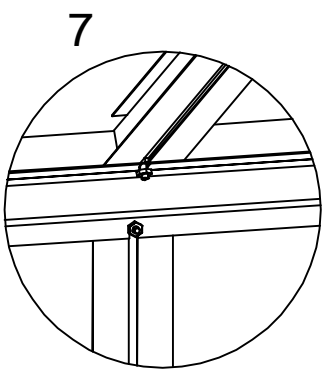
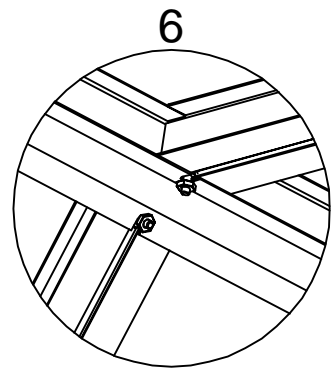
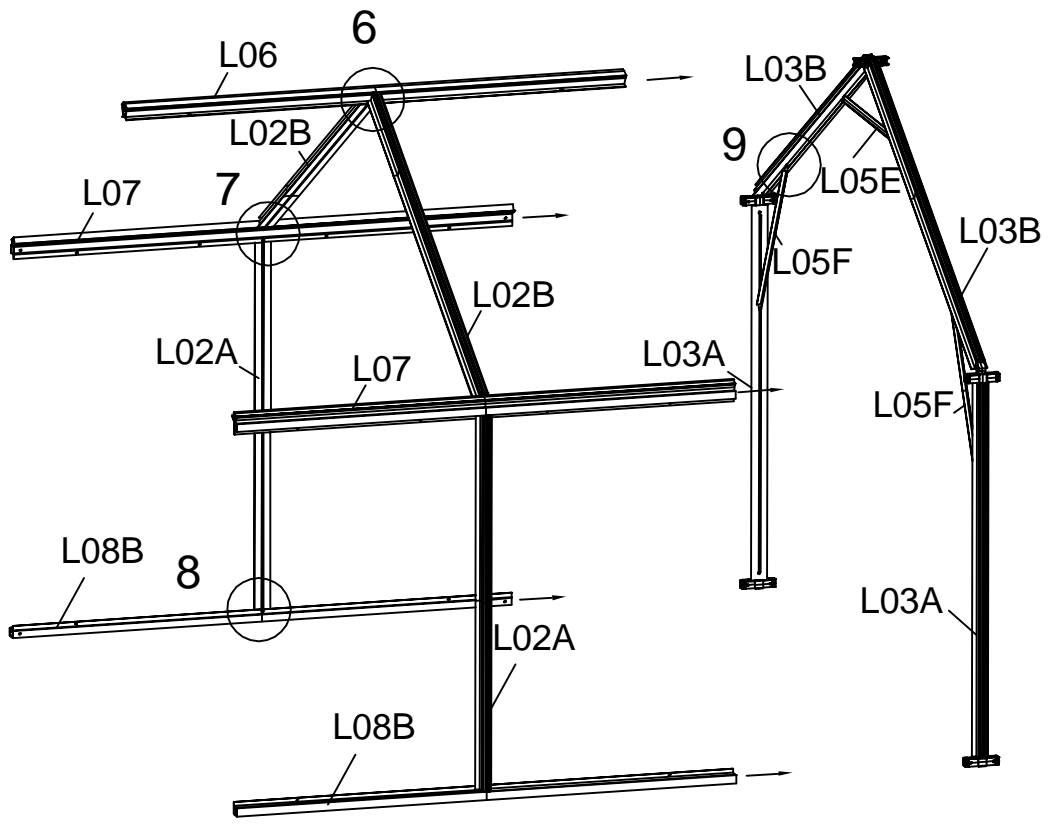
PART	NO.	QTY.	PART	NO.	QTY.
	L02A	2		Y6	4
	L02B	2		Y7	2
	L03A	2		Y9	2
	L03B	2			
	L04E	2			
	L05B	6			
	L05E	1			
	L05F	2			
	L06	1			
	L07	2			
	L08B	2			
	L09	2			
	L15A	1			
	L15B	1			
	W06	2			
	W08	2			
	C	2			
	G	2			
	H	1			
	S01	34			
	S02	4			
	M01	38			
	Z02	12			
	Z03	6			
	Z04	4			
	J04	2			
	J05	1			
	W05	4			
	S03	4			

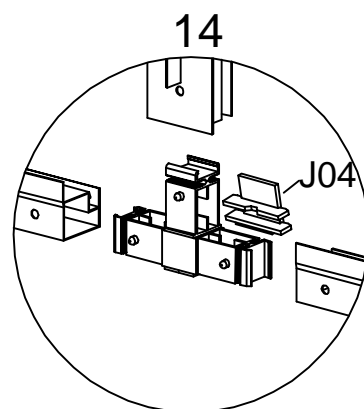
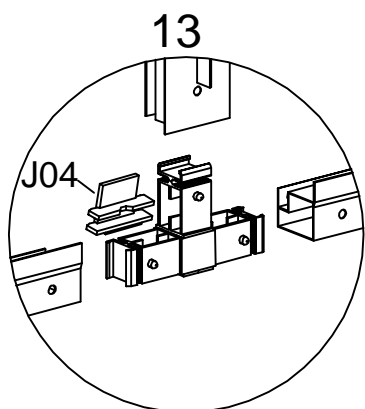
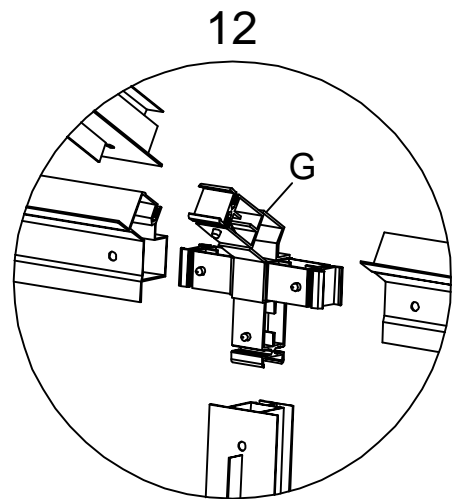
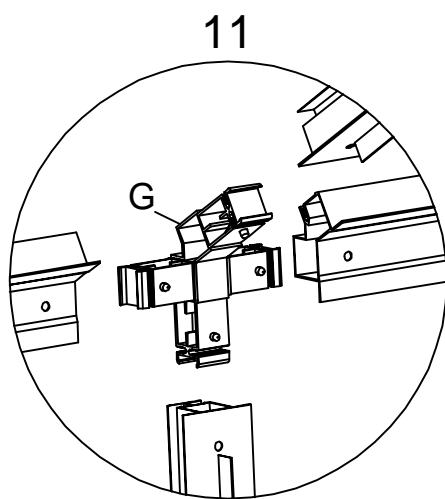
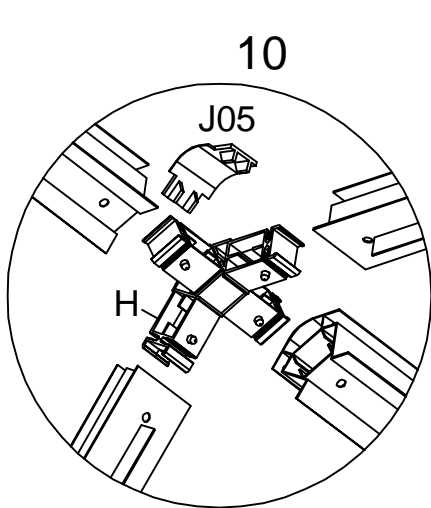
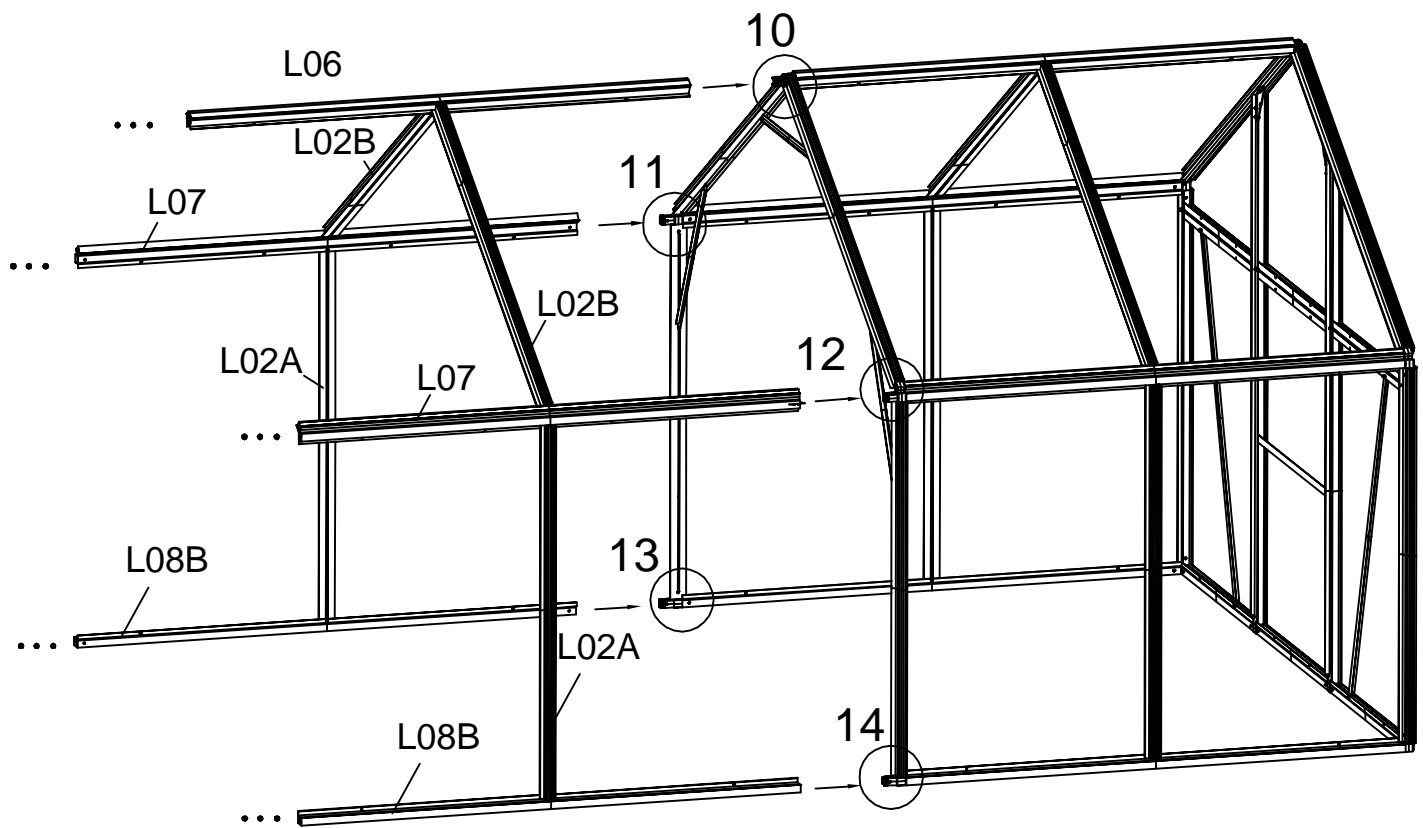


PART	NO.	QTY.
	L19	4
	L20	2
	L21	2
	Z02	12
	Y10	2

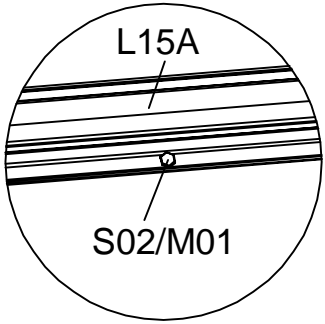
Roof Vent Assembly



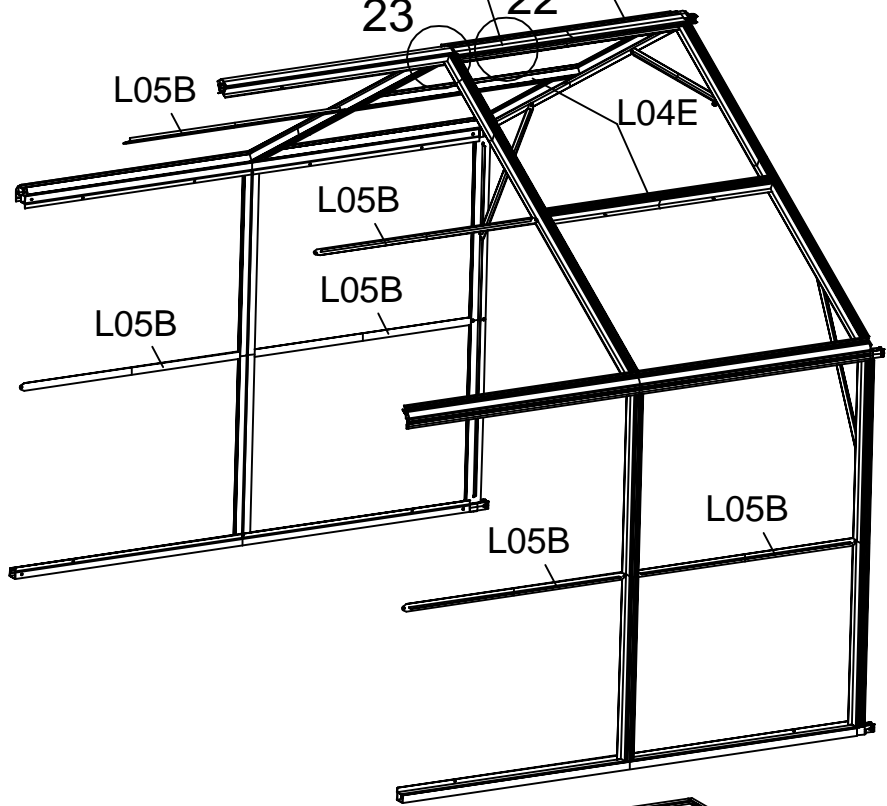




22



L15A L15B  
23 22



23

