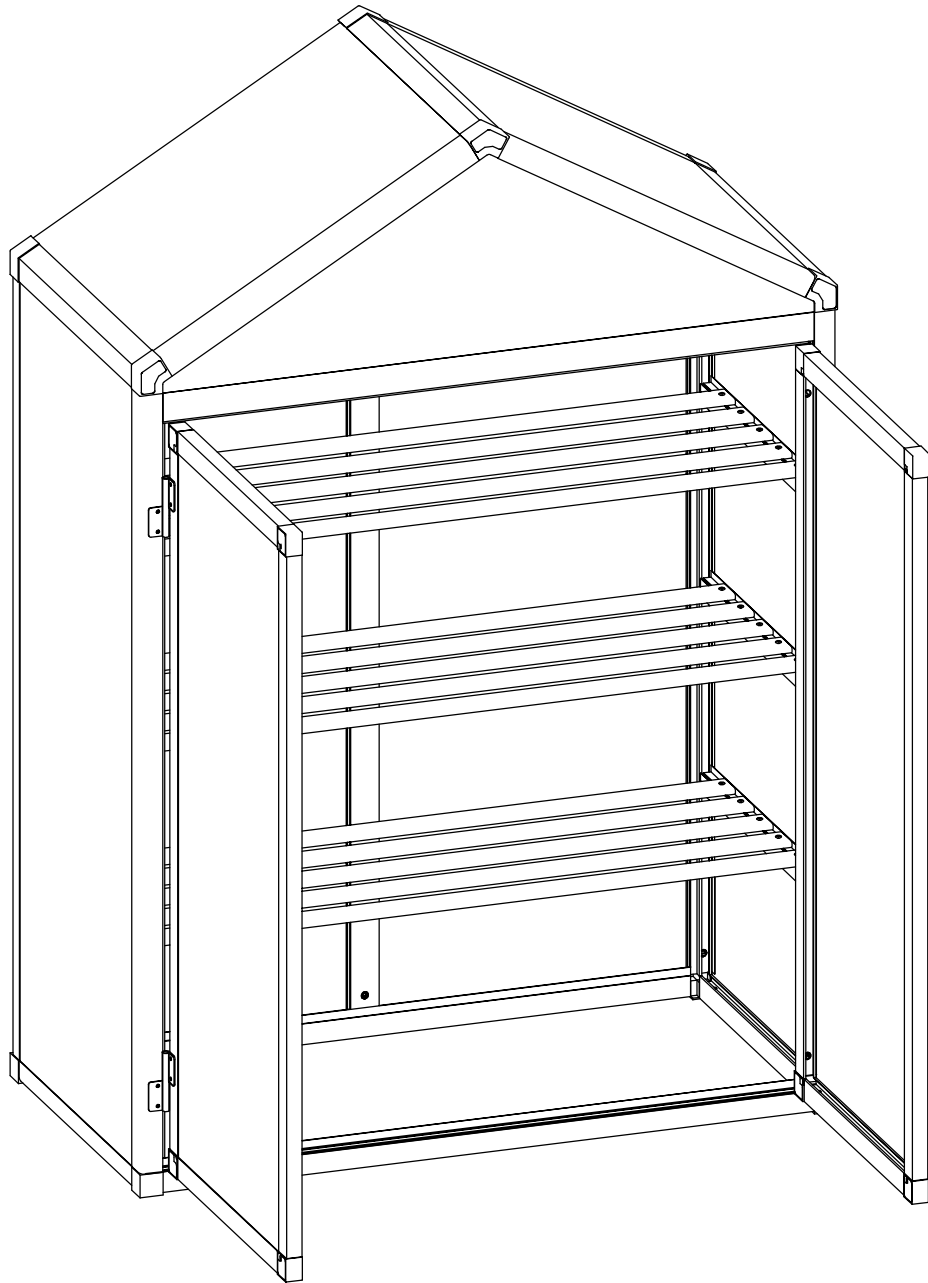


Hot House Haven 3 Greenhouse



PRODUCT SIZE(LxWxH):1'-11" x 3'-2" x 6'-1"

PLEASE READ CAREFULLY BEFORE ASSEMBLY

Safety Warning & Advice

KEEP WORKING AREA CLEAN, DRY AND FLAT.

Cluttered, damp, or wet working area may cause injuries; and make sure the Greenhouse is located on a flat level surface.

DO NOT INSTALL THE GREENHOUSE IN AREAS SUBJECT TO HIGH WINDS OR ON A WINDY DAY.

Although this greenhouse is designed to withstand greater wind loads than other conventional greenhouses, do not install it in areas subject to high winds or on a windy day. Any building left partially constructed may be seriously damaged if left in this state. It is your responsibility to safely and securely anchor the greenhouse, having regard to windiest conditions in the area.

POLYCARBONATE SHEET

Remove approximately 2 inches of film from all sheets edges before installing and remove all film immediately after the construction is completed. Please note the side with white sticker faces out.

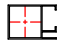

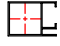


CHECK PARTS BEFORE ASSEMBLY.

All parts have been labeled well, please sort, separate and identify all parts and hardware before construction, and check against the part list in this manual.

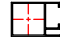
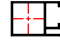
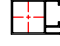


ALERT

Do not install the product when you are tired or distracted from the job at hand. We recommend that you use gloves when assembling.





Door1 Frame Assembly

PART	NO.	Qty.
	L08A	1
	L08B	1
	L08E	2
	D	4
	Y4	1

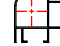


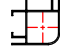
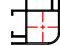








Door2 Frame Assembly

PART	NO.	Qty.
	L08C	1
	L08D	1
	L08E	2
	D	4
	Y4	1

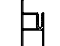
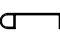


Top Frame Assembly


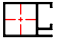



PART	NO.	Qty.
	L01B	4
	L05A	3
	C	6
	Y3	2

Bottom Frame Assembly

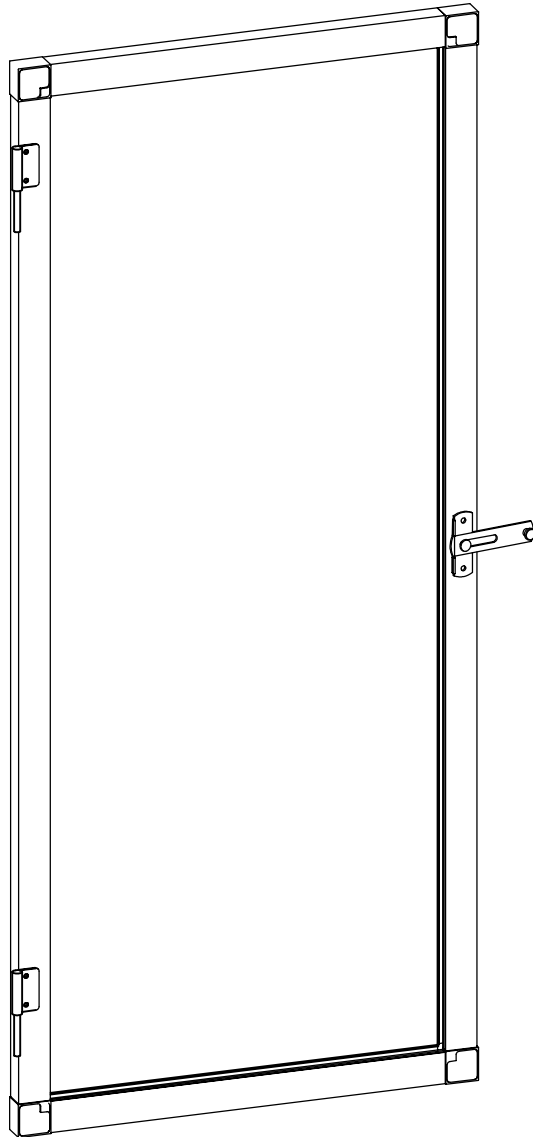
PART	NO.	Qty.
	L01A	2
	L02A	2
	L02B	1
	L03A	1
	L03B	1
	L04A	1
	L06A	1
	L06B	1
	L07A	1
	A	2
	B	2
	Y1	2
	Y2	2

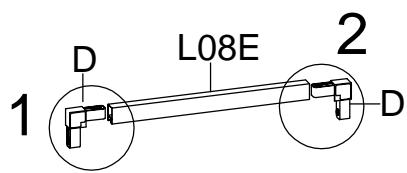
Final

PART	NO.	Qty.
	L09	6
	L10	15
	W01	12
	Z01	30

PART	NO.	Qty.
	L08A	1
	L08B	1
	L08E	2
	D	4
	Y4	1

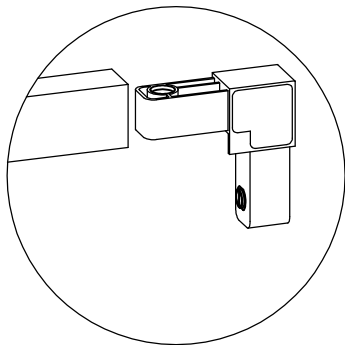
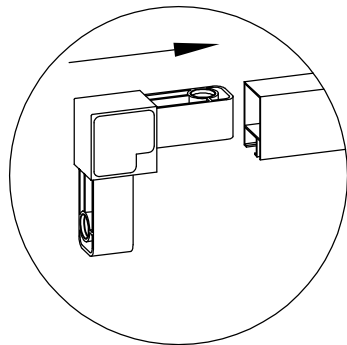
Door1 Frame Assembly





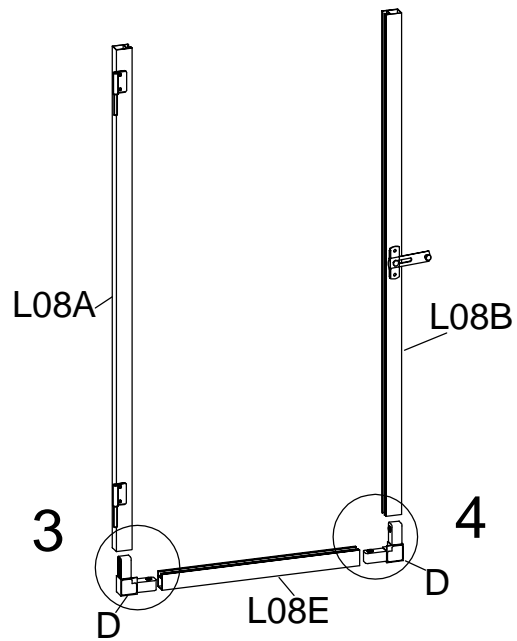
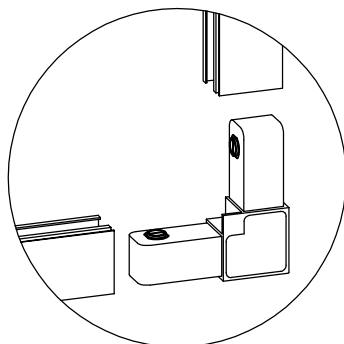
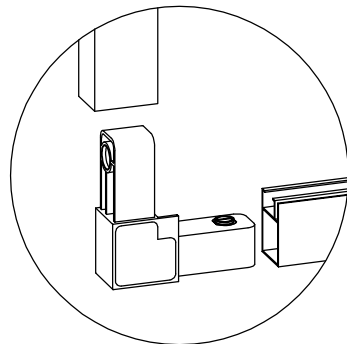
1

2

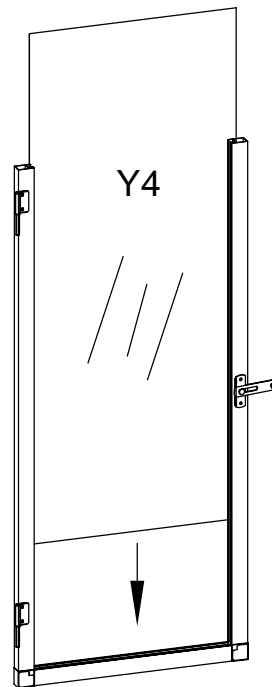
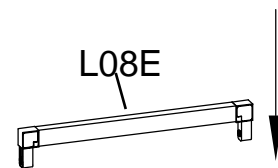


3

4


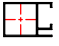





Please adjust the screws in connector D to parallel position and input connector D into Aluminum frame L08E (see above), move to the right position and tighten with screwdriver slightly.

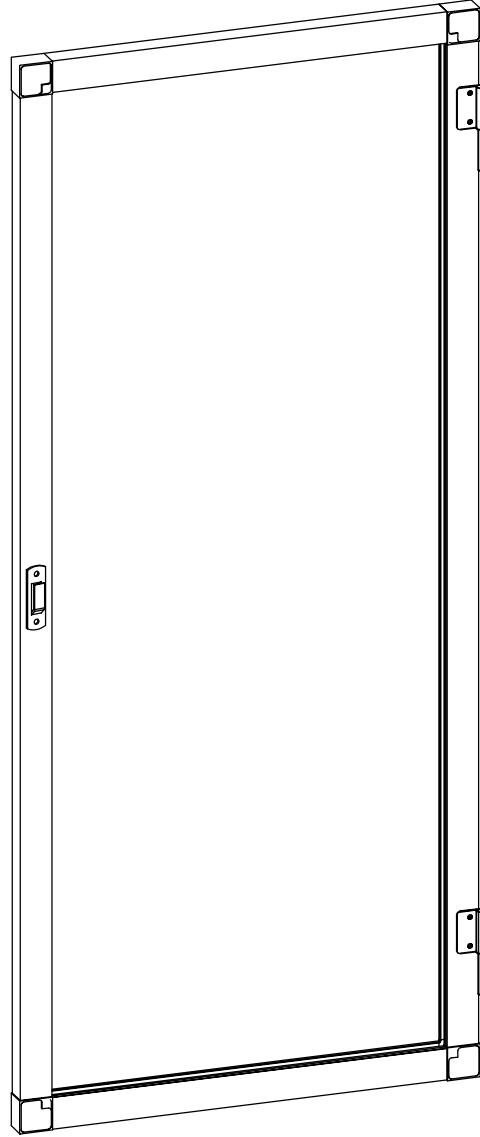


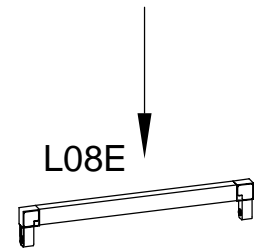
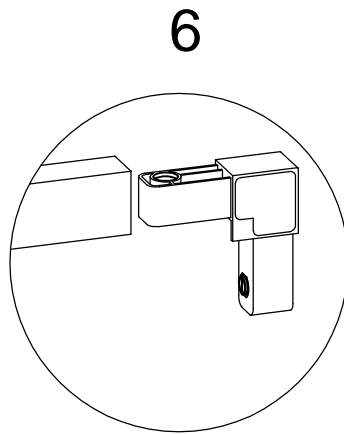
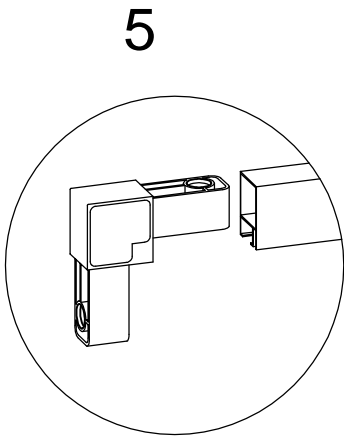
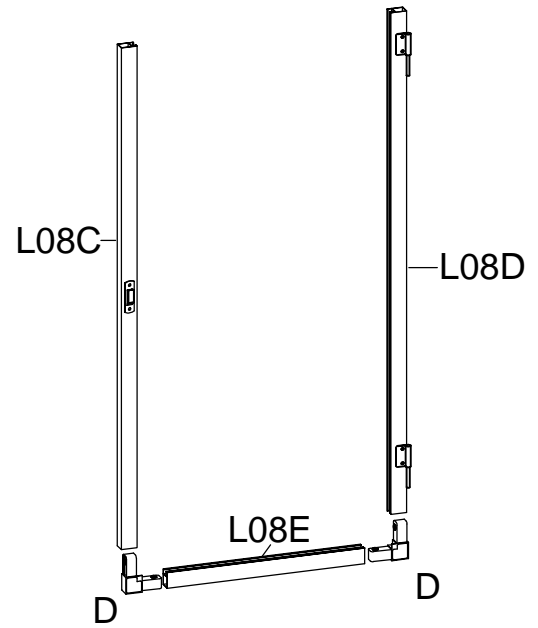
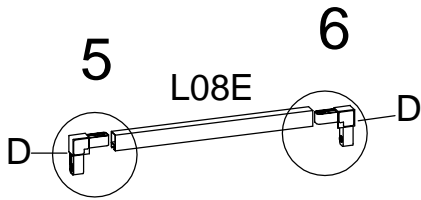
L08E

Slide panel Y4 into the channels of L08A & L08B. Cover Y4 with another L08E.

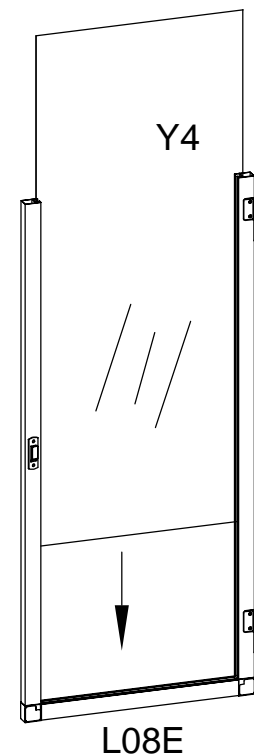
PART	NO.	Qty.
	L08C	1
	L08D	1
	L08E	2
	D	4
	Y4	1

Door2 Frame Assembly









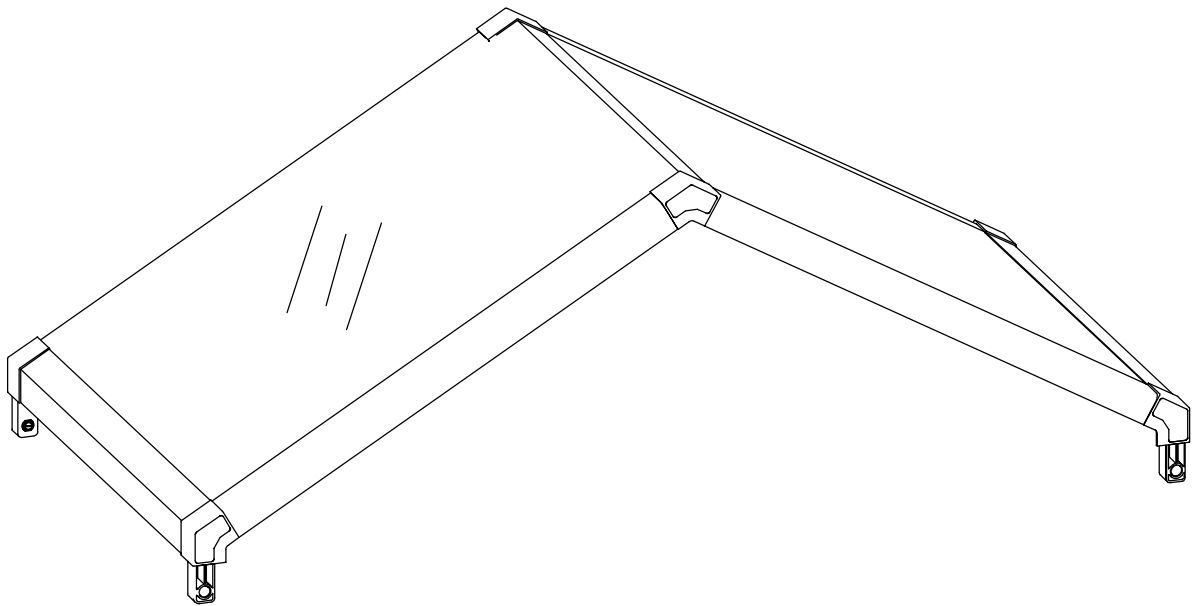
Please adjust the screws in connector D to parallel position and input connector D into Aluminum frame L08E (see above), move to the right position and tighten with screwdriver slightly.

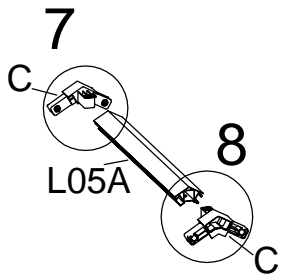


Slide panel Y4 into the channels of L08C & L08D.

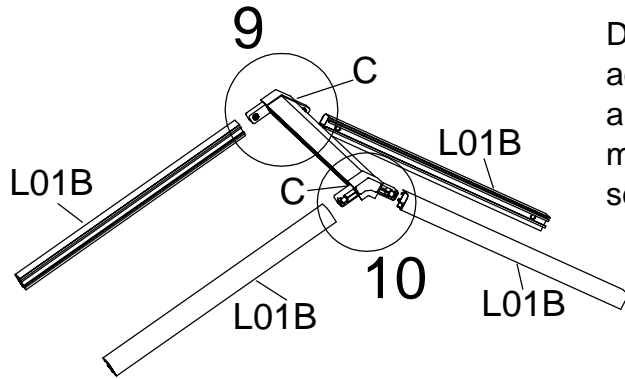
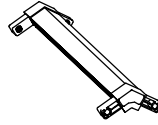
PART	NO.	Qty.
	L01B	4
	L05A	3
	C	6
	Y3	2

Top Frame Assembly

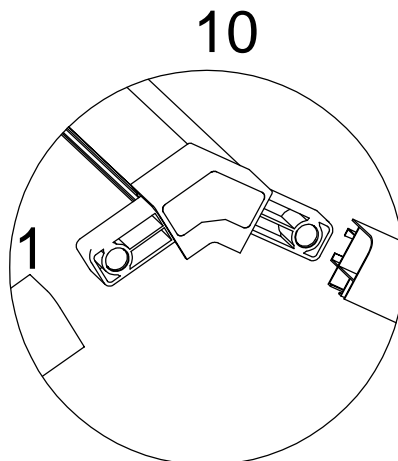
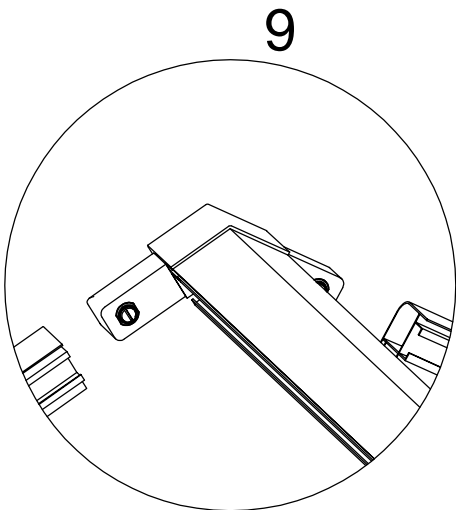
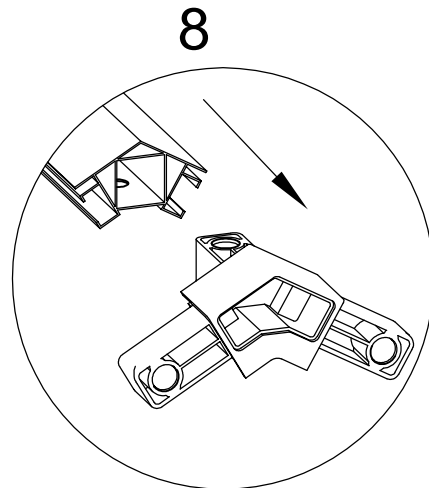
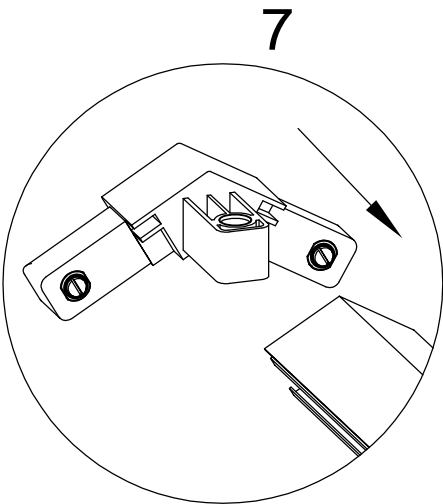




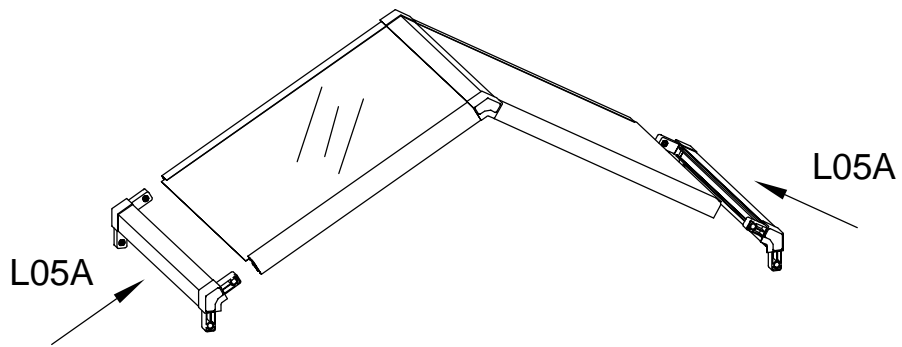
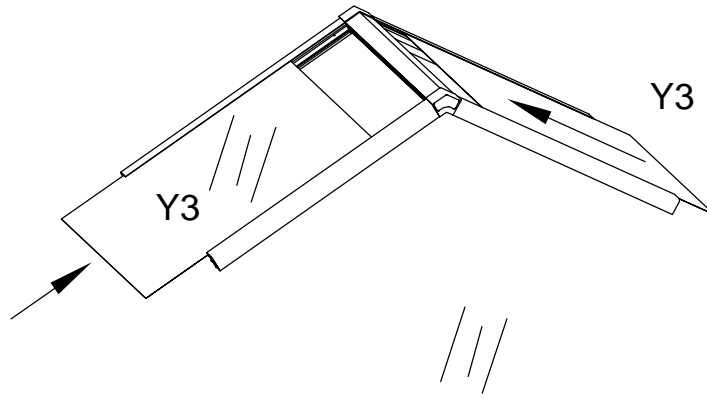
Note: L05A total 3pcs.







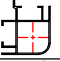
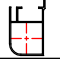
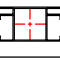
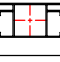
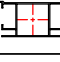
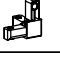



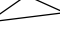
Do the same for connector C as D, adjust the screws to parallel position and input into Aluminum frame L01B (see below), move to the right position and tighten with screwdriver slightly.



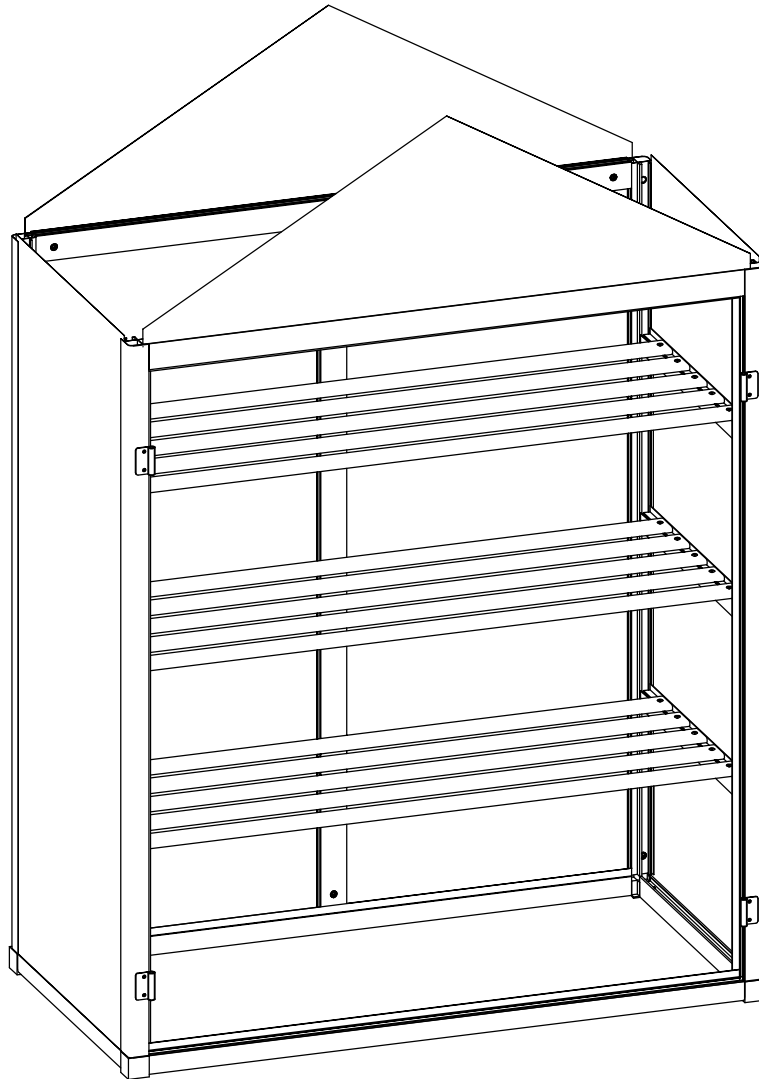
Slide panel Y3 into the channels of L01B .



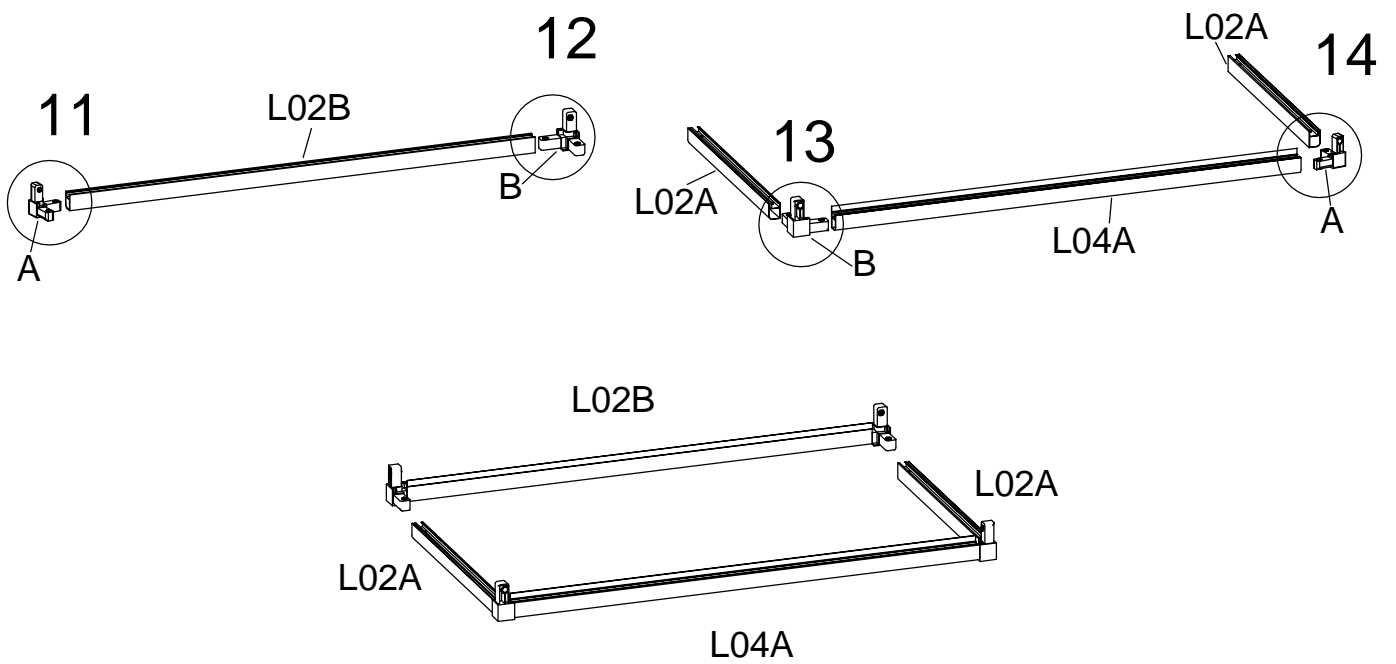
Lock the panels with L05A (see aboved).

PART	NO.	Qty.
	L01A	2
	L02A	2
	L02B	1
	L03A	1
	L03B	1
	L04A	1
	L06A	1
	L06B	1
	L07A	1
	A	2
	B	2
	Y1	2
	Y2	2
	Y5	2

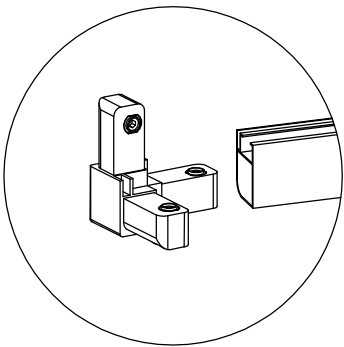
Bottom Frame Assembly



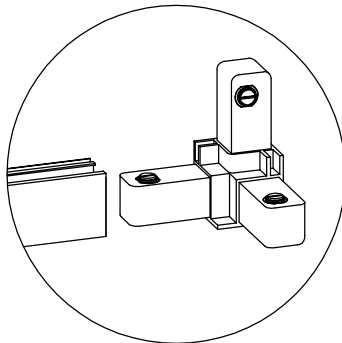
Use connector A&B to connect L02A (2pcs), L04A and L02B (See below).



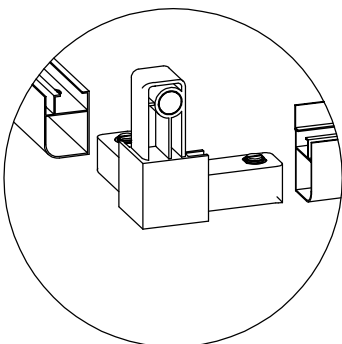
11



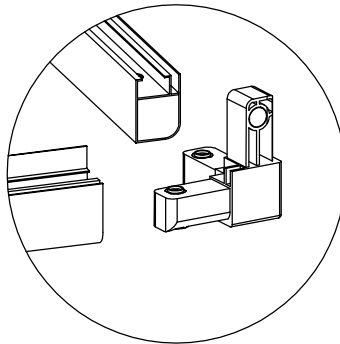
12

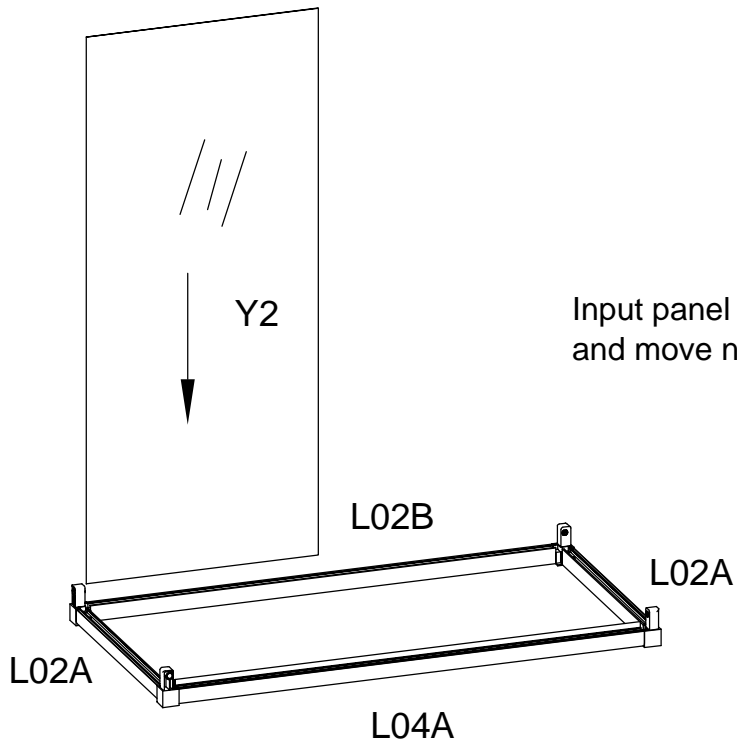


13

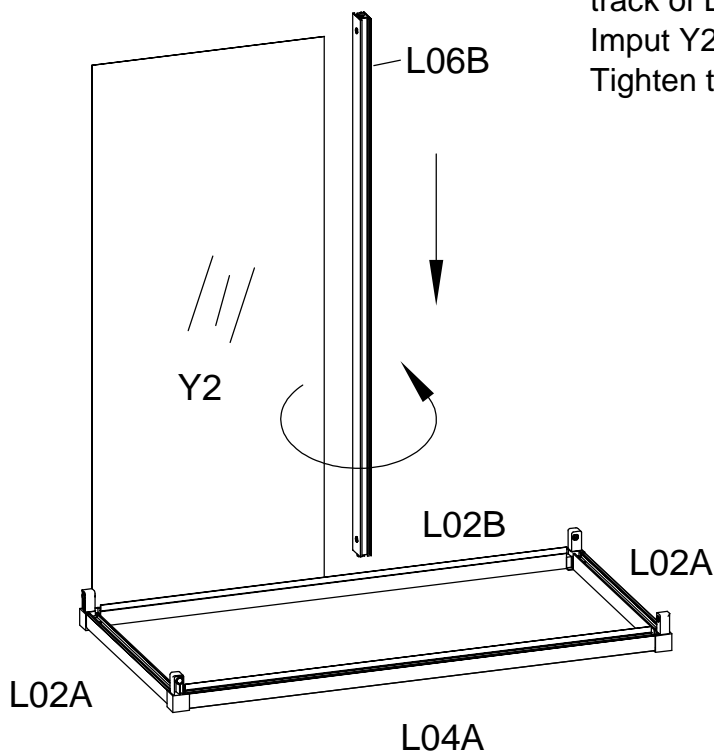


14



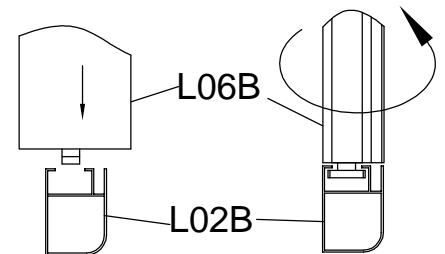


Input panel Y2 into the track of L02B, and move next to connector A.

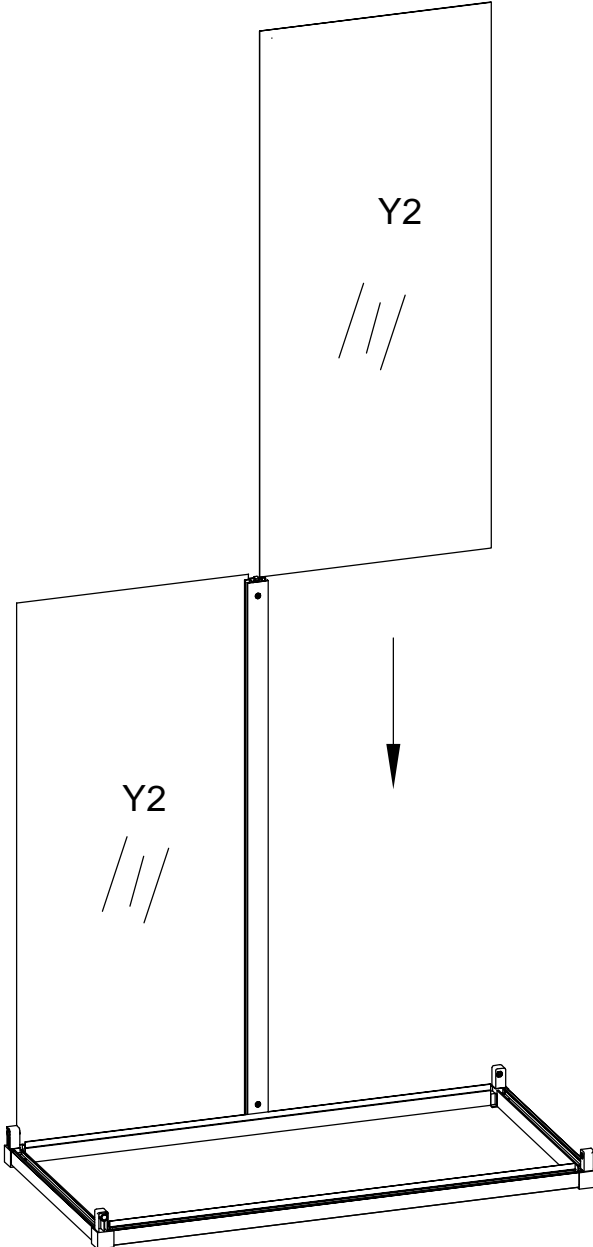


Important:

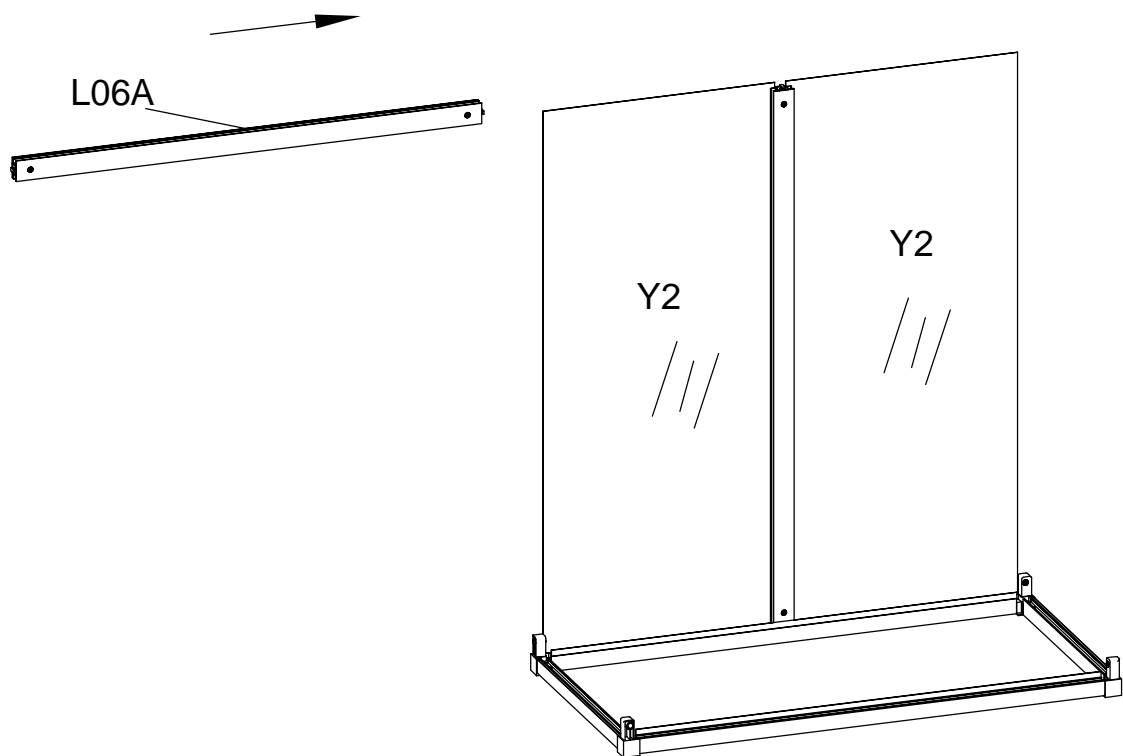
See right picture, input L06B into the track of L02B and turn over 90 degrees (as shown). Input Y2 slightly into the track of L06B. Tighten the screw in L06B when Y2 is fully in.

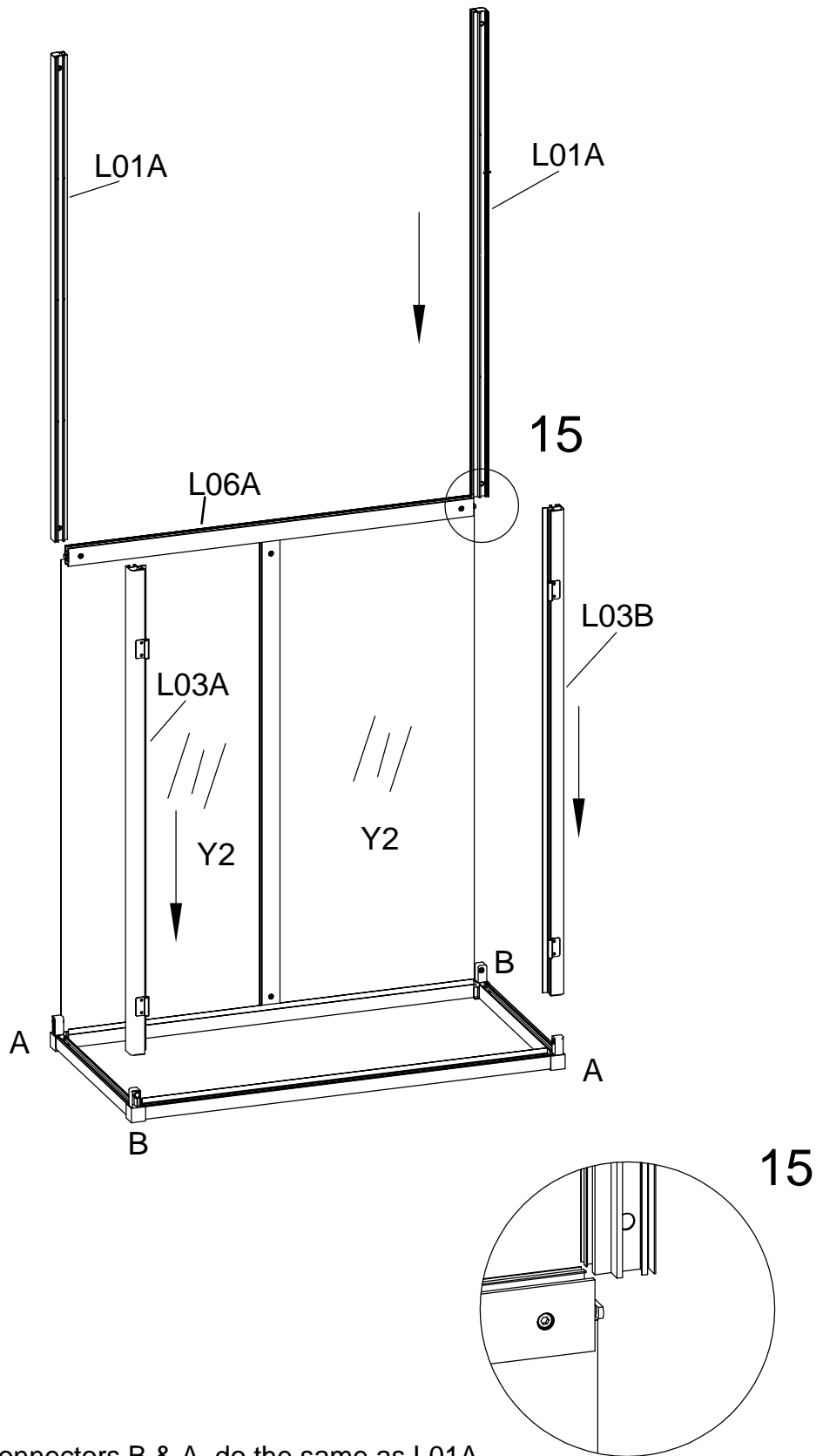


Slide another Y2 slightly into the track of L06B (see below).



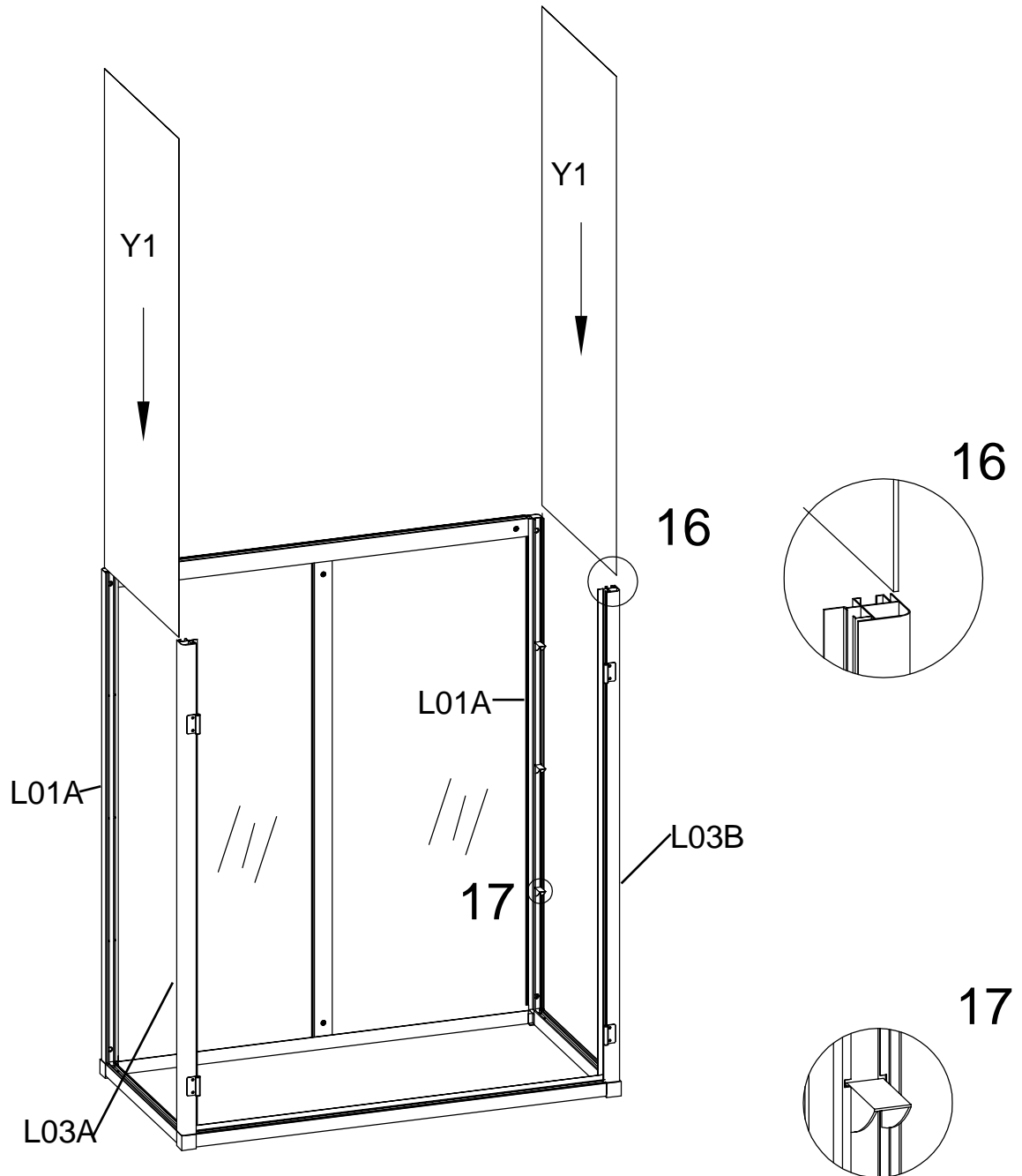
Slide L06A from side into Y2 and L06B.
Make sure Y2 and L06B are fully in before tightening the screws in L06A.





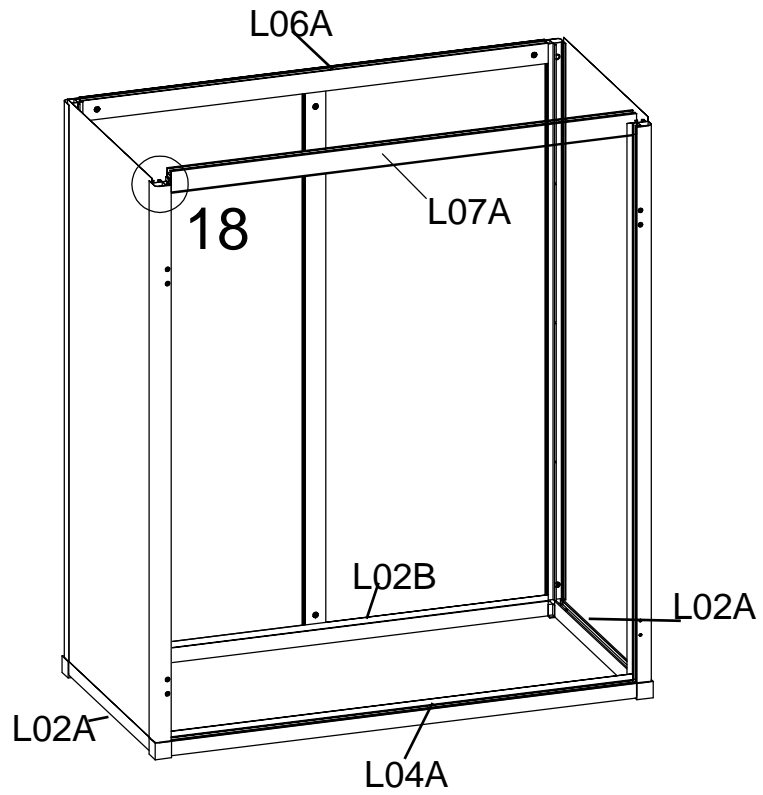
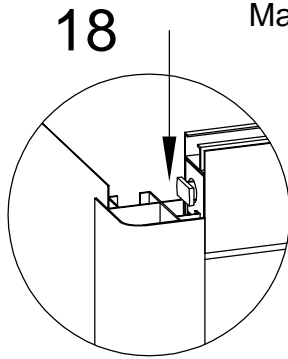
Input L03A & L03B into connectors B & A, do the same as L01A.
 Make sure Y2 and L06A are fully in the tracks of L01A.
 Tighten all the screws accordingly.

Slide Panel Y1 (2pcs) into L01A&L03A and L01A&L03B (see below).

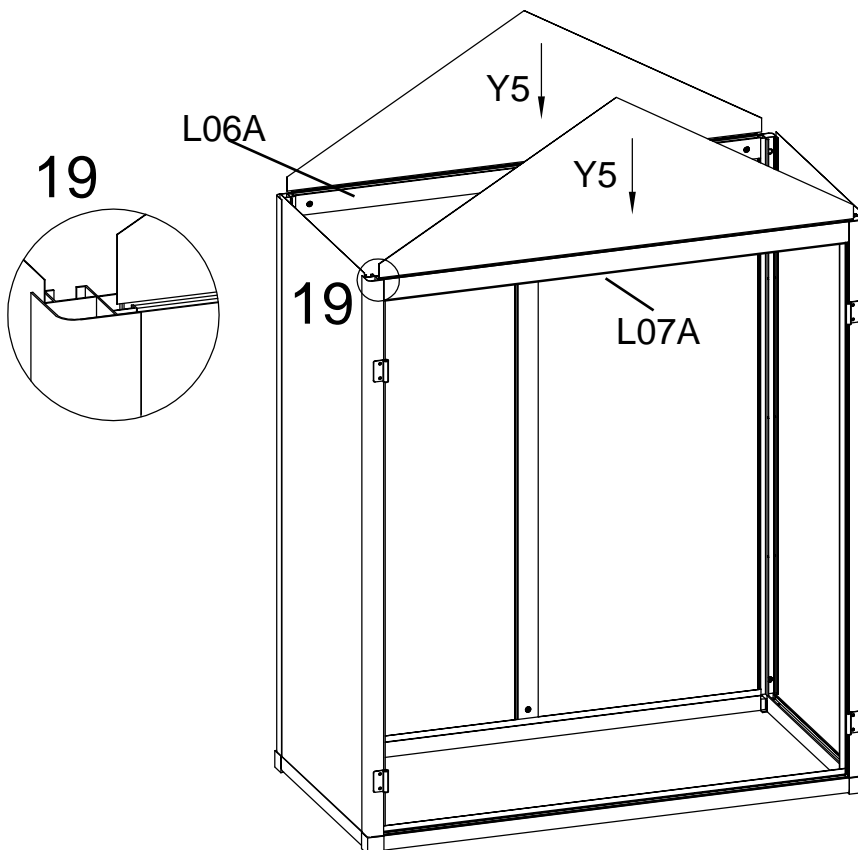


Important: please pay attention to the direction.

Input L07A into L03A & L03B.
Make sure they are in the right position before tightening the screws.



Input 2 Y5 into L06A & L07A (see below).

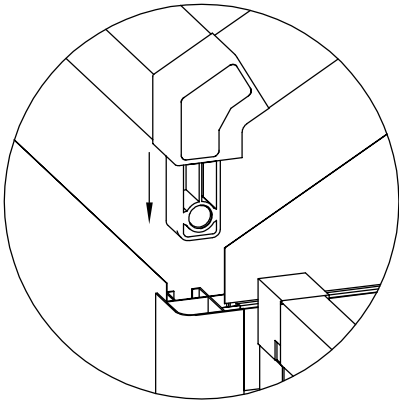


Input the connectors into the holes of the aluminum frame (see below).
Tighten the screws when they are in the right position.



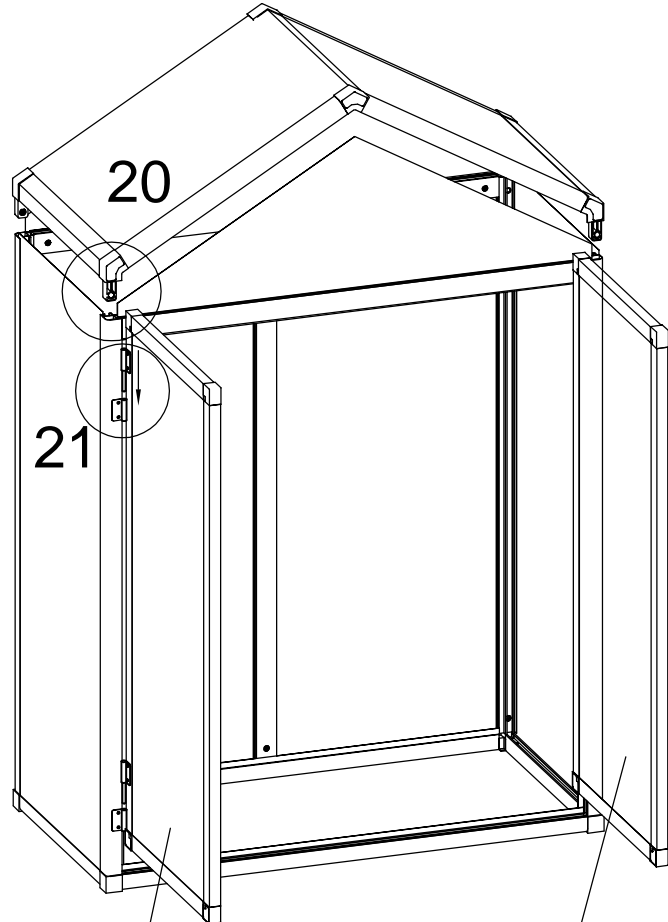
Top Frame Assembly

20



20

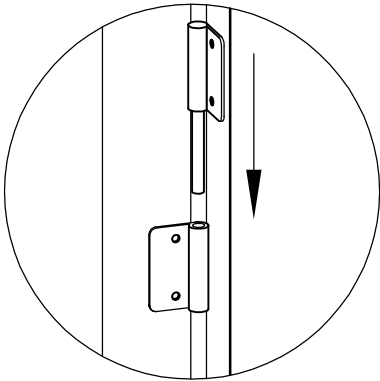
21


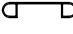




Door1 Frame Assembly

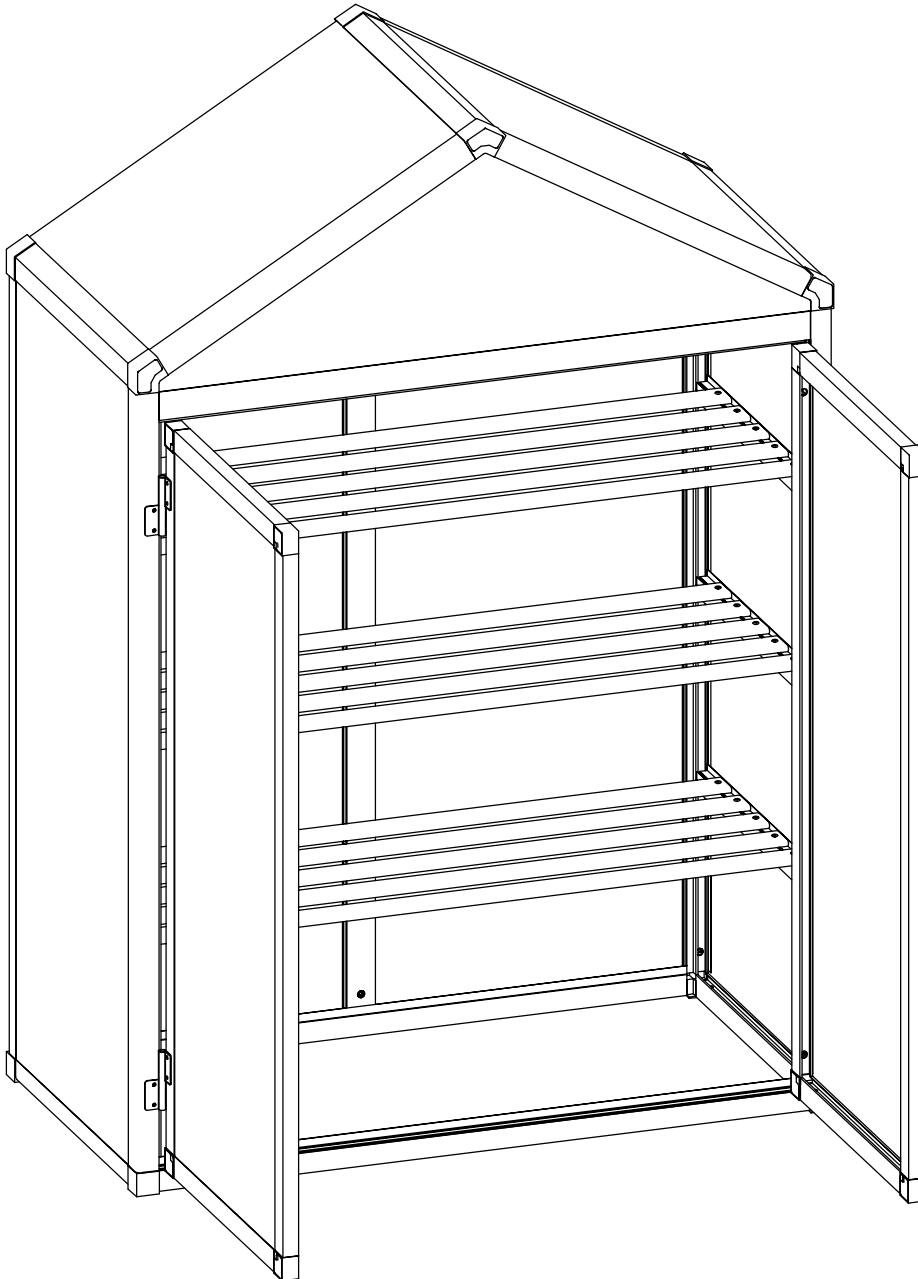
Door2 Frame Assembly

21

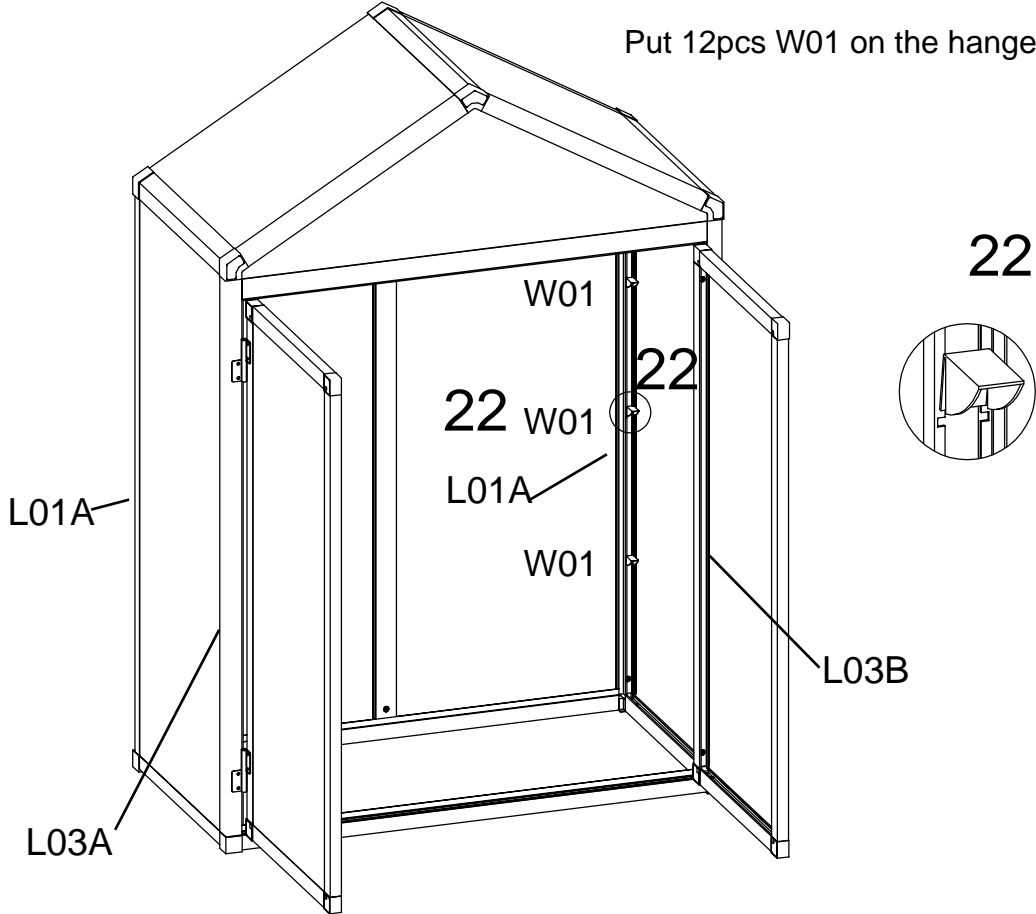


	L09	6
	L10	15
	W01	12
	Z01	30

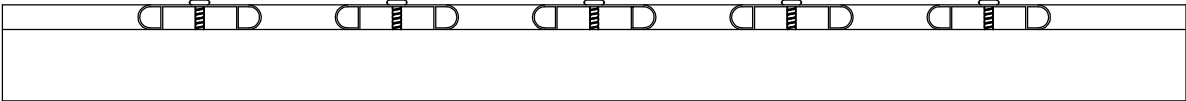
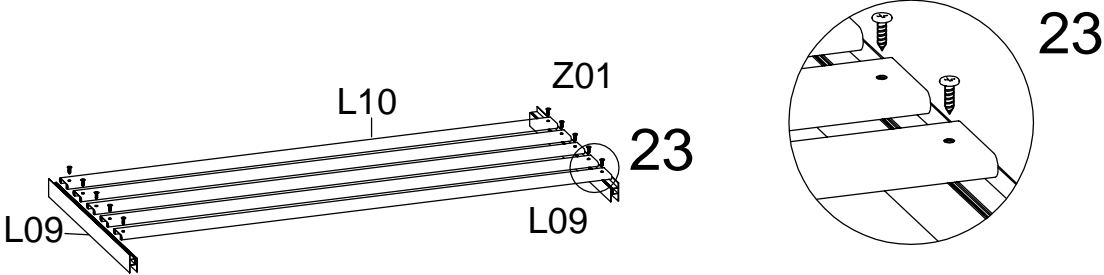
Final



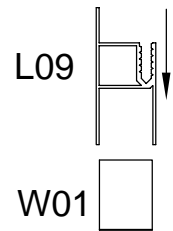
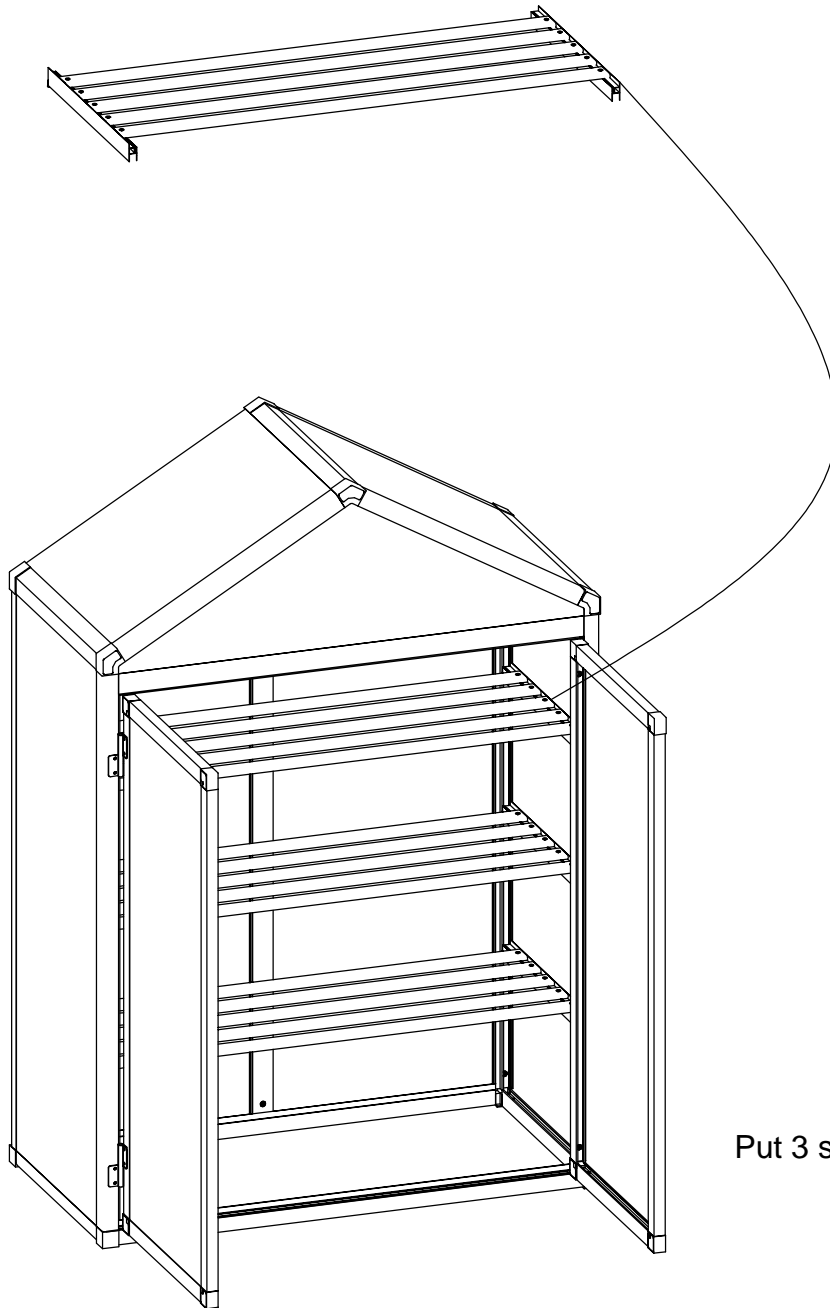
Put 12pcs W01 on the hangers of L01A, L03A & L03B.



Use screws to fix L10 on frame L09.



3 shelves



Put 3 shelves onto W01.