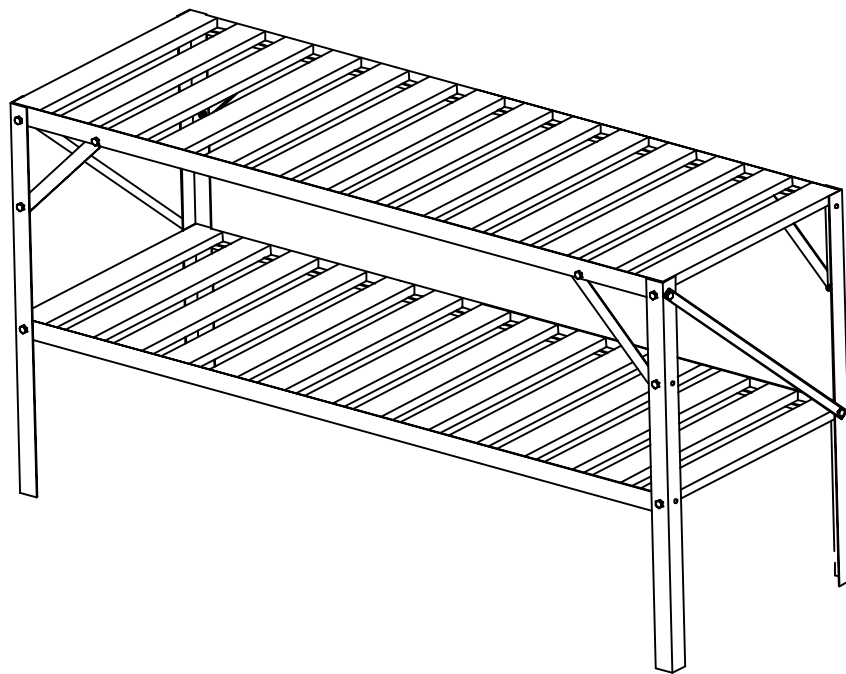





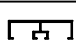





EarthCare Double Greenhouse Shelving

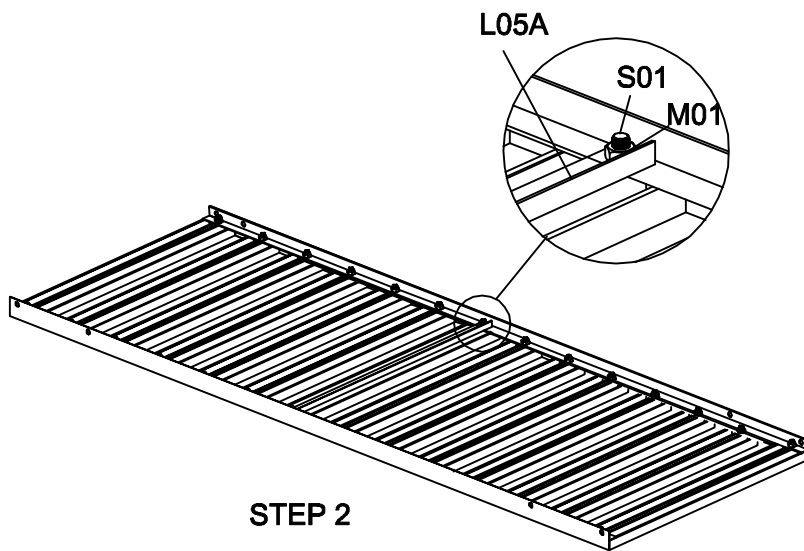
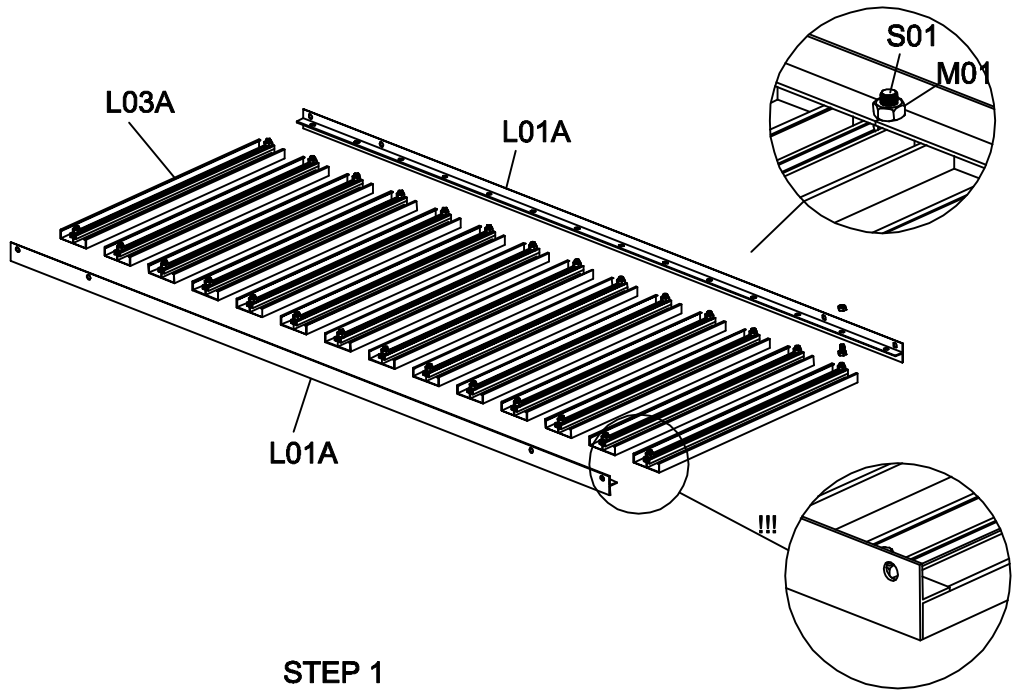
Assembly instruction

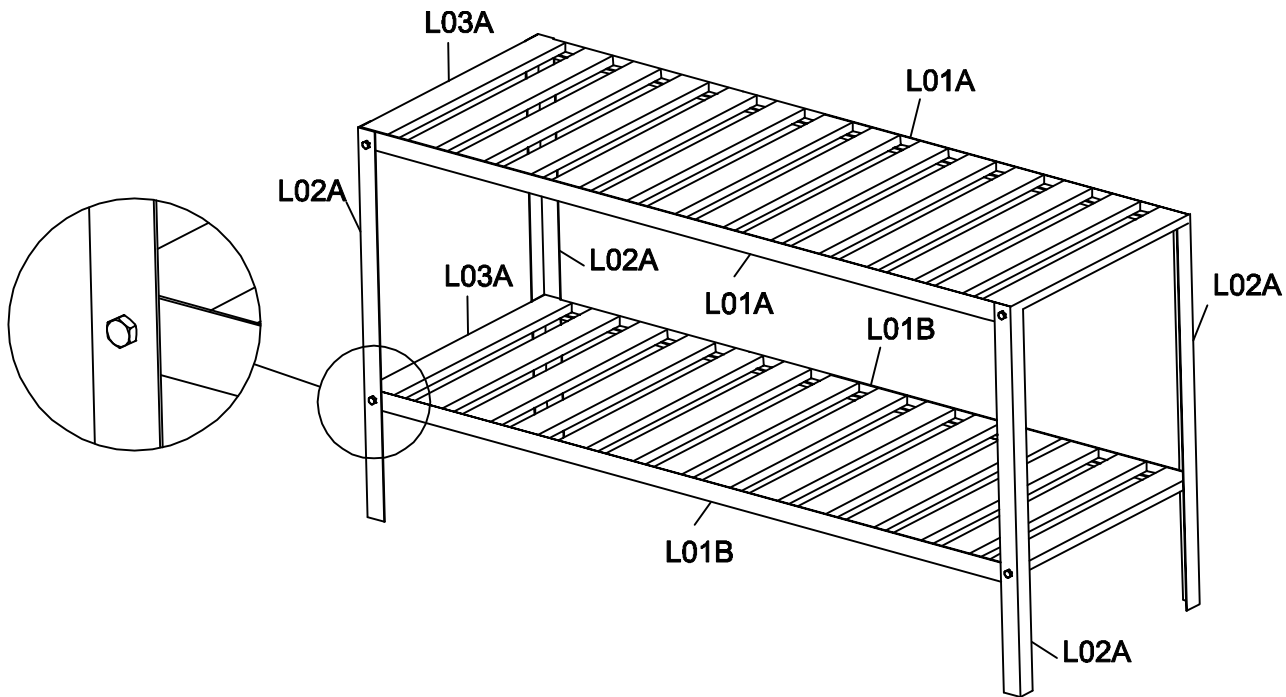


PRODUCT SIZE 50"L x 20"D x 30" H Two Shelves

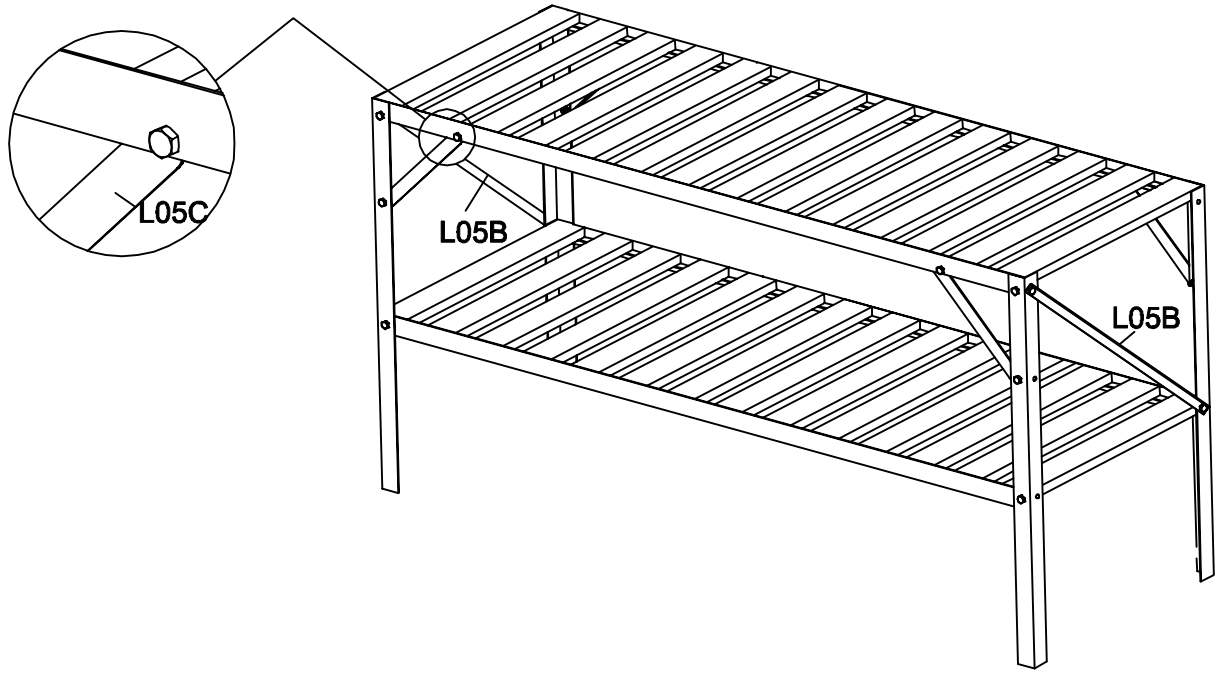
PLEASE READ CAREFULLY BEFORE ASSEMBLY

Part No.	Part	QTY.
L01A		2
L01B		2
L02A		4
L03A		28
L05A		2
L05B		2
L05C		4
S01		76
M01		76





STEP 3



STEP 4