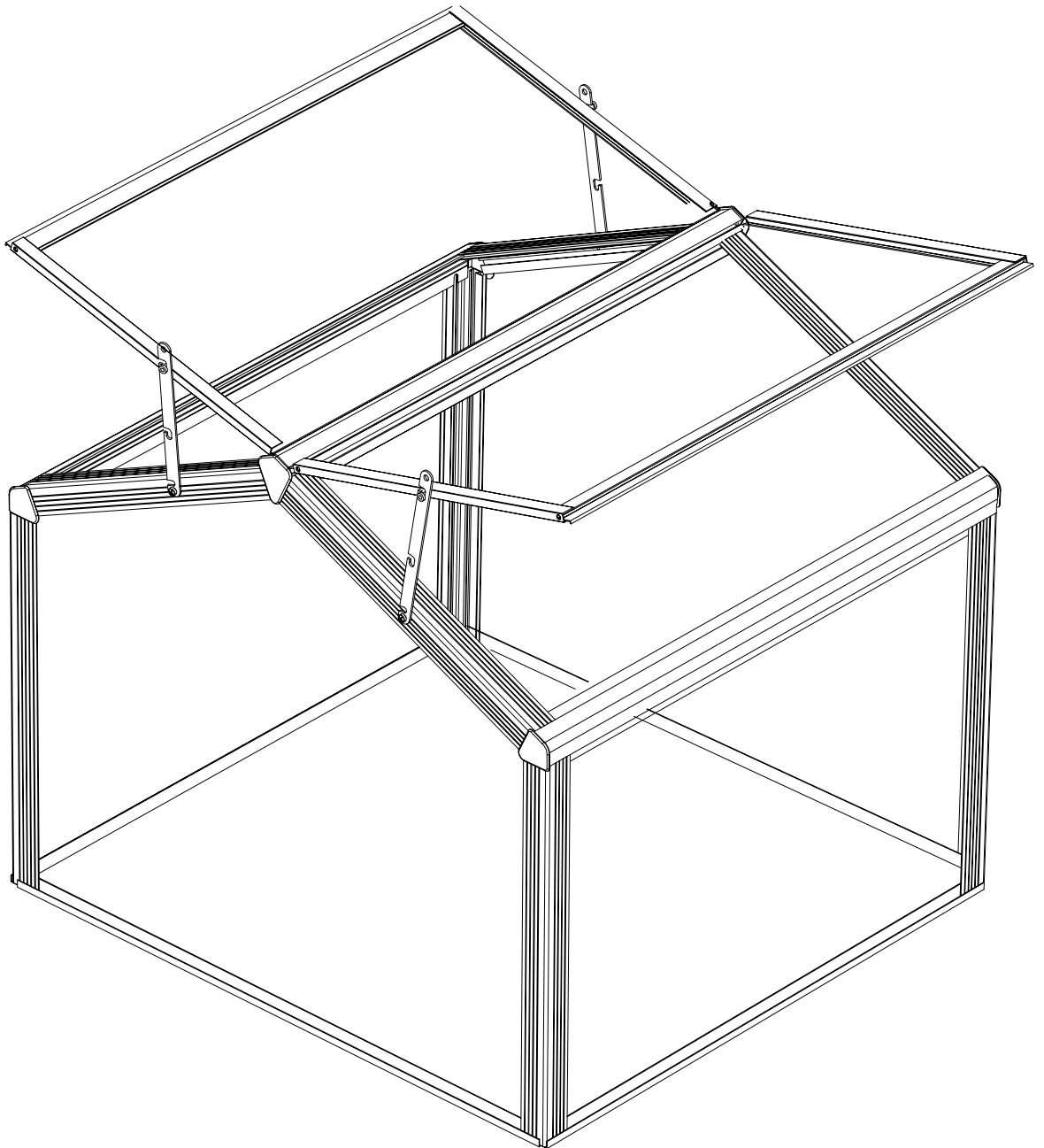


Earth Care Double Cold Frame



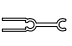
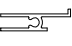
Assembly instruction





PRODUCT SIZE(LxWxH): **3'4" X 4'**

PLEASE READ CAREFULLY BEFORE USE





Window Assembly

Profile	Letter	QTY.
	L16A	2
	L16B	2
	L06	2
	L07	2



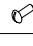
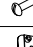
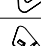


Polycarbonate

Profile	Letter	QTY.
	Y1	2
	Y4	2
	Y2	2

(P2~P5)Body Frame Assembly

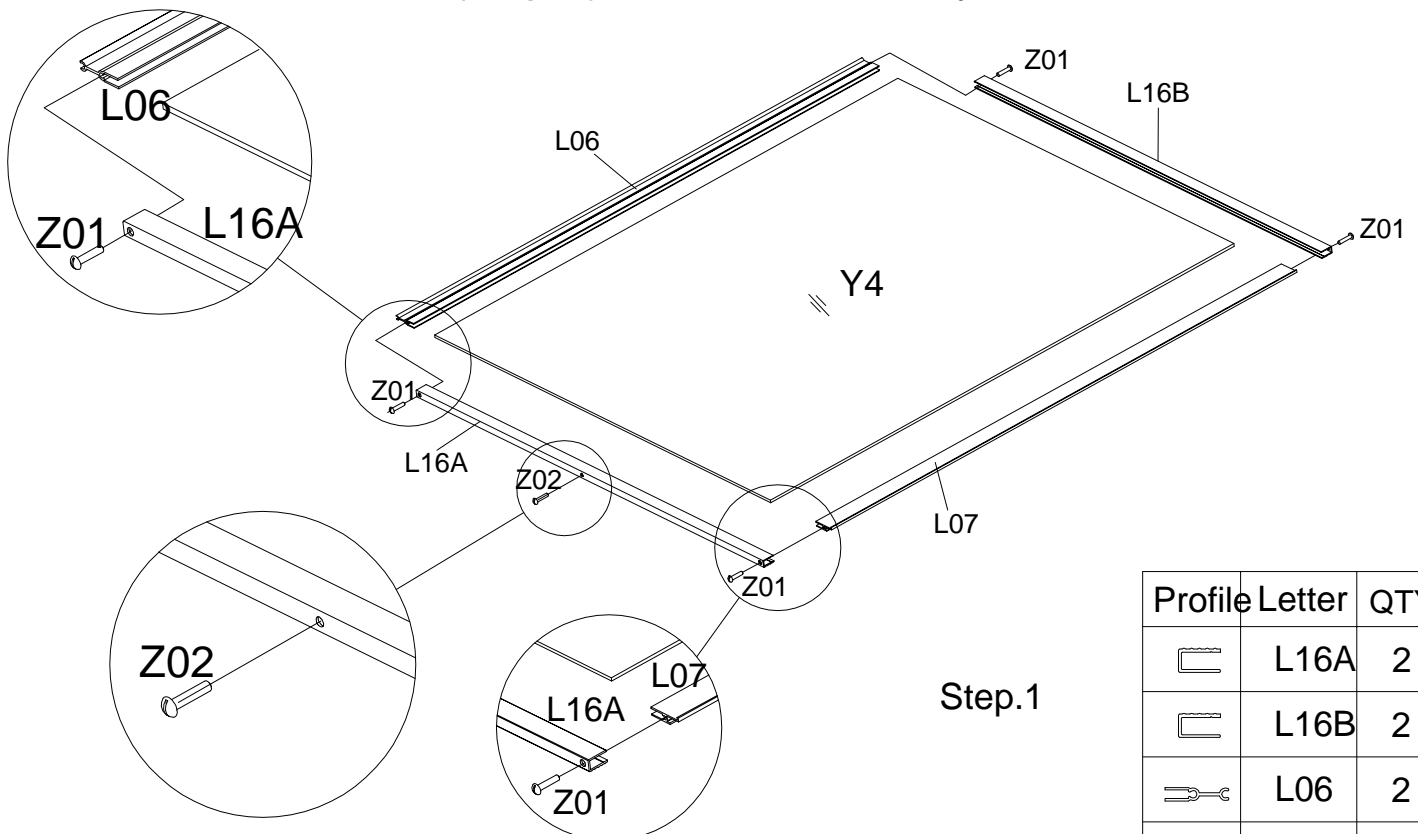
Profile	Letter	QTY.
	L01A	4
	L01B	2
	L01C	2
	L02A	2
	L02B	2
	L03A	2
	L05A	1



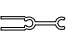
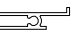
SPARE PARTS



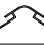
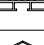
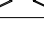
Profile	Letter	QTY.
	S01	20
	M01	20
	Z01	12
	Z02	4
	J01	2
	J02R/L	4
	W01	4

Notice: Please make sure the PC panel the side with words faces out.

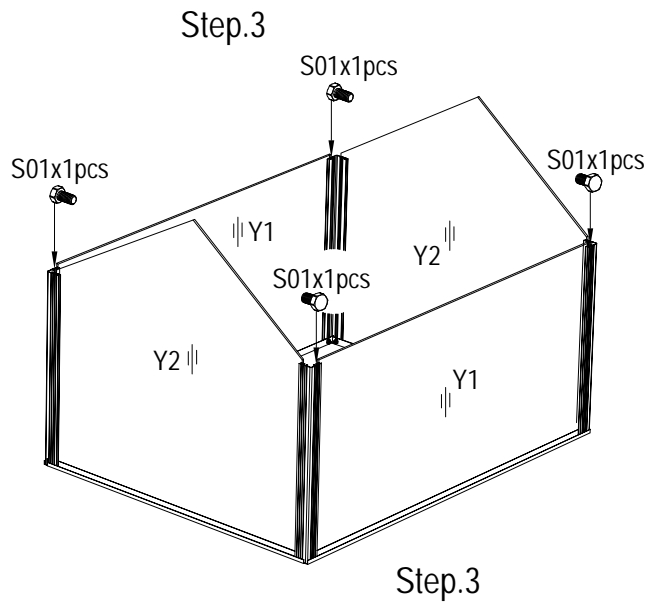
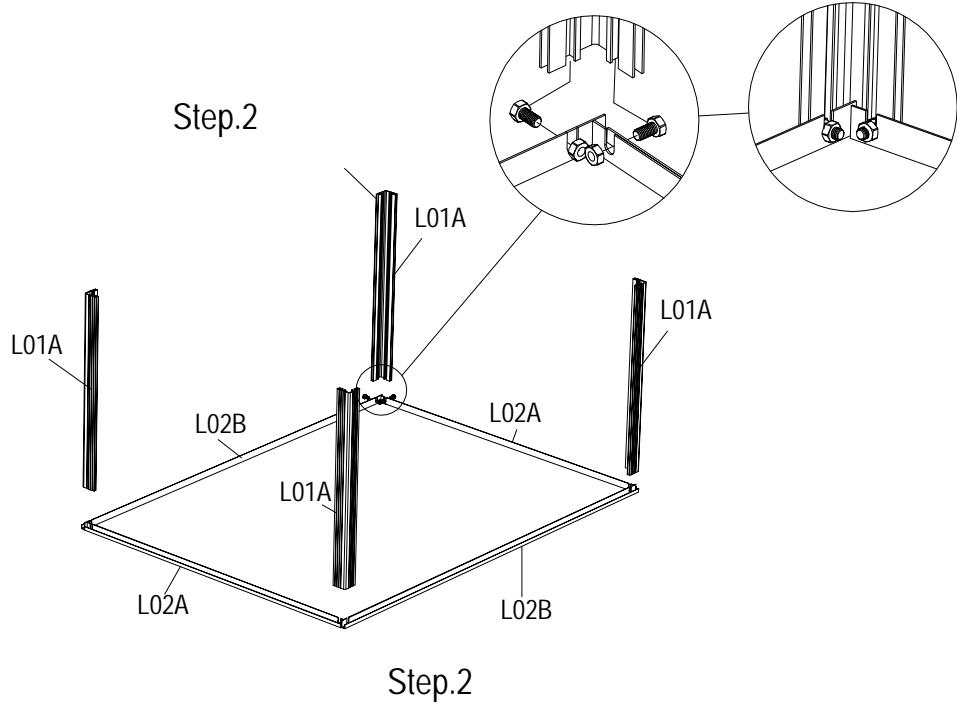
(step.1) Window Assembly



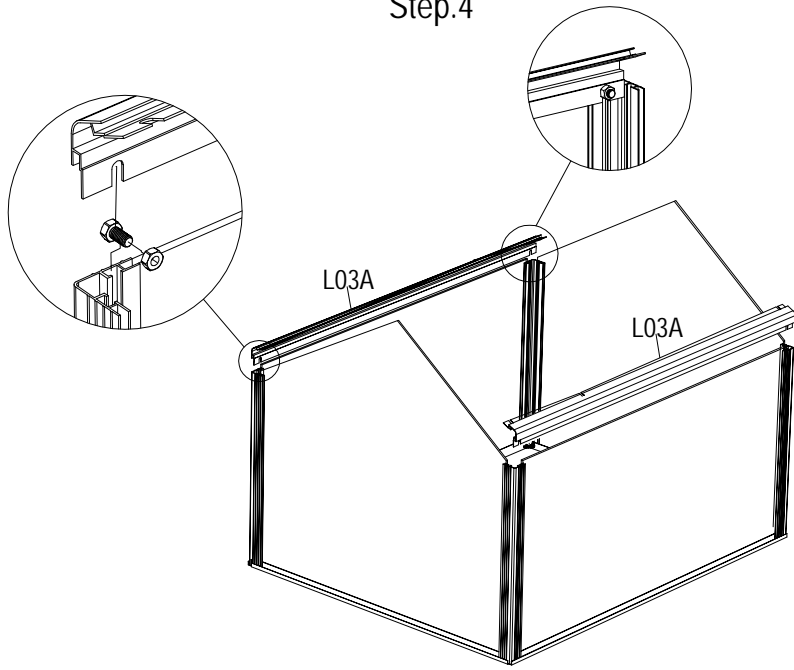
Profile	Letter	QTY.
	L16A	2
	L16B	2
	L06	2
	L07	2

Profile	Letter	QTY.
	L01A	4
	L01B	2
	L01C	2
	L02A	2
	L02B	2
	L03A	2
	L04A	2
	L05A	1

(P2~P5)Body Frame Assembly

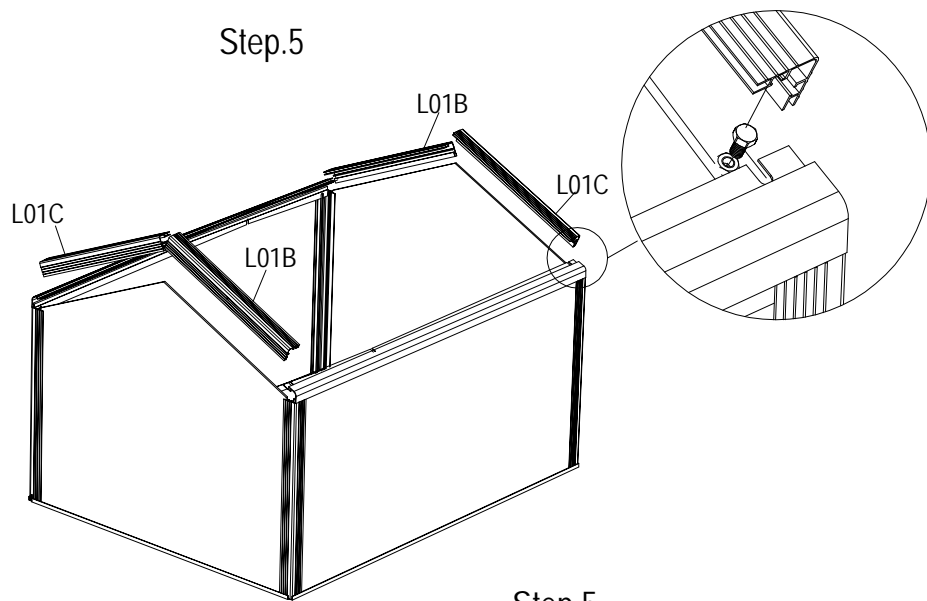


Step.4

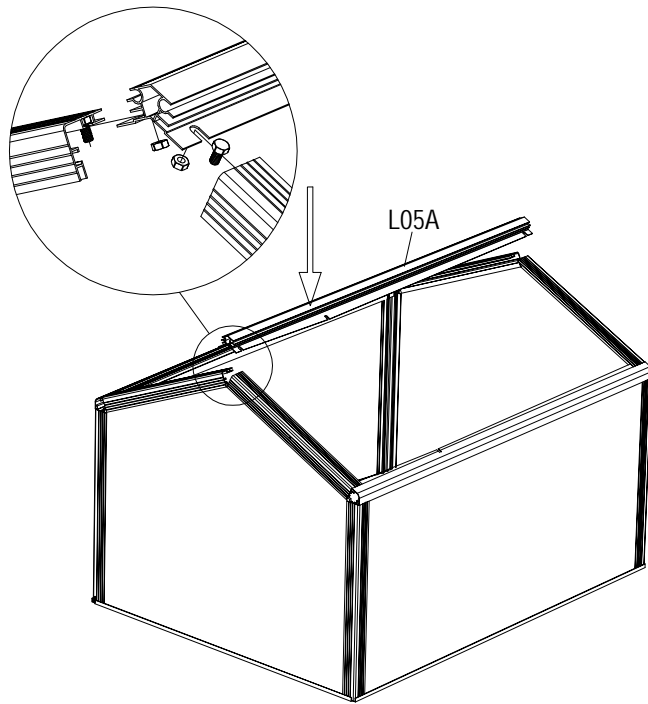


Step.4

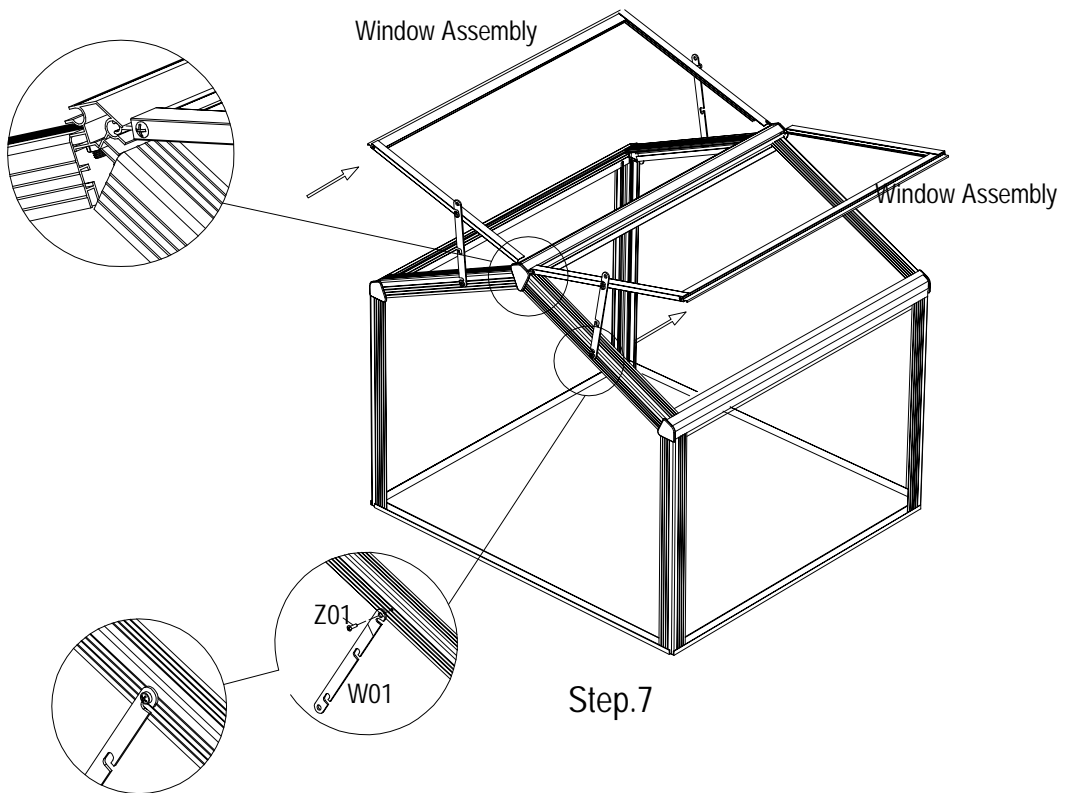
Step.5



Step.5



Step.6



Step.7

