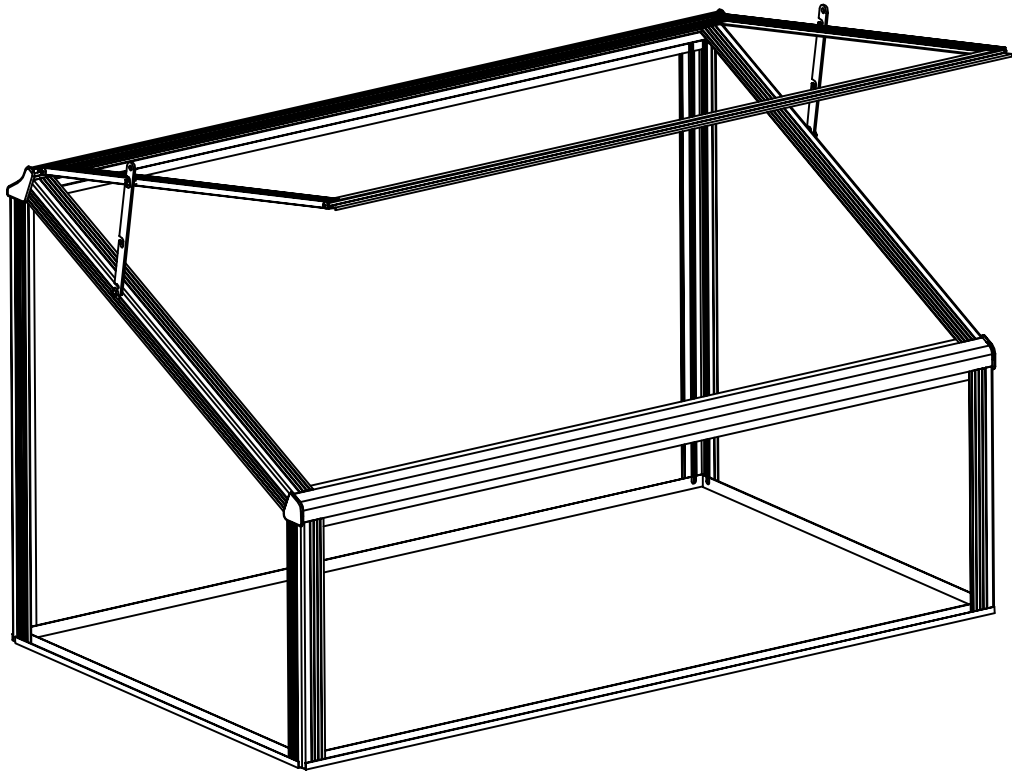





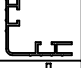


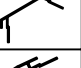
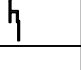
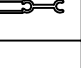
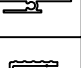
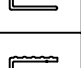








Earth Care Single Cold Frame

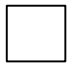
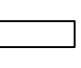
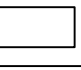
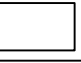
Assembly instruction

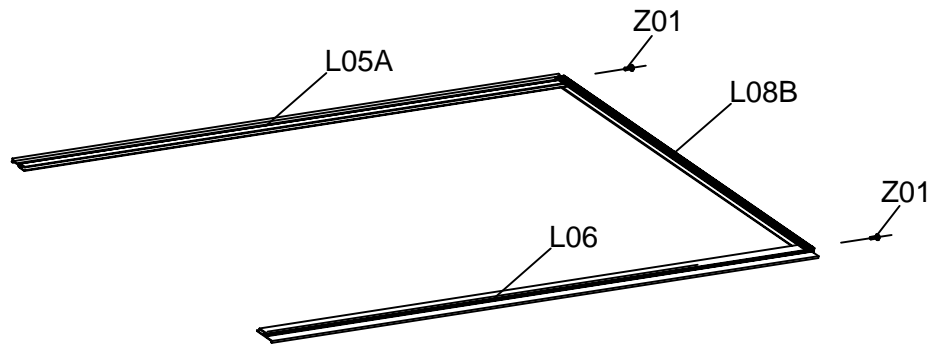


PRODUCT SIZE(LxWxH): 3'4" x 2' x 2'

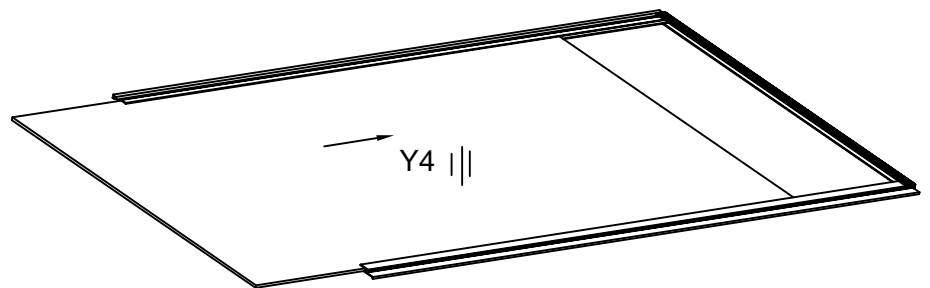
PLEASE READ CAREFULLY BEFORE ASSEMBLY

Profile	Letter	QTY.
	L01A	2
	L01B	2
	L01C	1
	L01D	1
	L02A	2
	L02B	2
	L03A	1
	L04A	1
	L05A	1
	L06	1
	L08A	1
	L08B	1
	S01	16
	M01	16
	Z01	6
	Z02	2
	W02	2
	JO2R/L	1/1
	J01	2

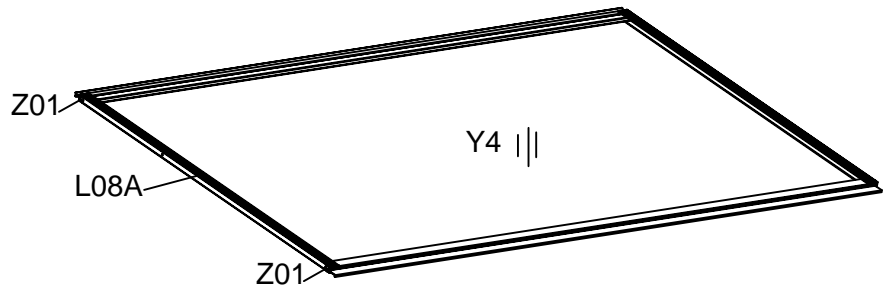
Profile	Letter	QTY.
	Y1	2
	Y2	1
	Y3	1
	Y4	1



step 1

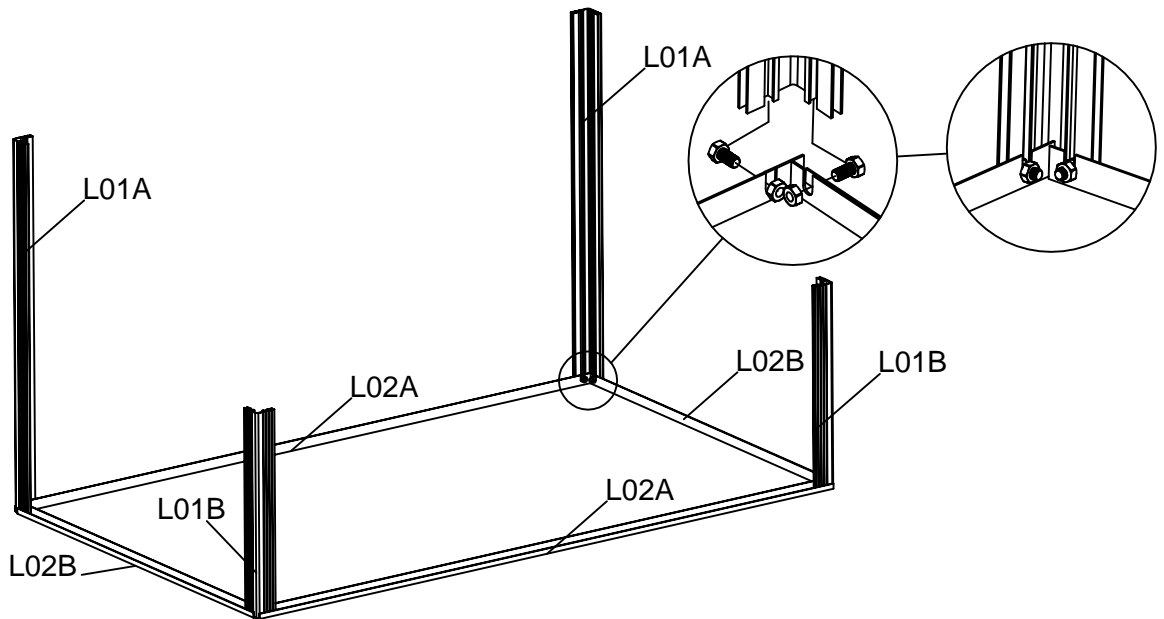


step 2

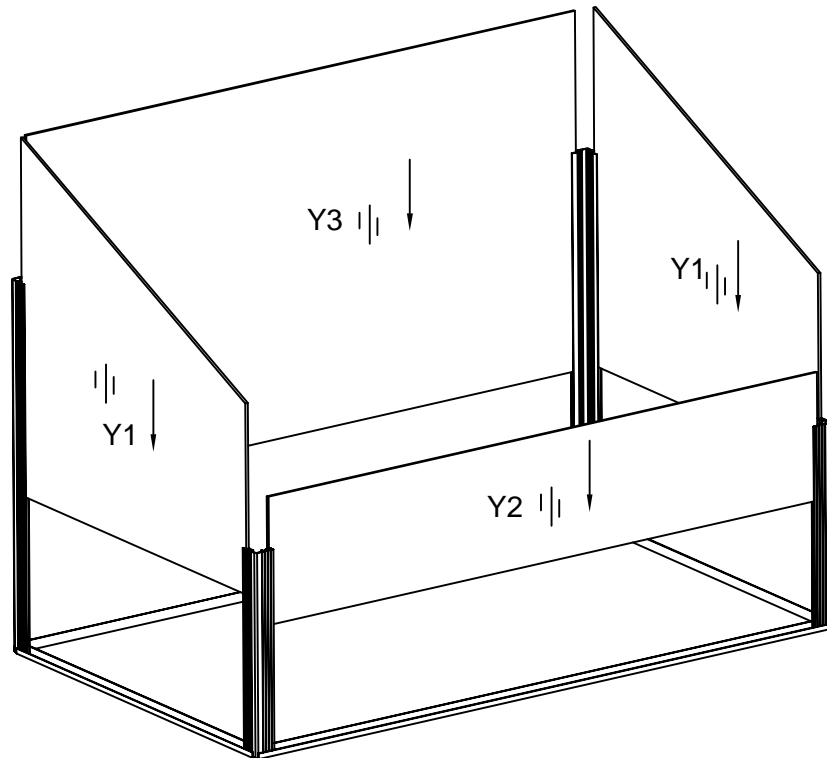


step 3

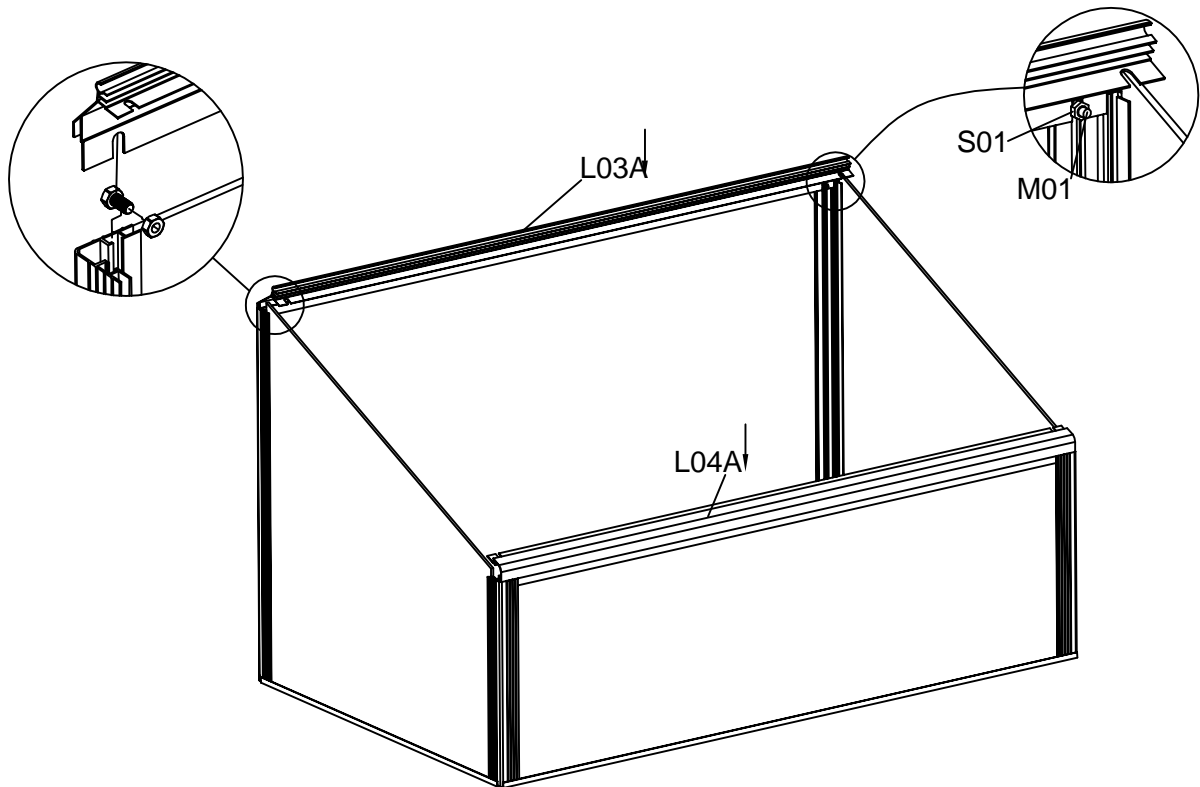
Notice: Please make sure the PC panel the side with words faces out.



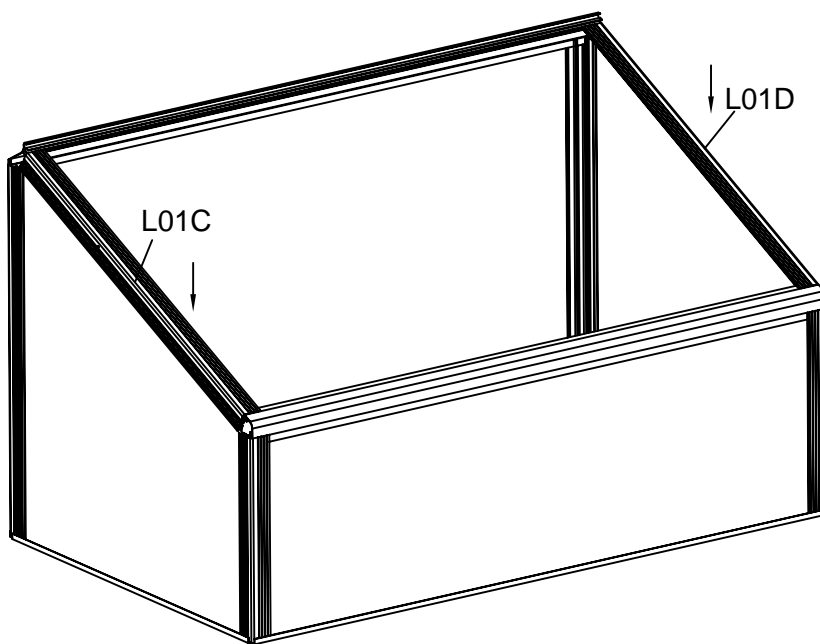
step 4



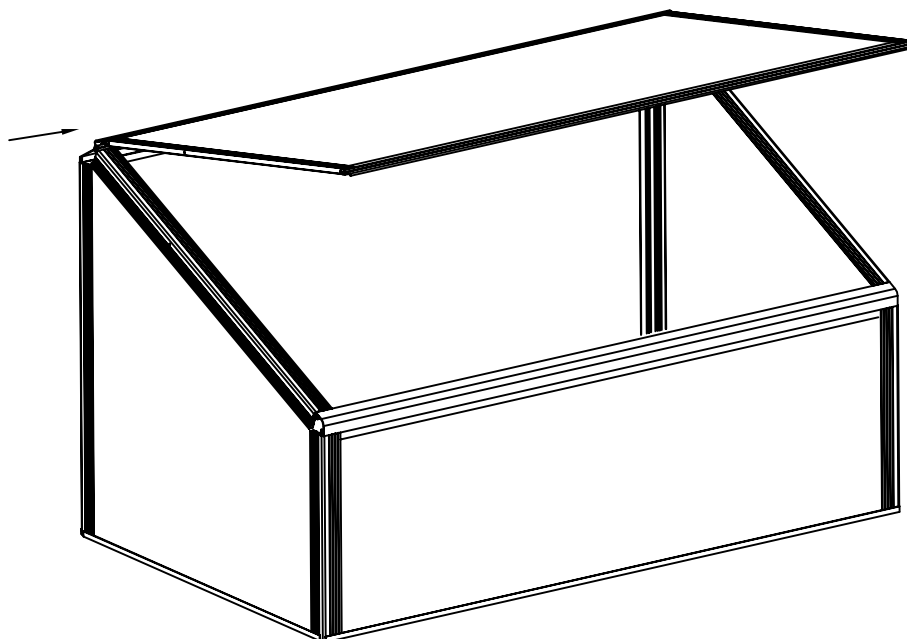
step 5



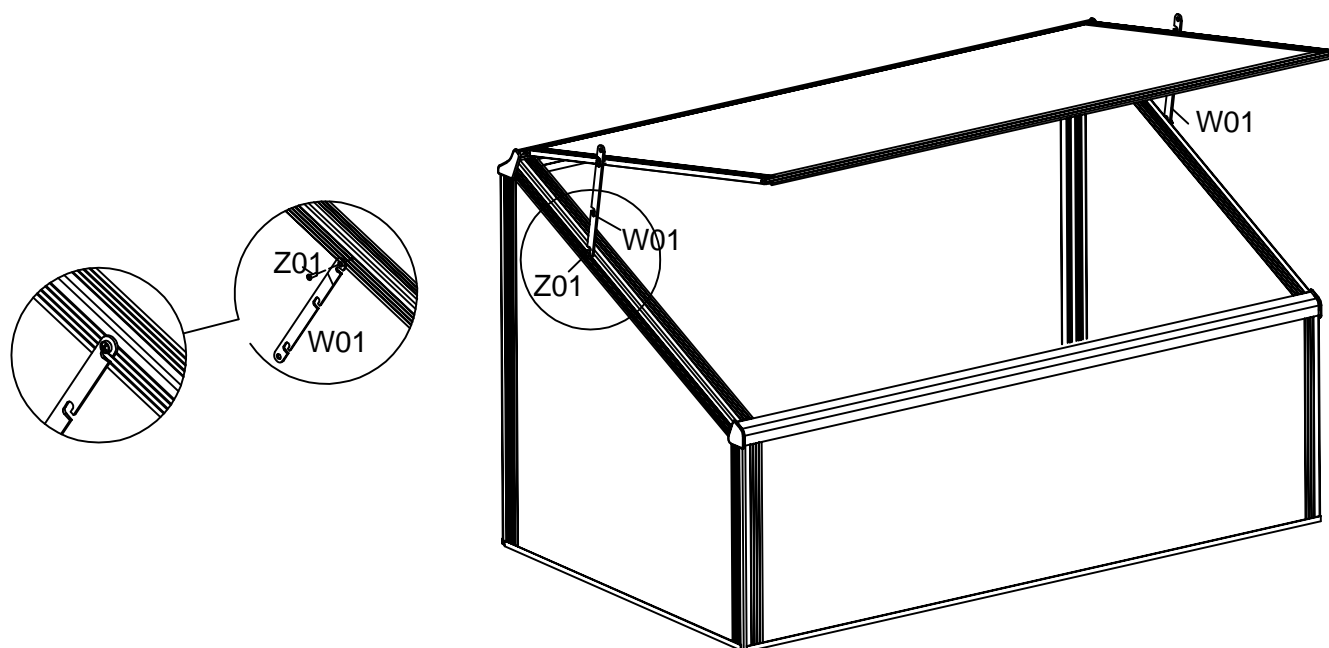
step 6



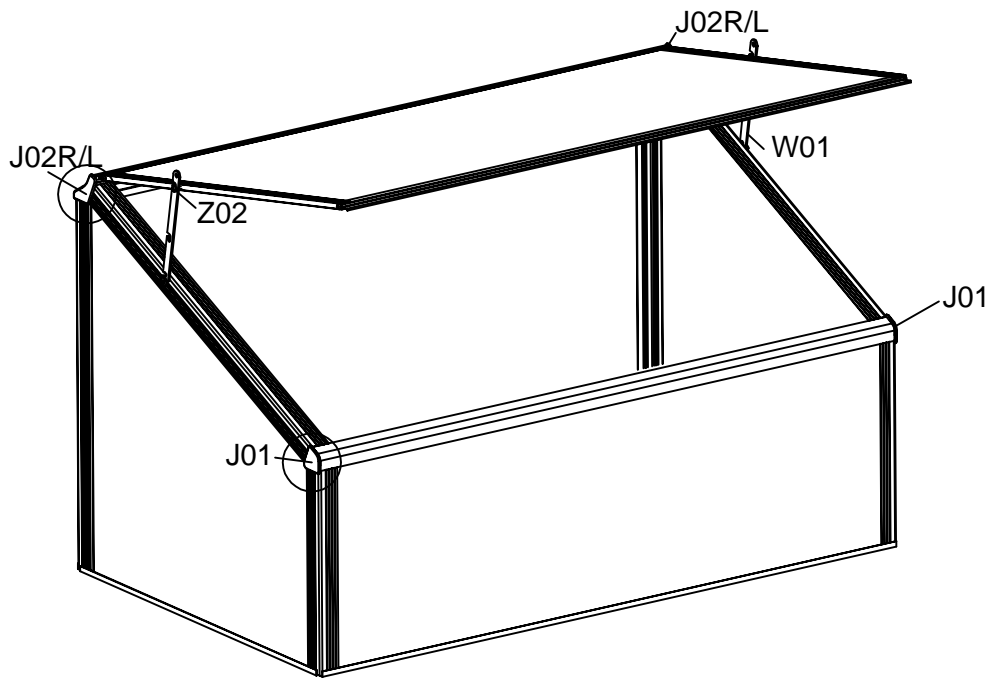
step 7



step 8



step 9



step 10

