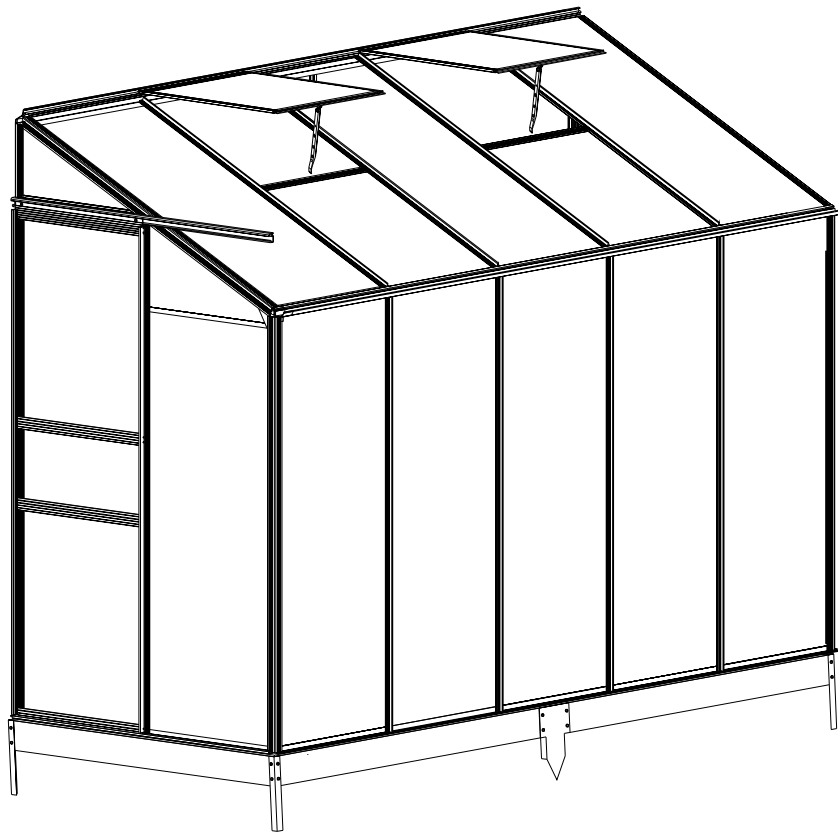





Lean To Greenhouse

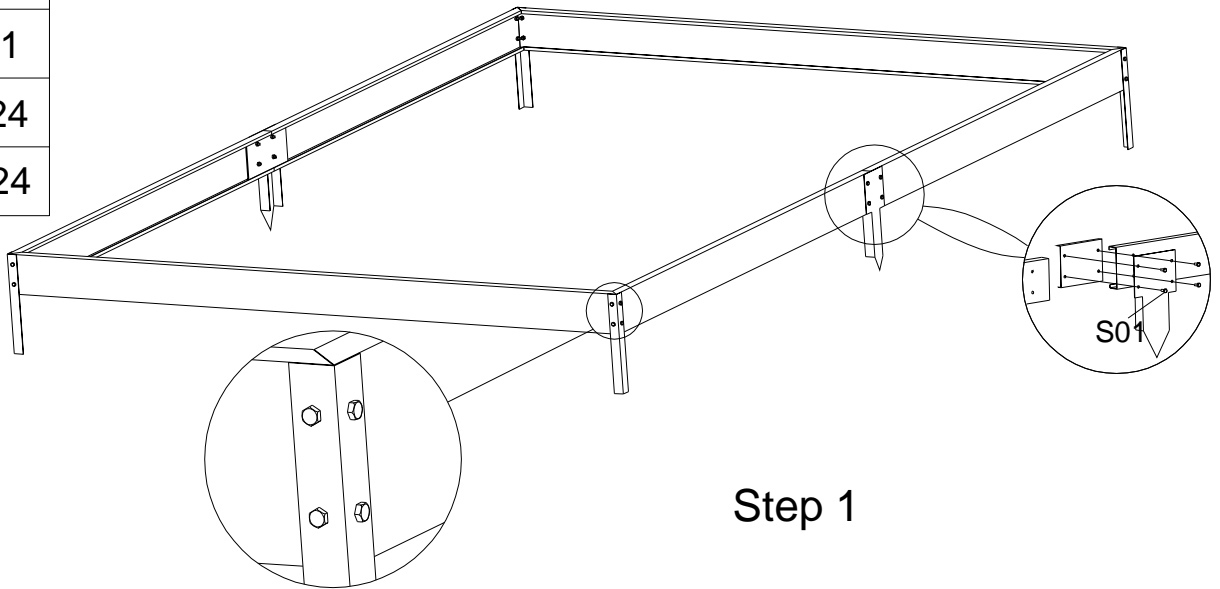
Assembly instruction



PRODUCT SIZE(LxWxH): 10' x 4' x 7'FT

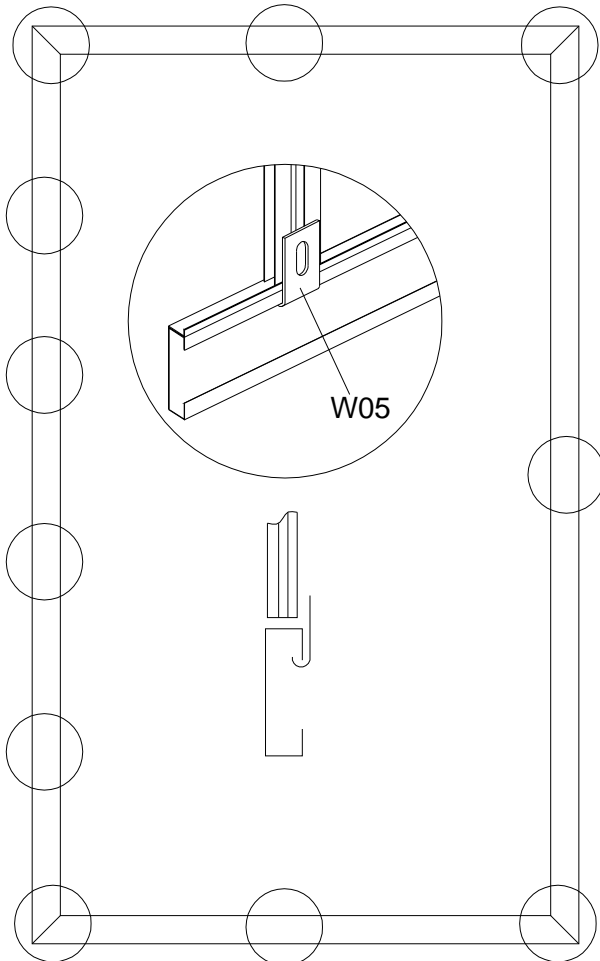
PLEASE READ CAREFULLY BEFORE ASSEMBLY

Part	NO.	QTY.
	W05	11
	S01	24
	M01	24



Step 1

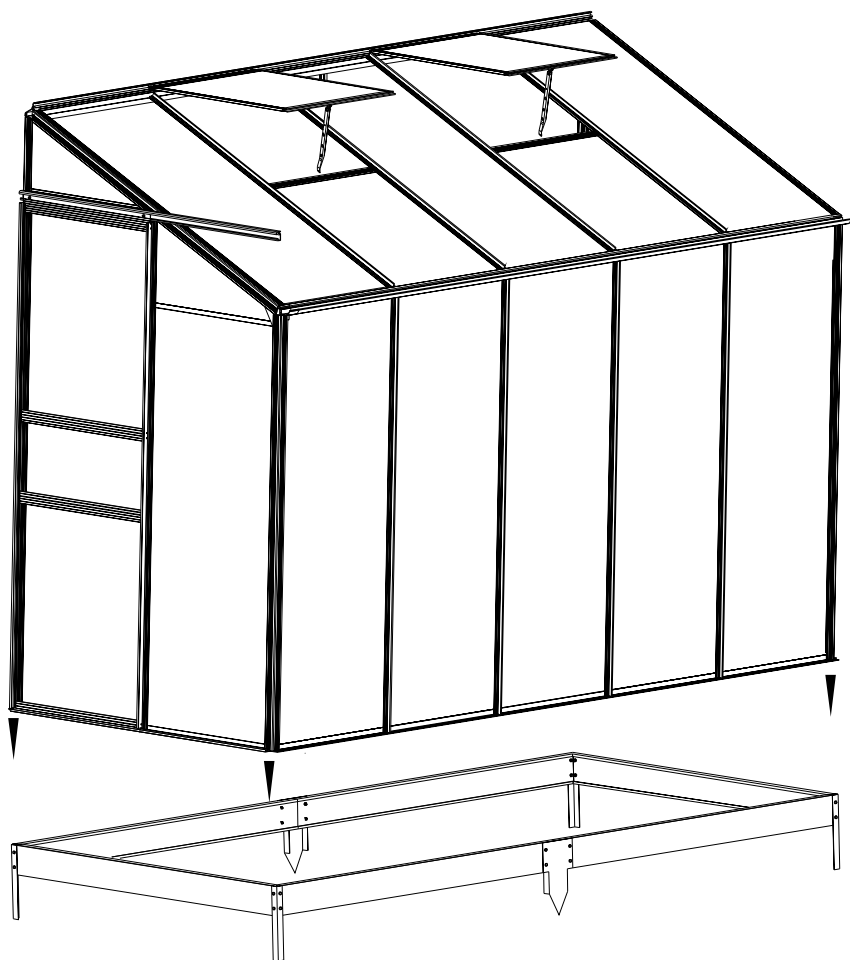
When fixing the greenhouse with the base, please loosen the screws of the greenhouse and then fix the W05 with it. There are no extra screws for the base.



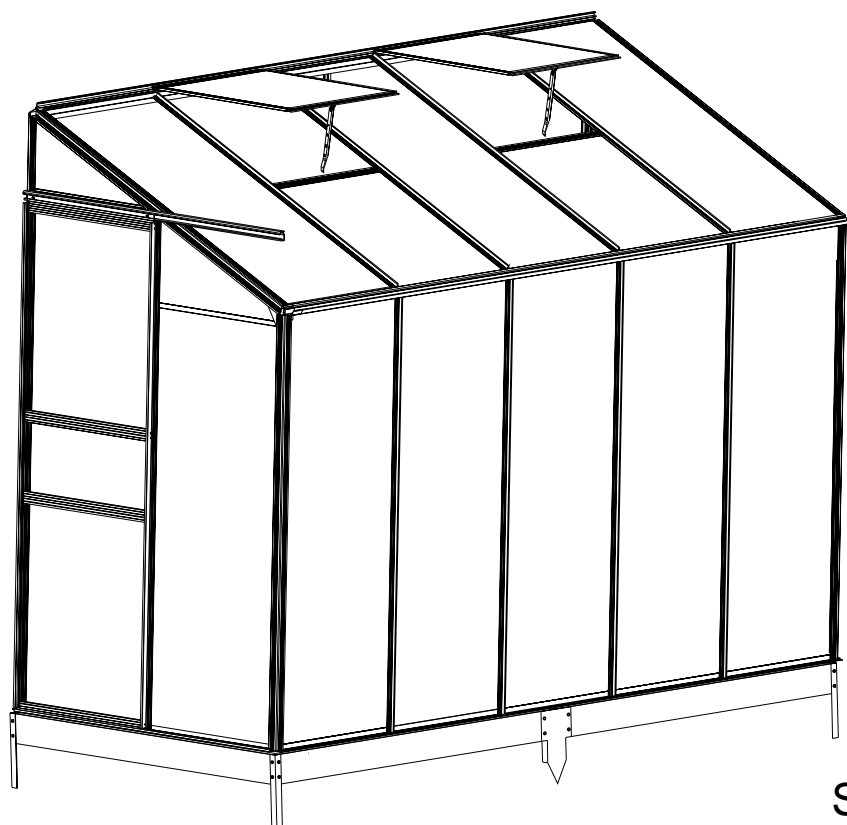
Step 2

Note:

1. Skip to next step if you don't take the base.
2. Please make sure the PC panel the side with words faces out.
3. It is not necessary to seal the panel with tape or caulking.

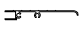



Step 3

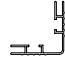
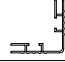
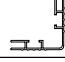
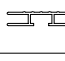
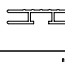


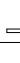




Step 4

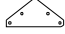


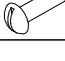

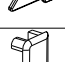
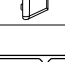
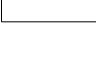
(P2) Assembly

PART	NO.	Qty.
	L15	1
	L16B	3
	L18A	2

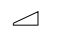

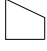
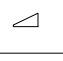
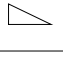




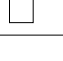
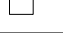
(P8~P11) Assembly

PART	NO.	Qty.
	L01D	1
	L01E	1
	L01F	1
	L03A	1
	L03B	1
	L04A	1
	L05A	1
	L05B	1
	L10	1
	L14	1



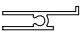
PARTS

PART	NO.	Qty.
	W02	2
	W03	1
	W04	6
	S01	64
	M01	66
	S02	2
	Z03	6
	Z02	8
	Z01	16
	W06	2
	W08	2
	J01R/L	1/1
	J02R/L	1/1
	J03R/L	1/1
	J04	1

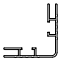
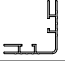
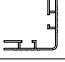
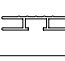
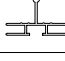


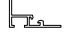
Polycarbonate



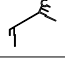



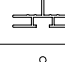
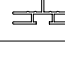
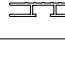
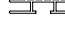
PART	NO.	Qty.
	Y1	1
	Y2	3
	Y3	1
	Y4	1
	Y5	1
	Y6	5
	Y7	3
	Y9	2
	Y10	2
	Y11	2
	Y12	1

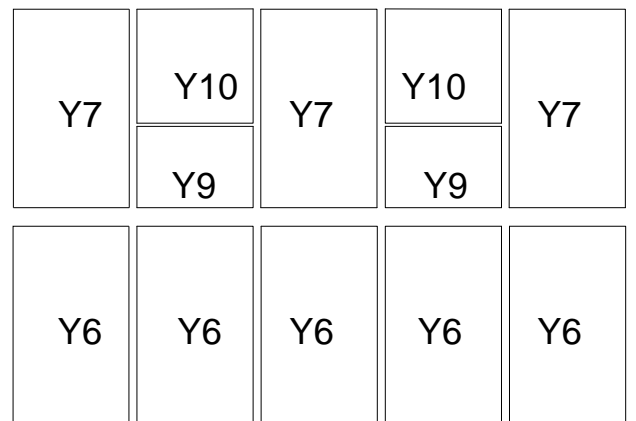
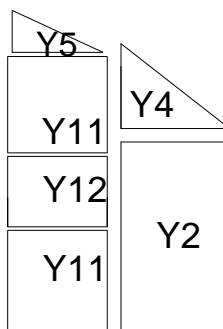
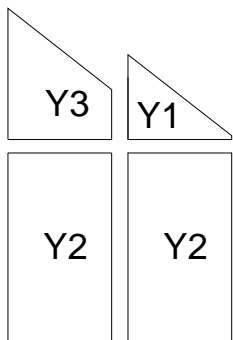
(P3) Assembly




PART	NO.	Qty.
	L19	4
	L20	2
	L21	2

(P4~P7) Assembly (P12~P19) Assembly

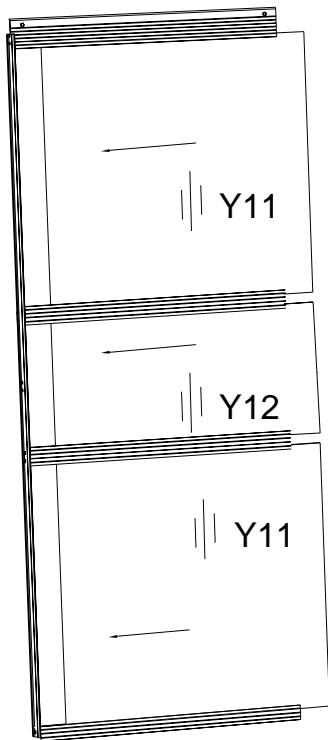
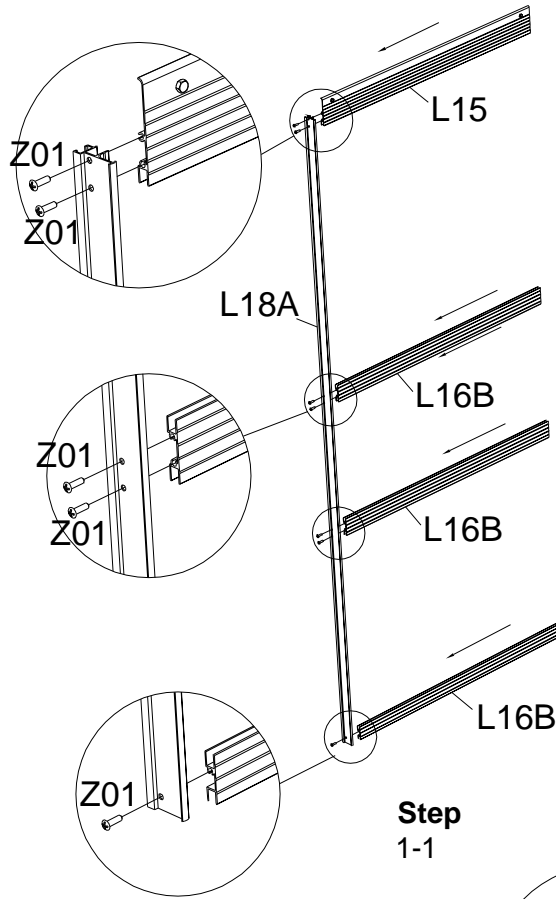
PART	NO.	Qty.
	L01A	1
	L01B	1
	L01C	1
	L03B	2
	L02C	1
	L05E	1
	L05A	1
	L08A	1

PART	NO.	Qty.
	L08B	1
	L07	1
	L06	1
	L09	1
	L05C	2
	L05D	2
	L02A	4
	L02B	4
	L03D	1
	L03B	2

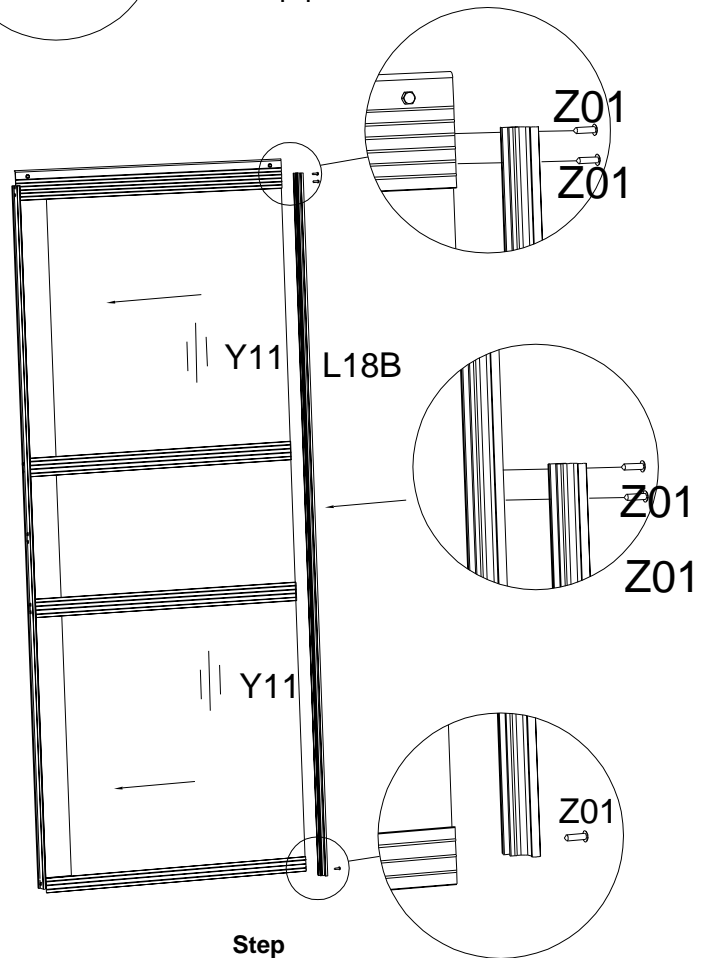


PART	NO.	Qty.
	L15	1
	L16B	3
	L18A	2

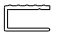
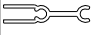
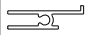
P2 Door Frame Assembly



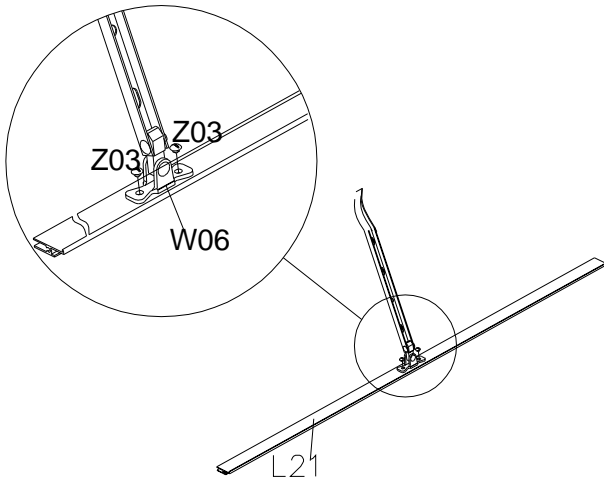
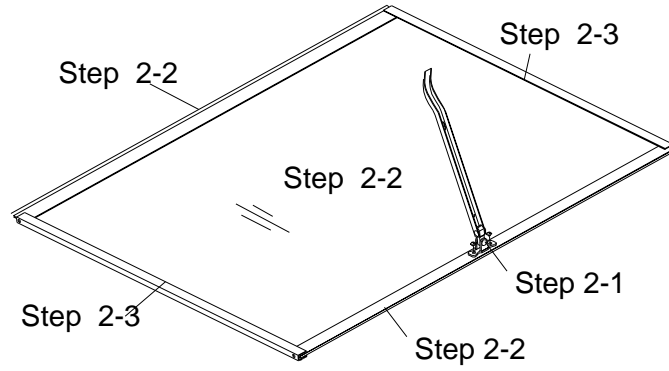
Step 1-2



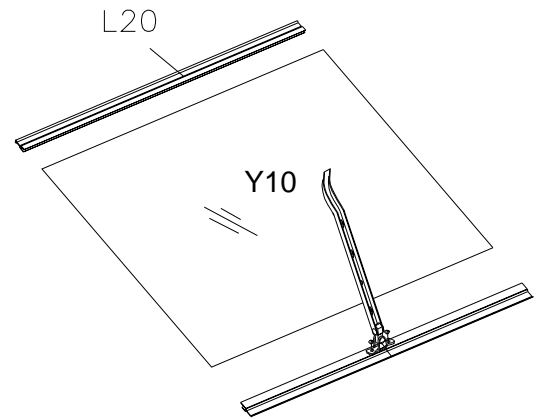
Step 1-3

PART	NO.	Qty.
	L19	2
	L20	1
	L21	1

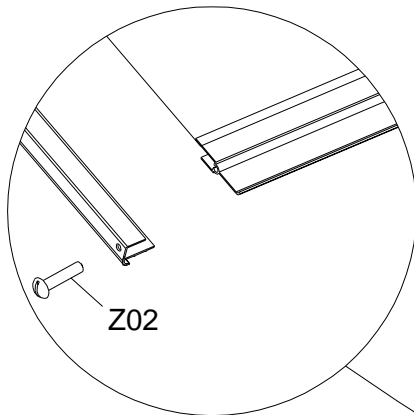
P3 Window Frame Assembly



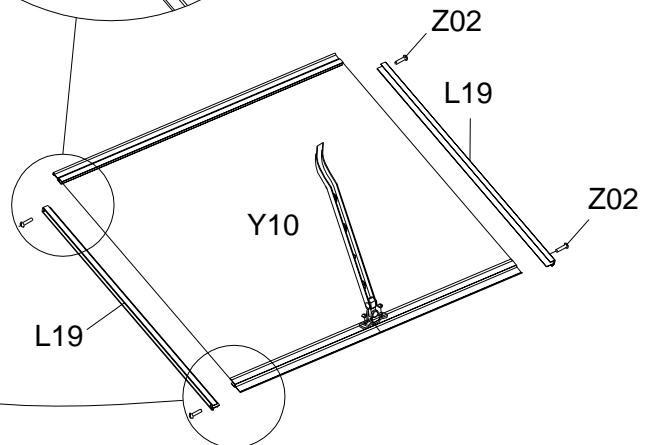
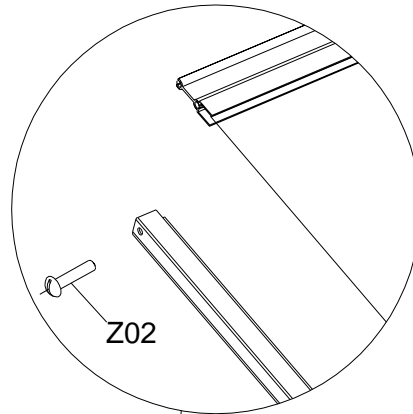
Step 2-1


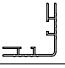
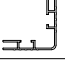
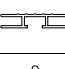






Step 2-2

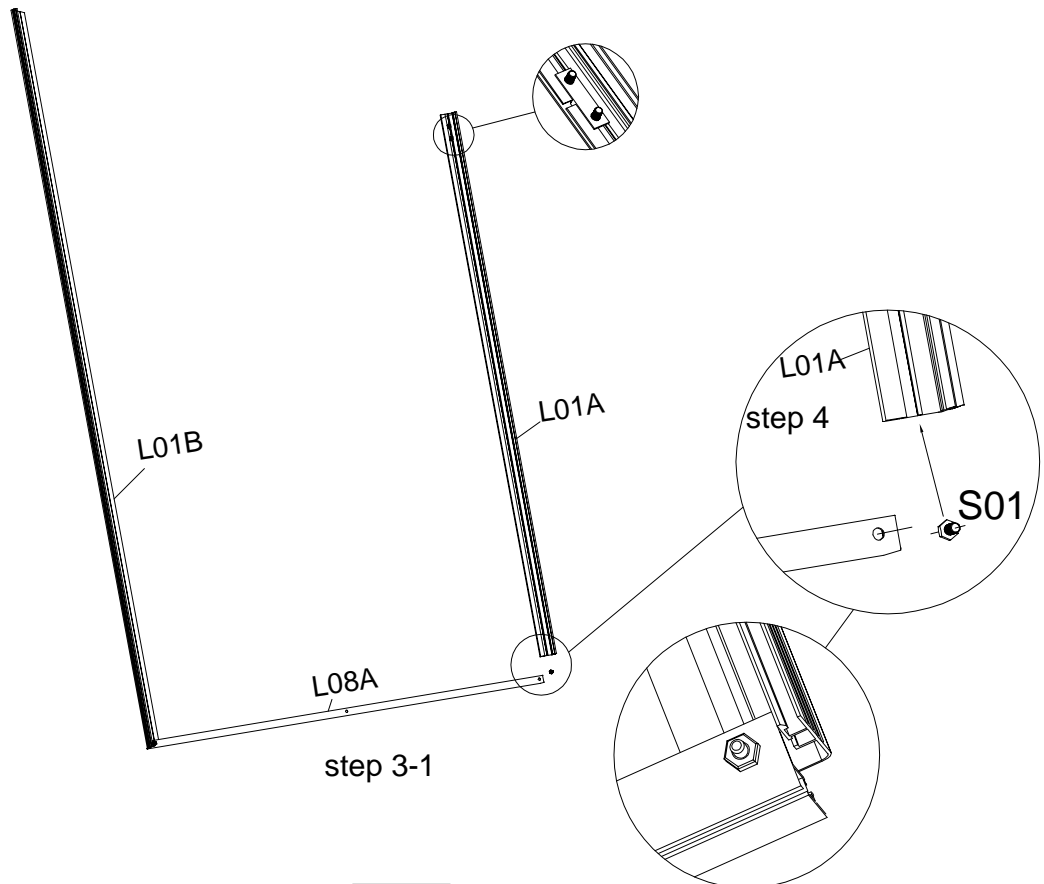
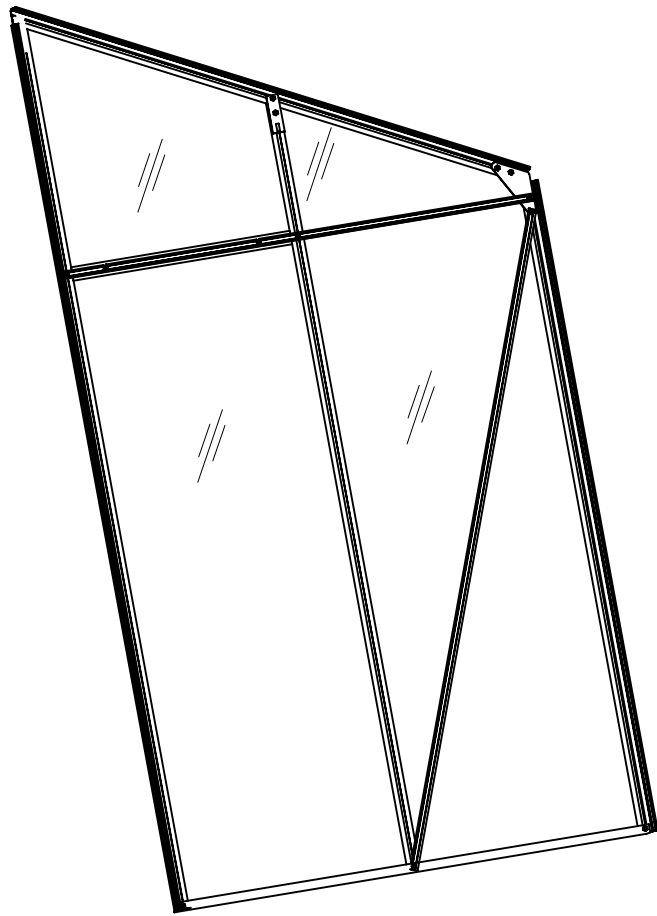


Step 2-3

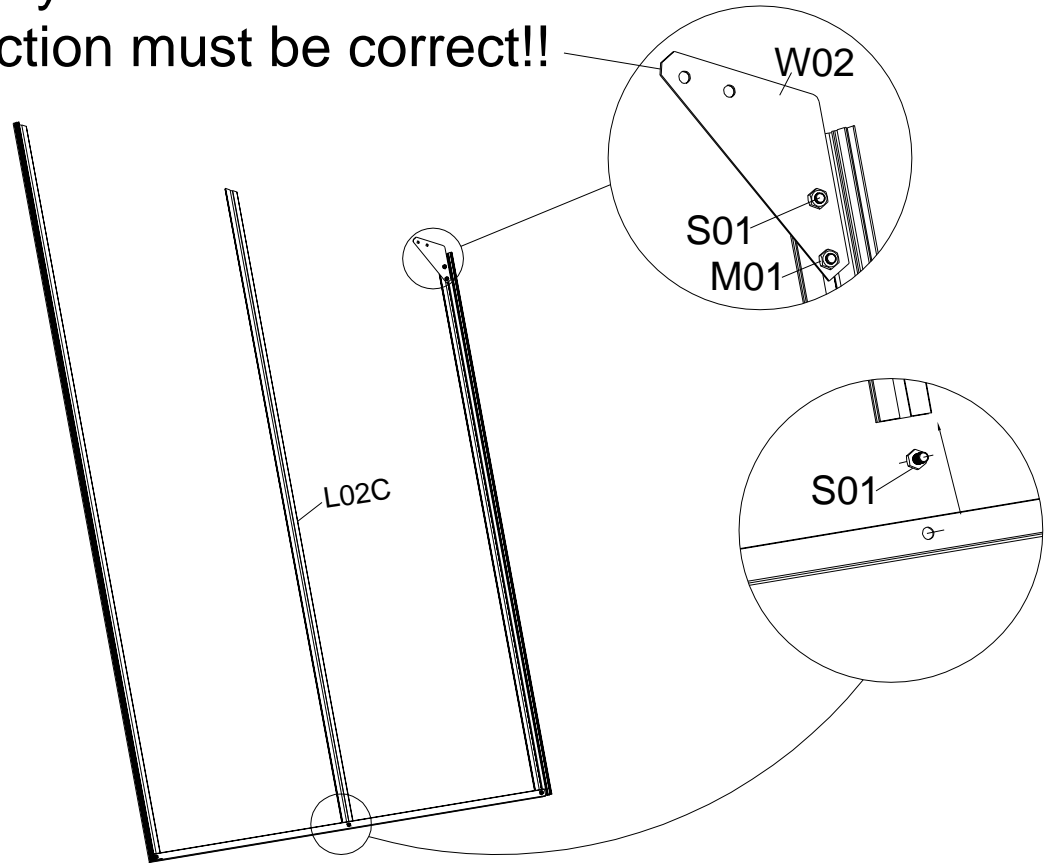


PART	NO.	Qty.
	L01A	1
	L01B	1
	L01C	1
	L03B	2
	L02C	1
	L05E	1
	L05A	1
	L08A	1

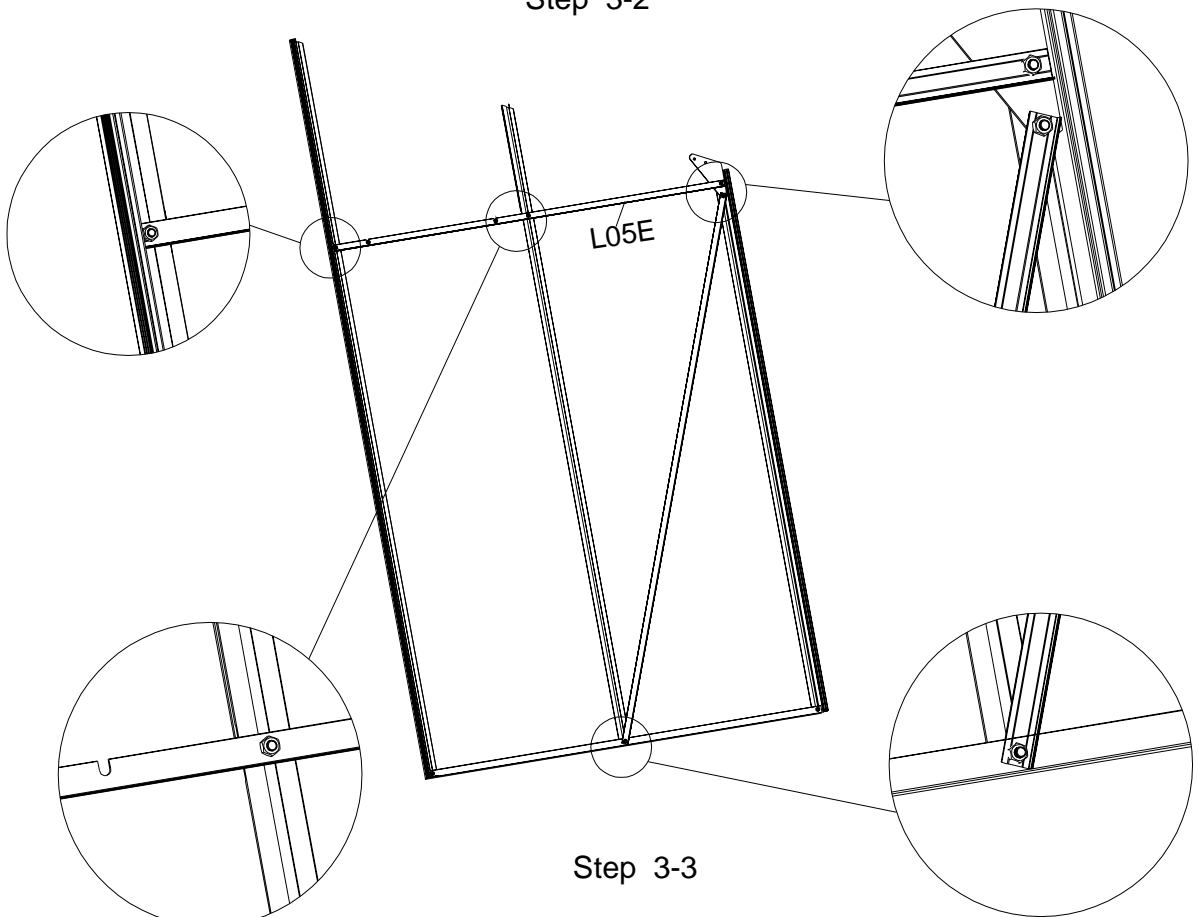
(P4~P7) Rear Frame Assembly

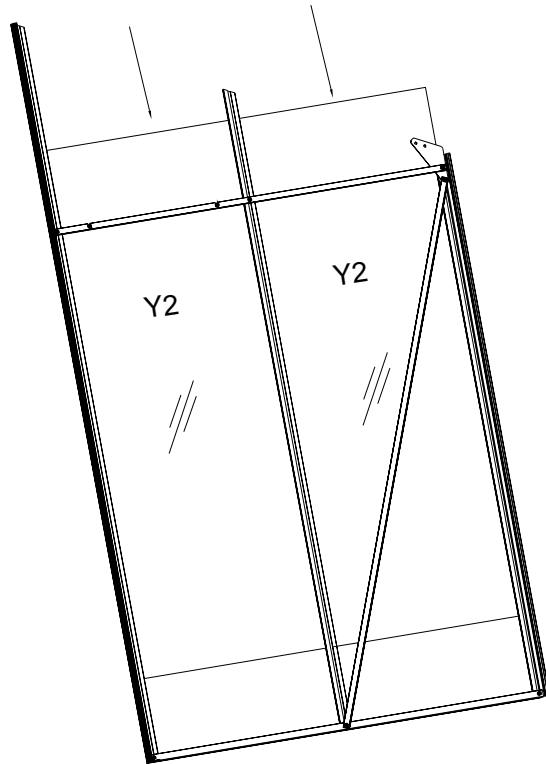


Please pay attention to the cut corner.
The direction must be correct!!

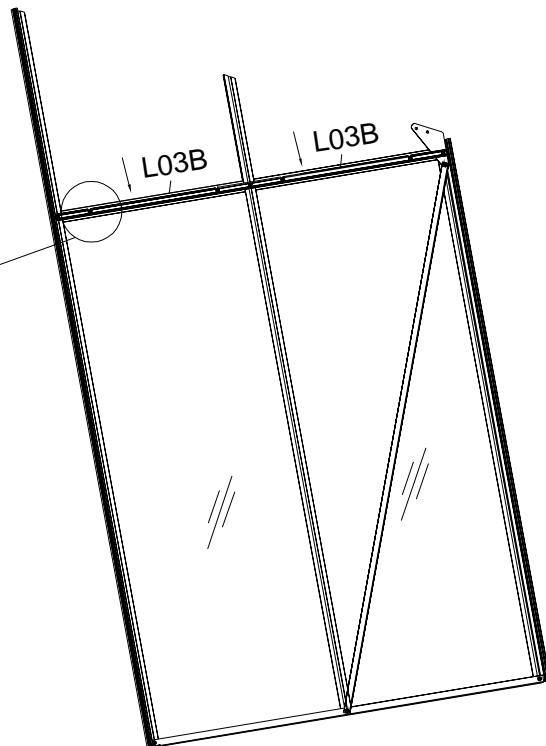
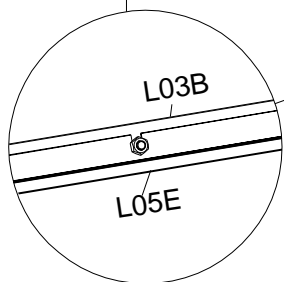
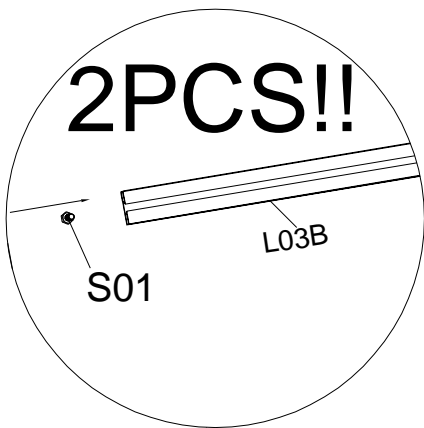


Step 3-2

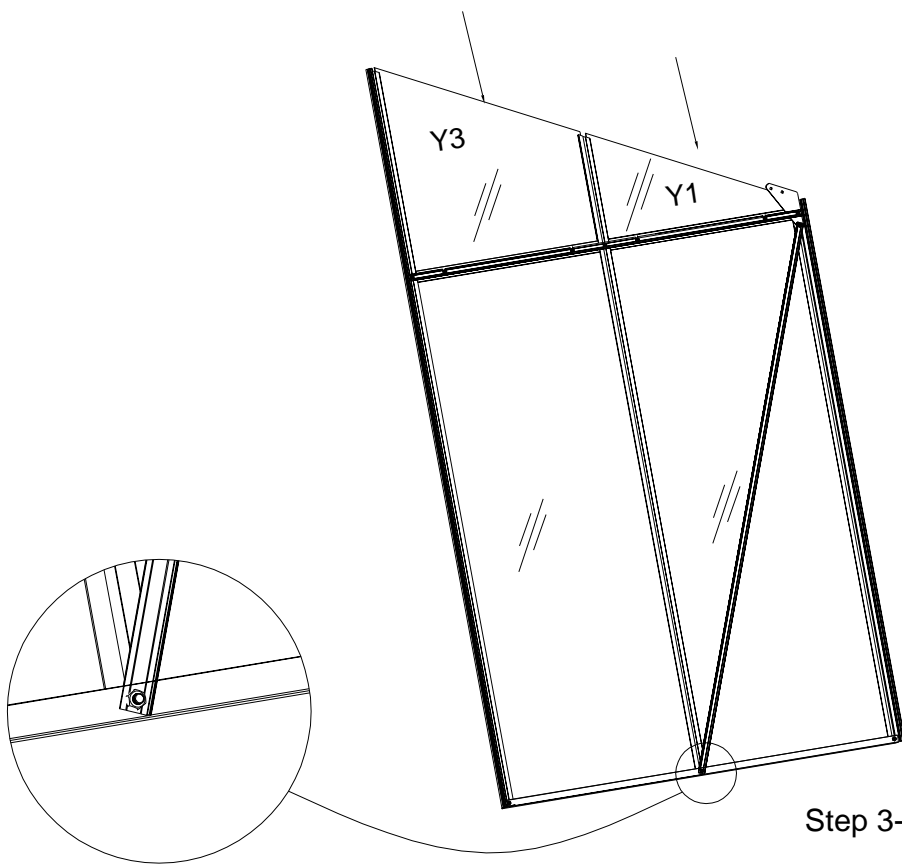




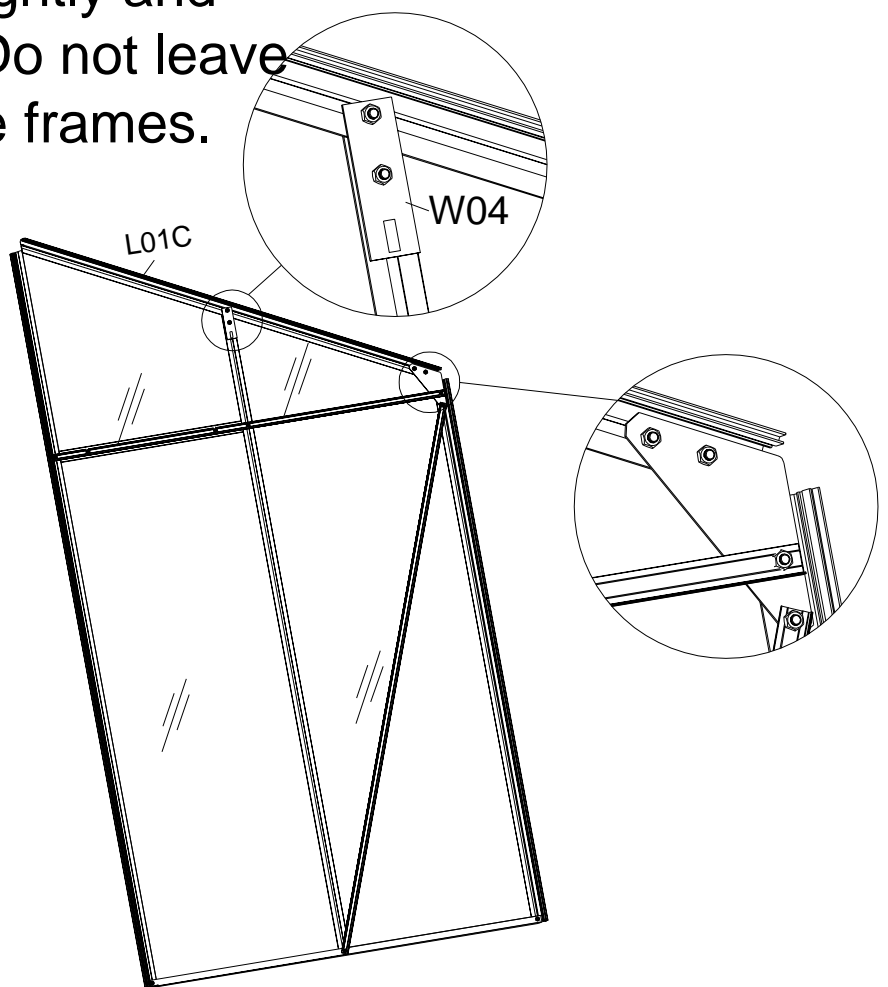
Step 3-4



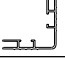


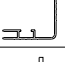


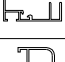



Step 3-5

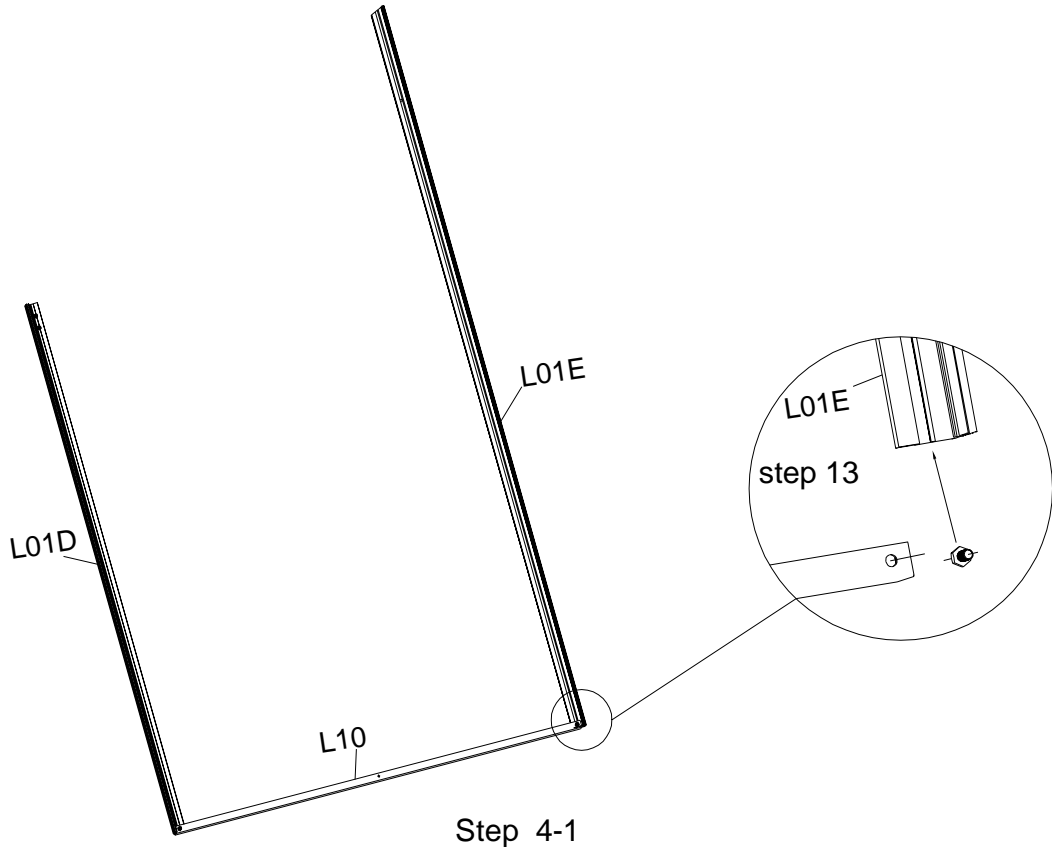
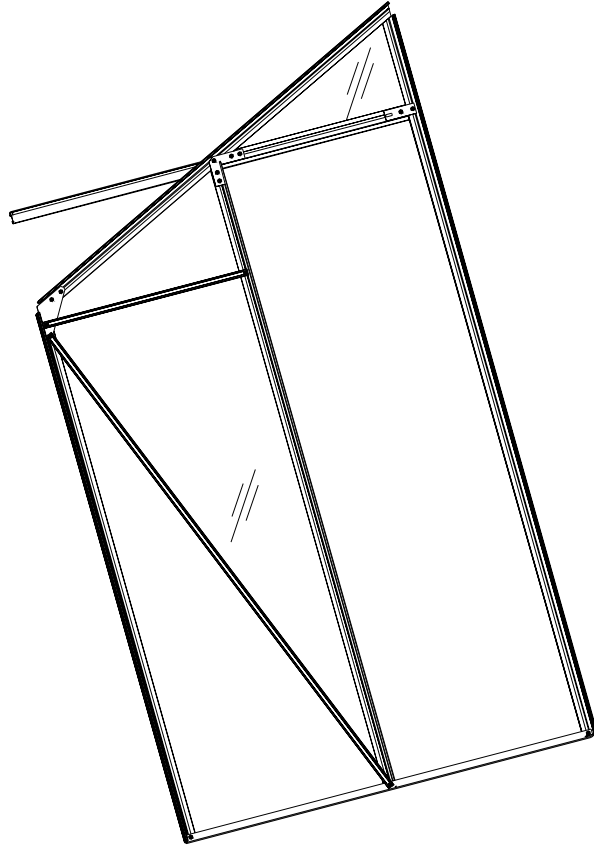


Frames must be put tightly and correctly using W04. Do not leave big space between the frames.



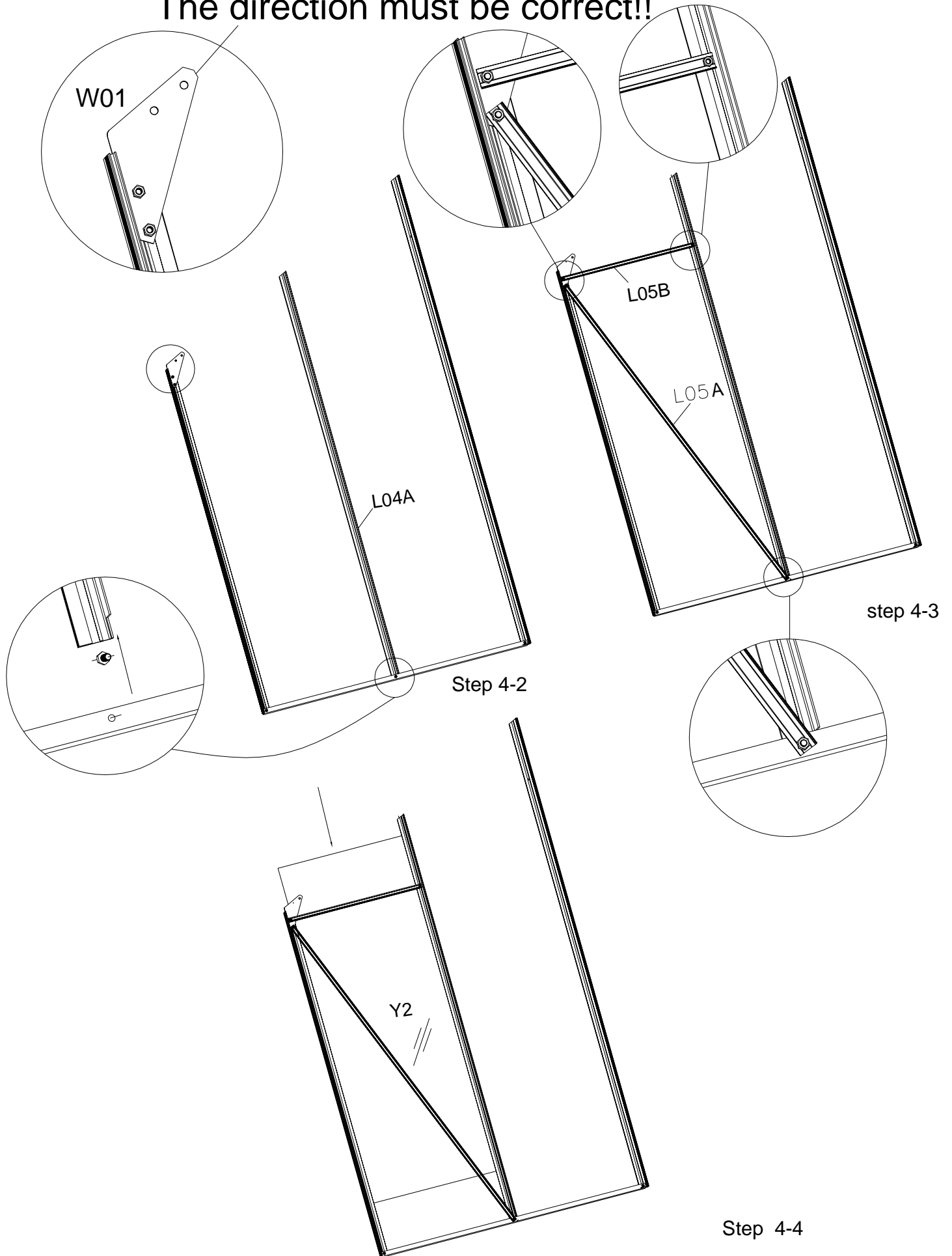
PART	NO.	Qty.
	L01D	1
	L01E	1
	L01F	1
	L03A	1
	L03B	1
	L04A	1
	L05A	1
	L05B	1
	L10	1
	L14	1

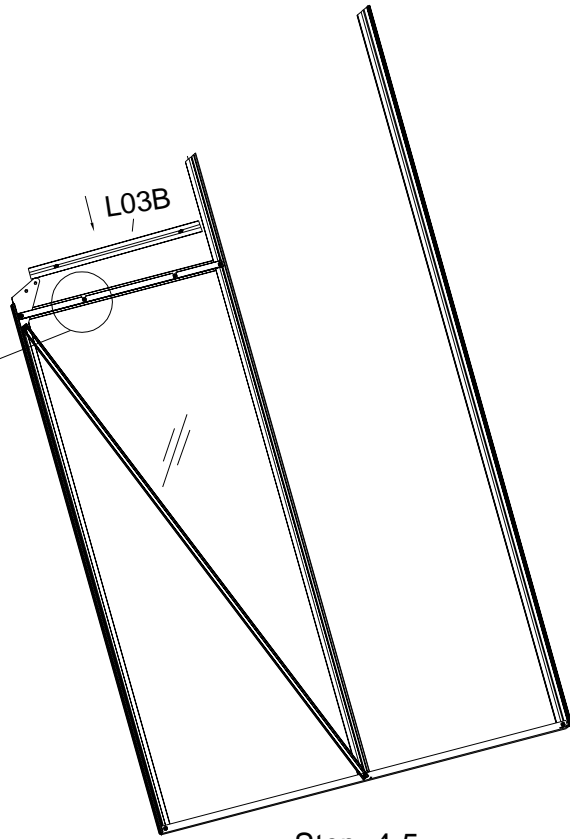
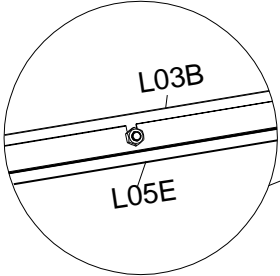
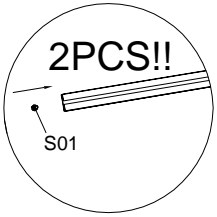
(P8~P11) Assembly



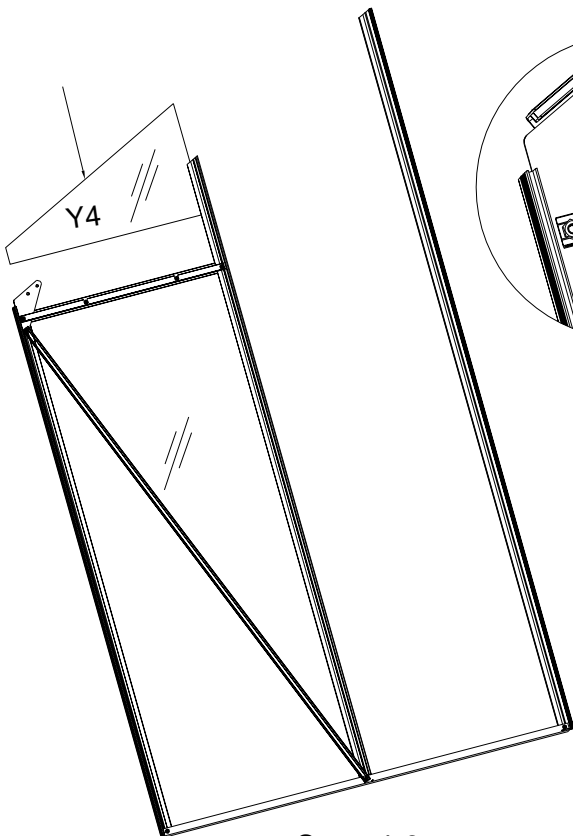
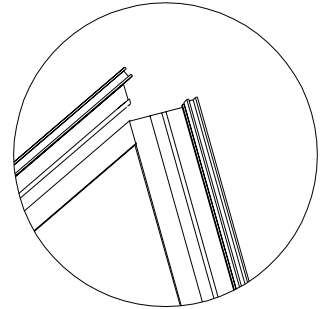
Step 4-1

Please pay attention to the cut corner.
The direction must be correct!!

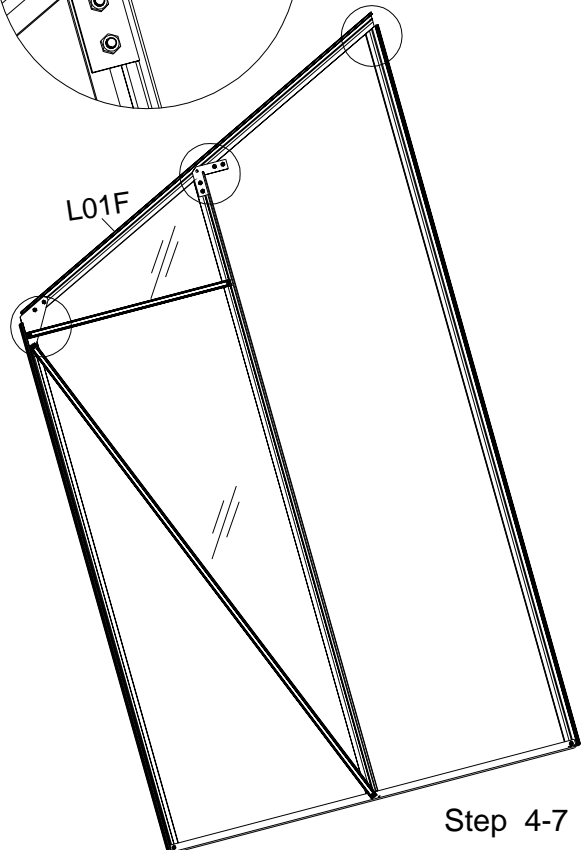
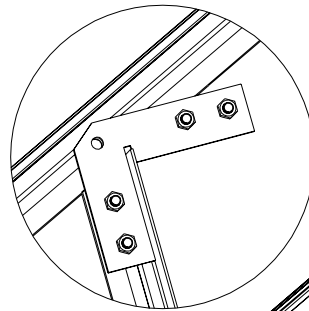
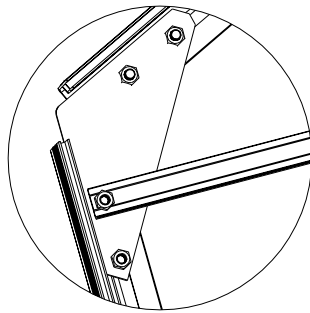




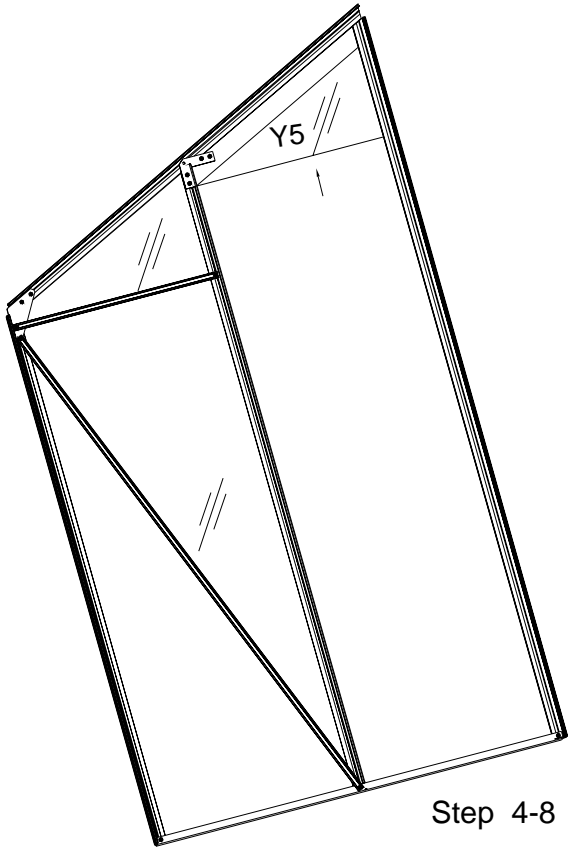
Step 4-5



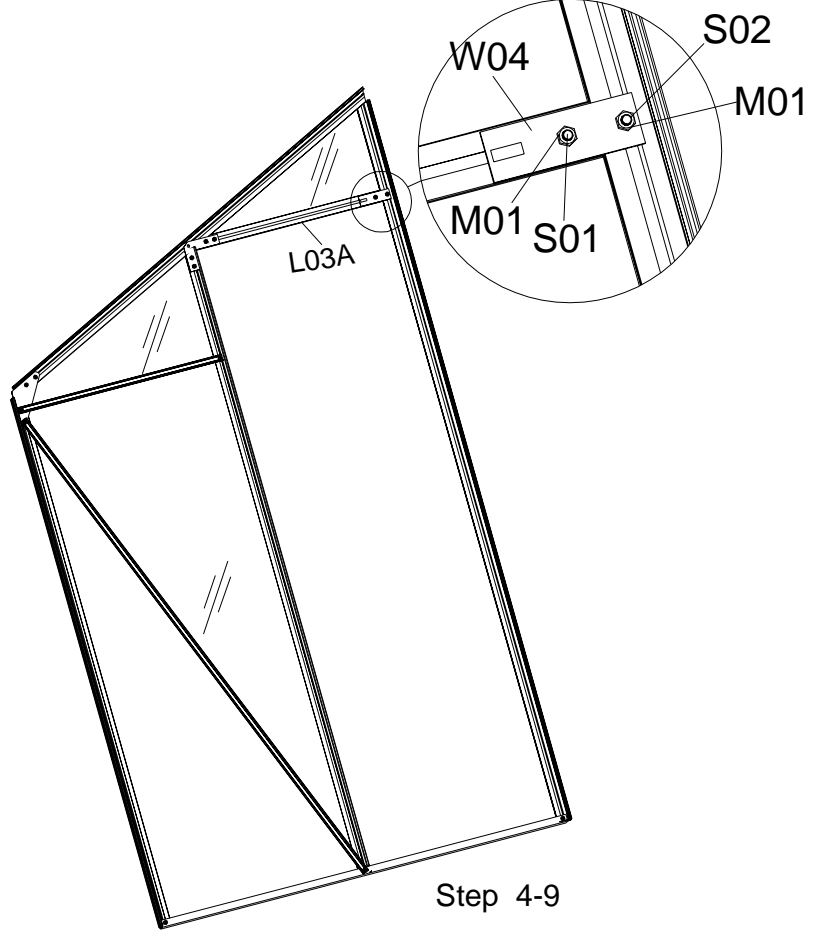
Step 4-6



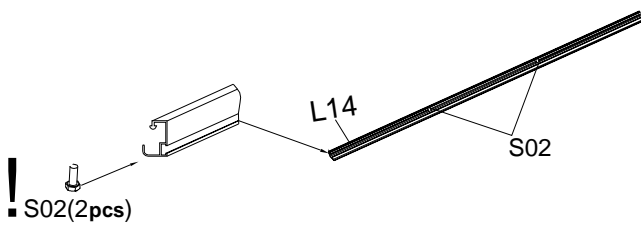
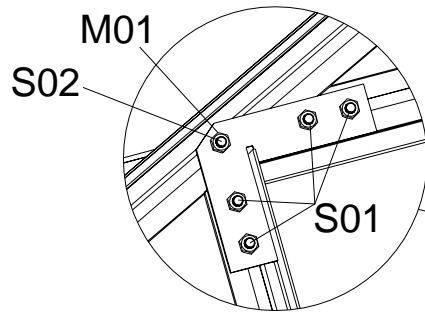
Step 4-7



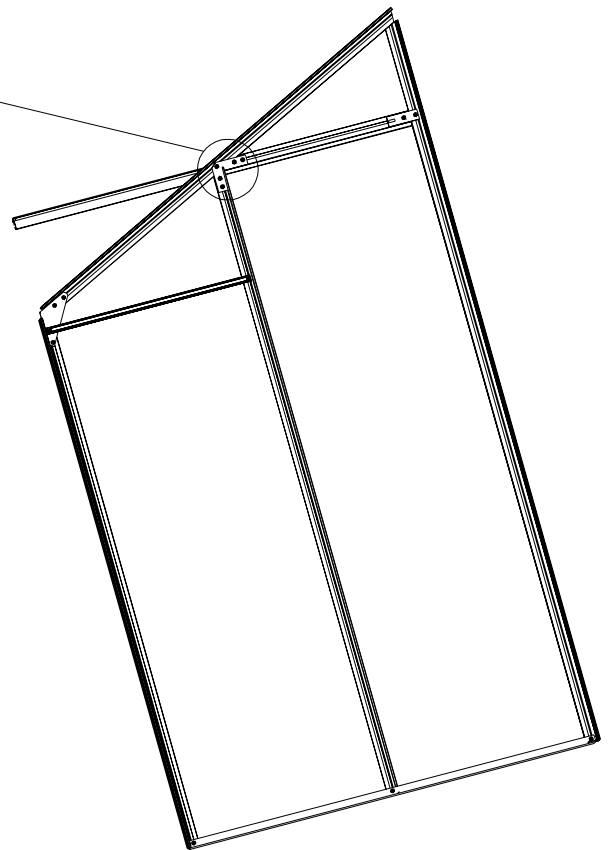
Step 4-8





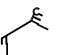



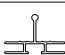
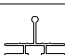
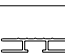
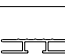
Step 4-9



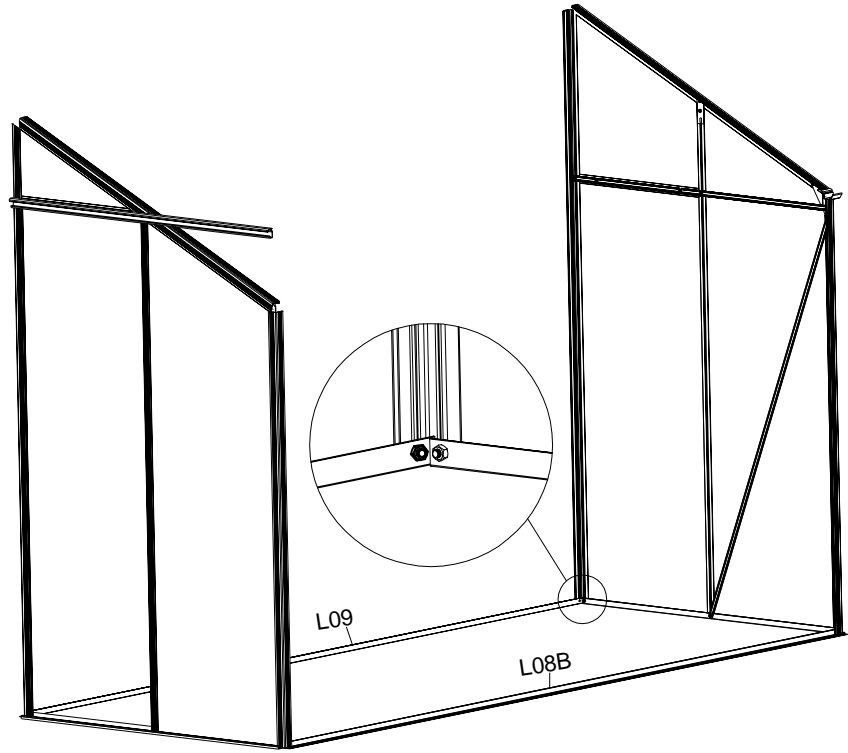
Step 4-10



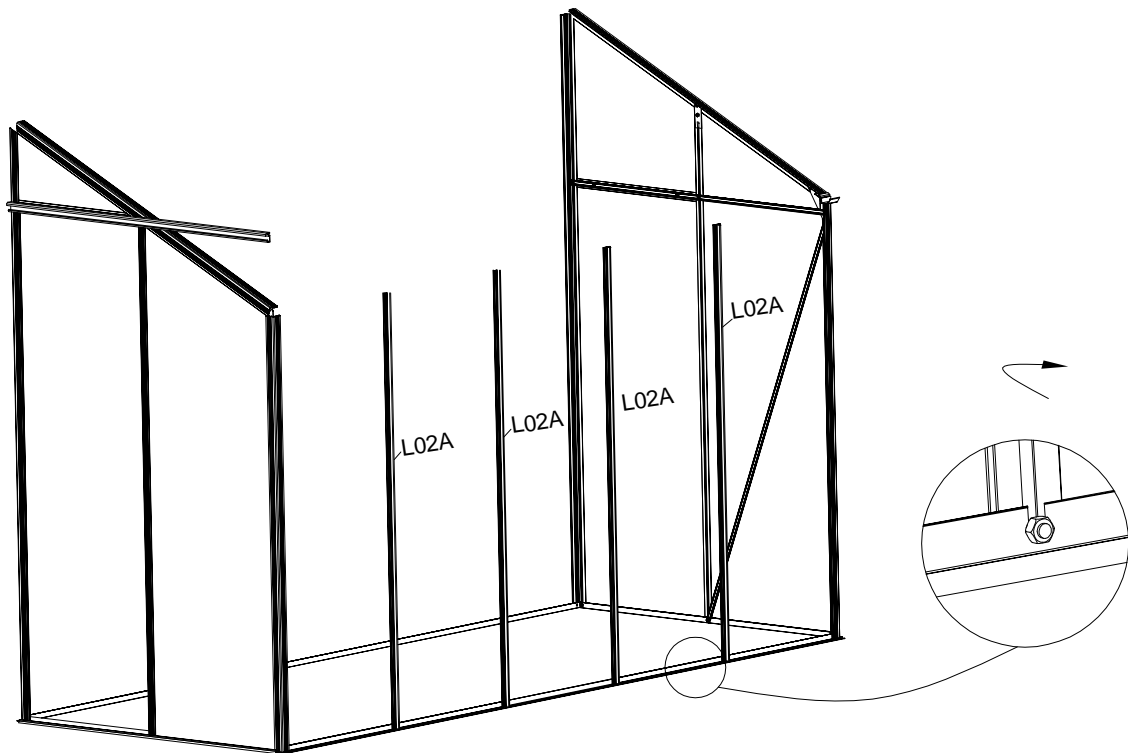
Step 4-11

Part	NO.	QTY.
	L08B	1
	L07	1
	L06	1
	L09	1
	L05C	2
	L05D	2
	L02A	4
	L02B	4
	L03D	1
	L03B	2

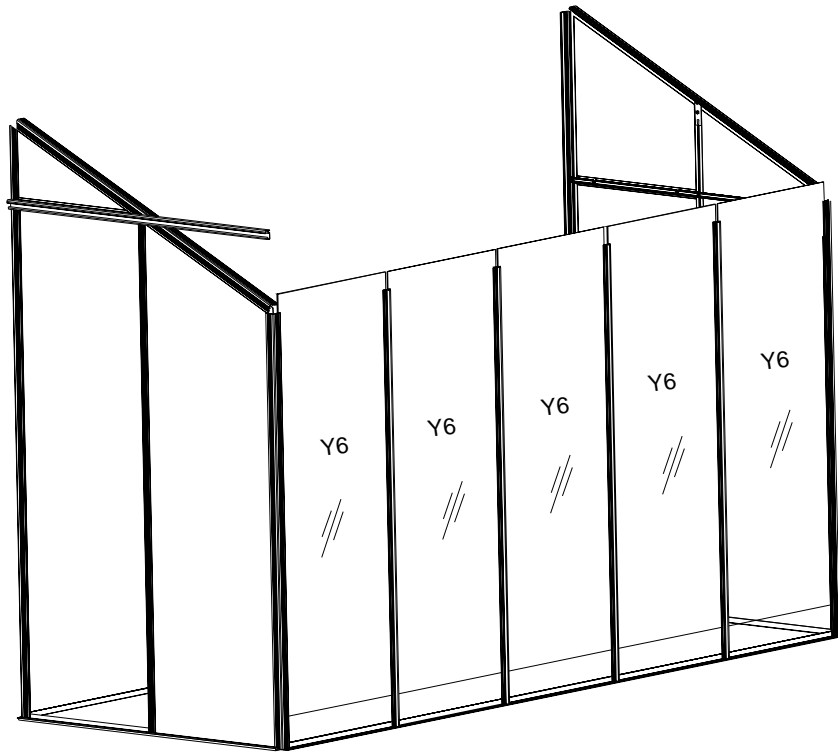
(P12~P19) Assembly



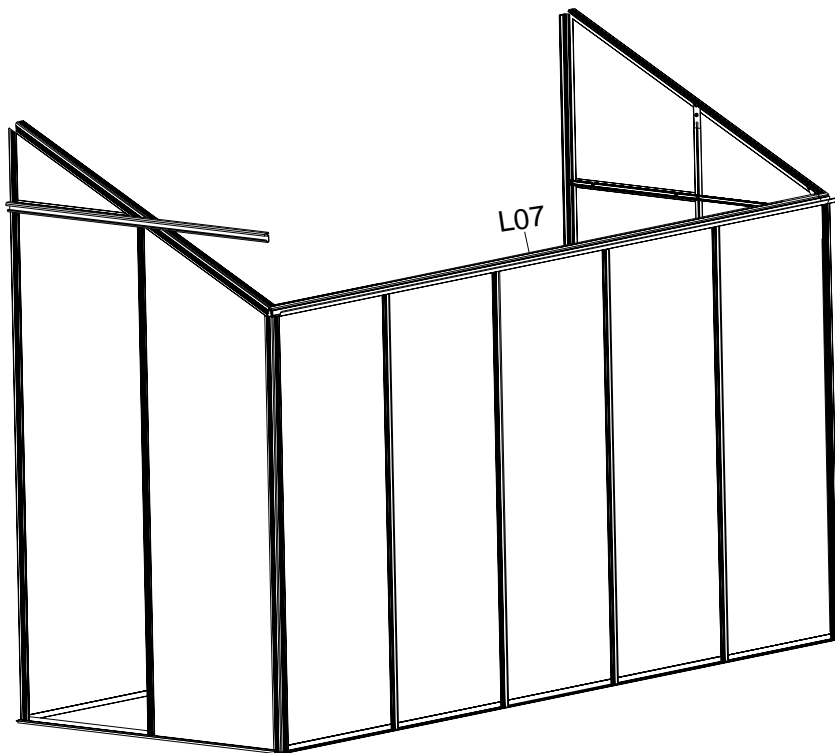
step 5



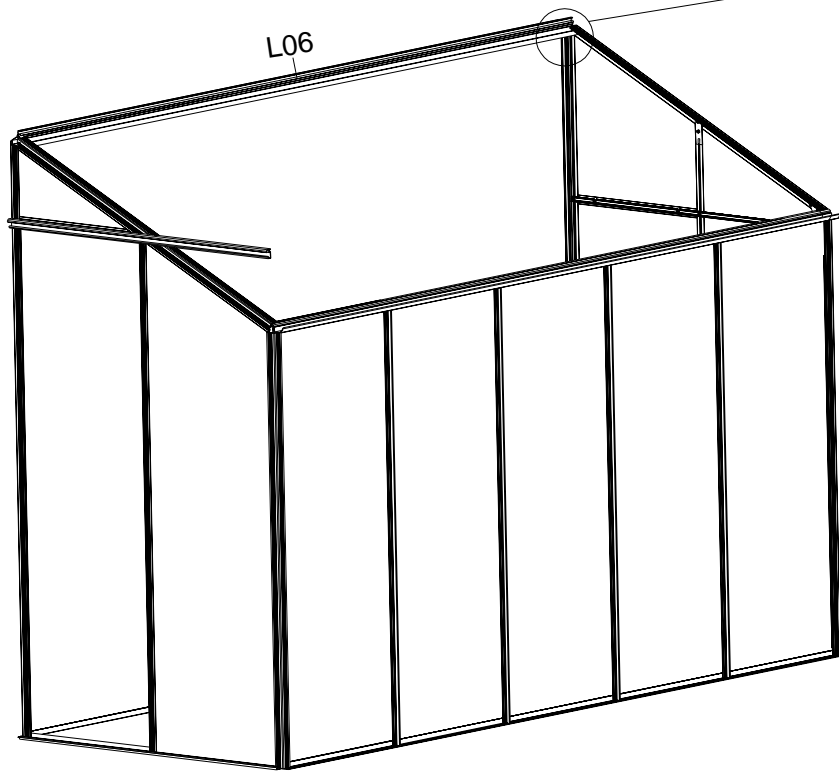
step 6



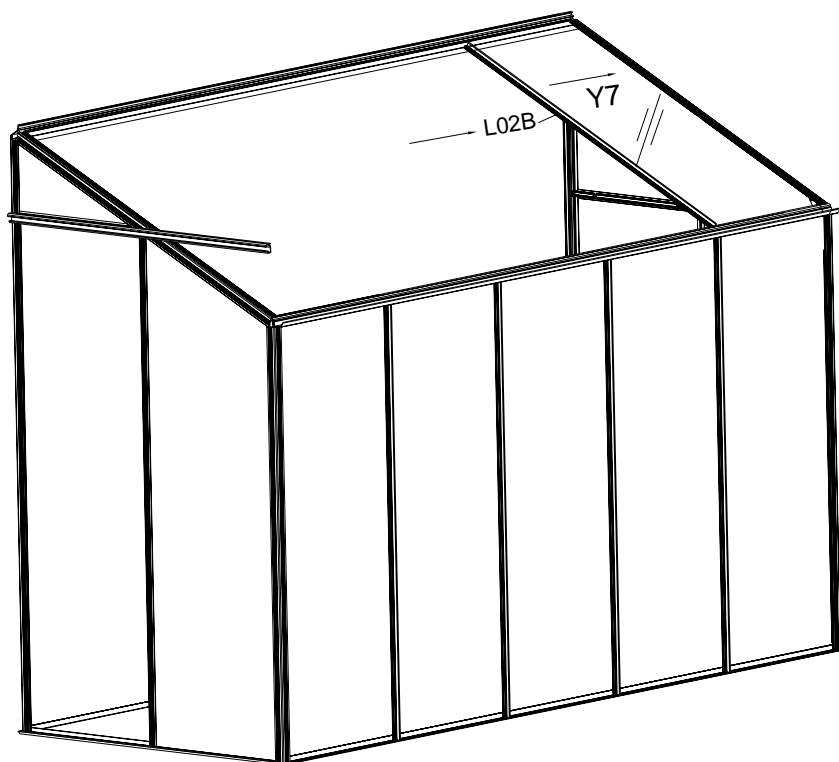
step 7



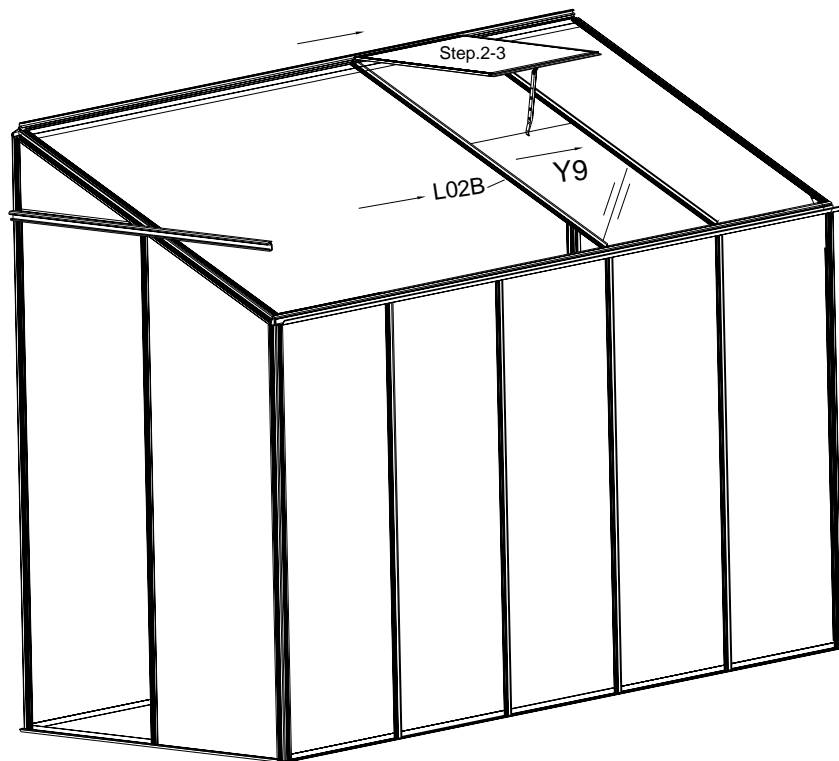
step 8



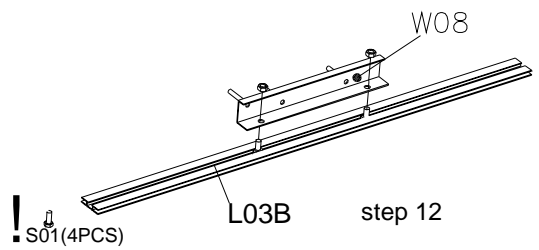
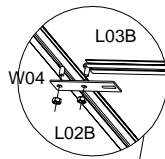
step 9



step 10

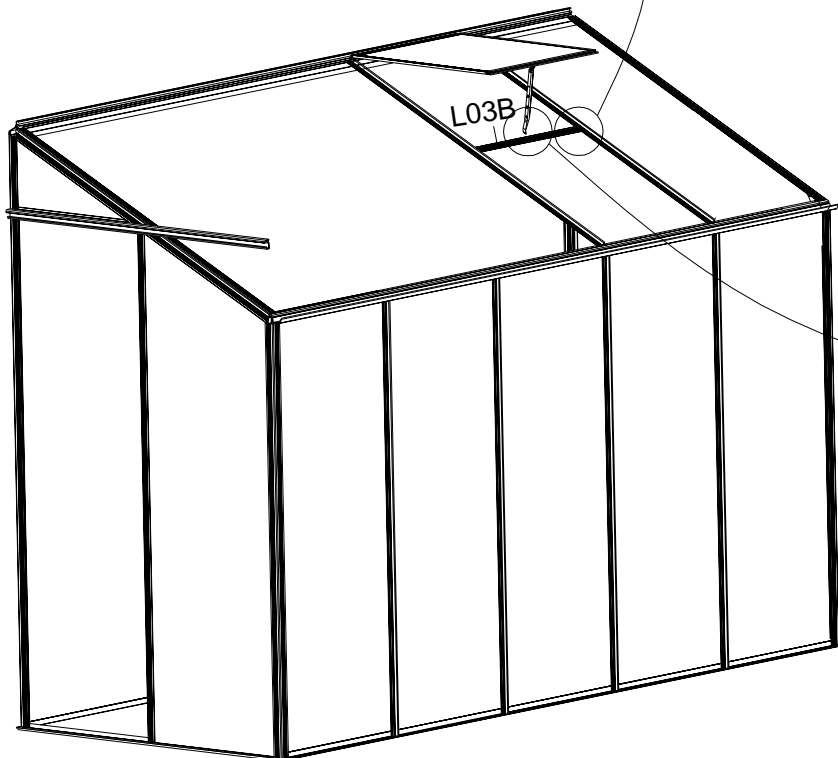


step 11

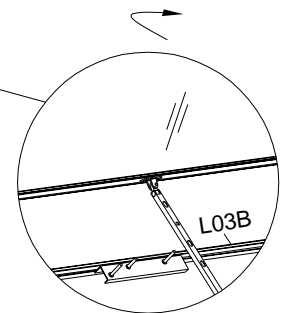


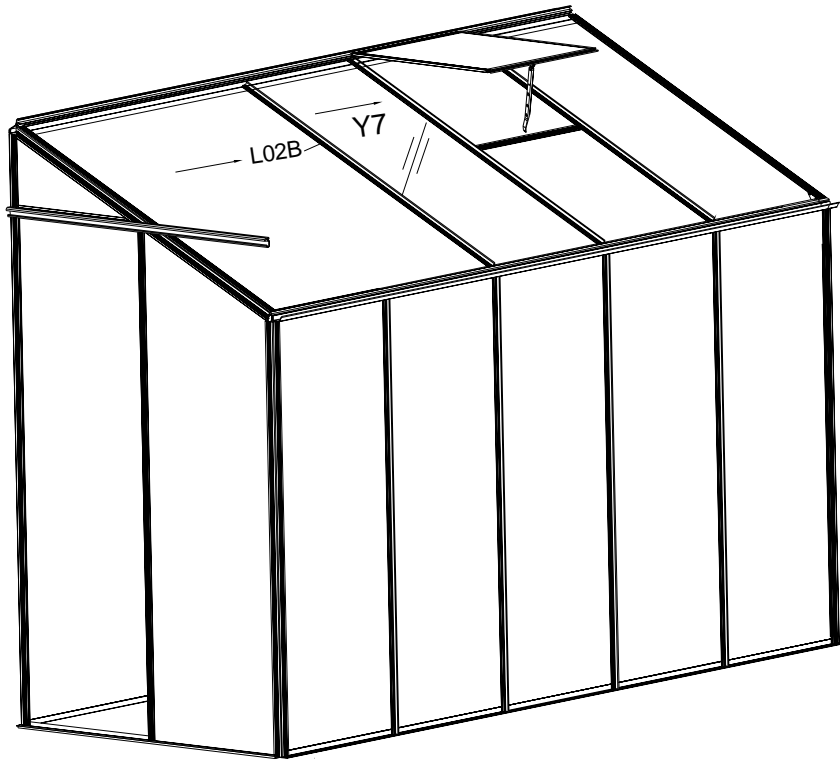
step 12

Do not forget to
put 4pcs S01
into L03B!!

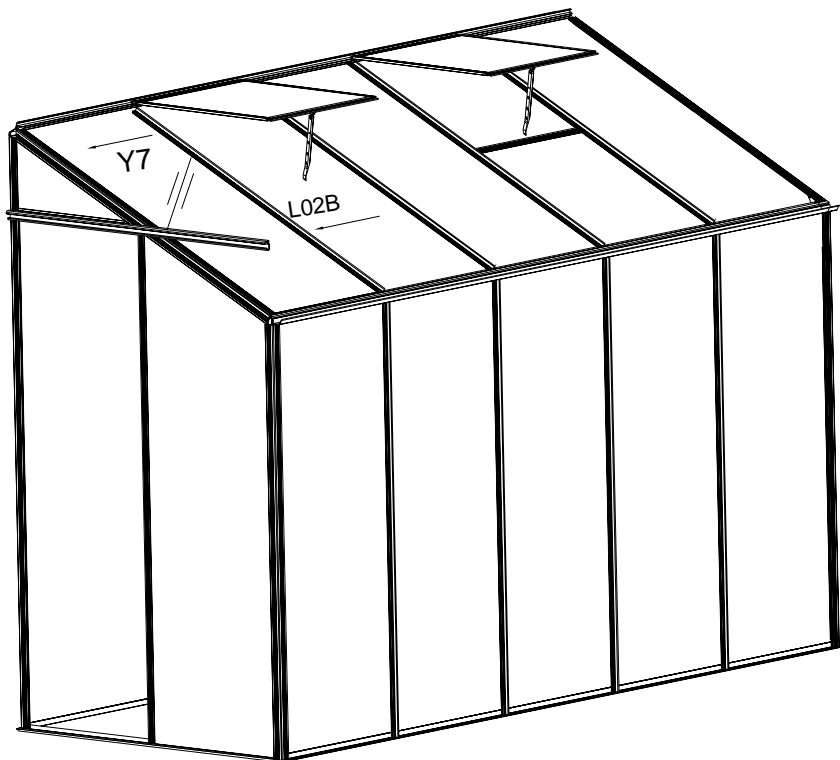


step 13

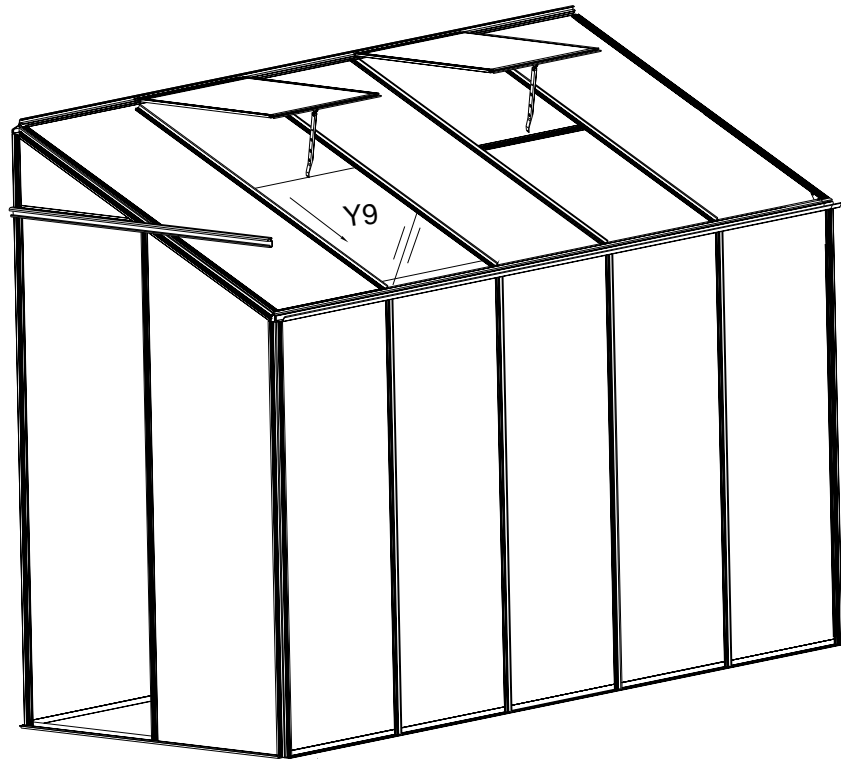




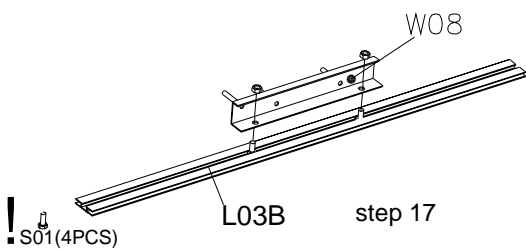
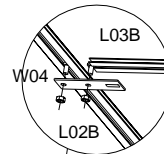
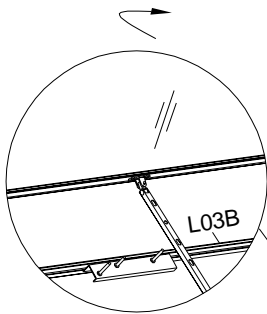
step 14



step 15

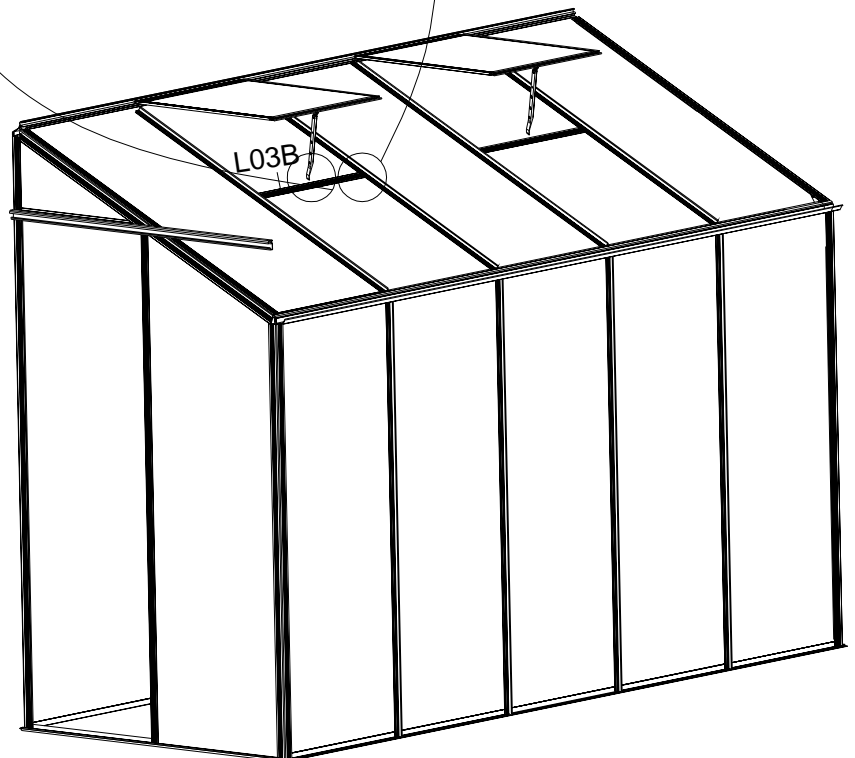


step 16

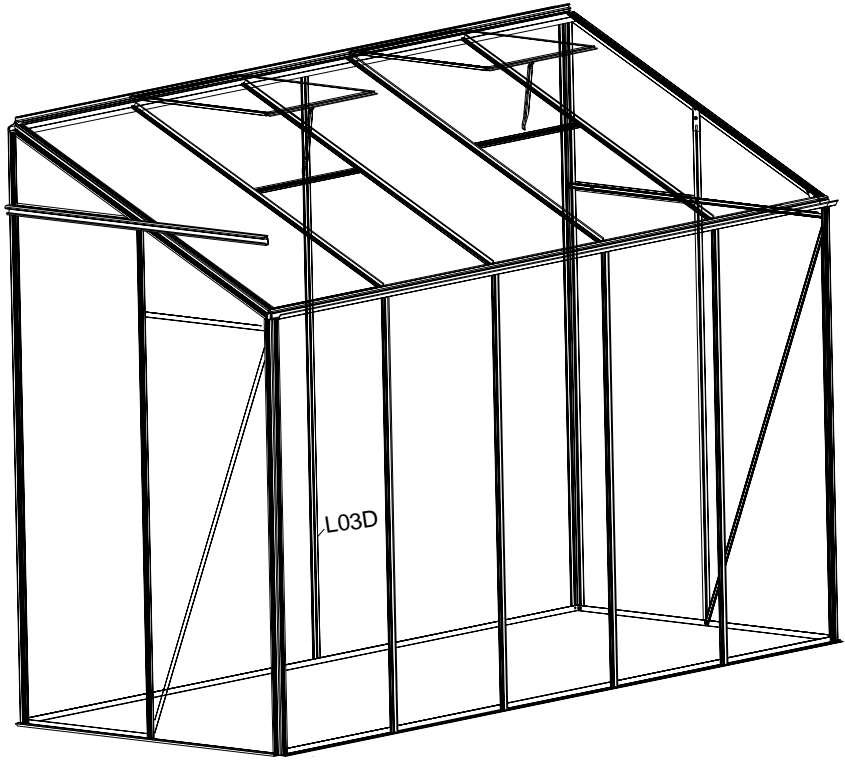


step 17

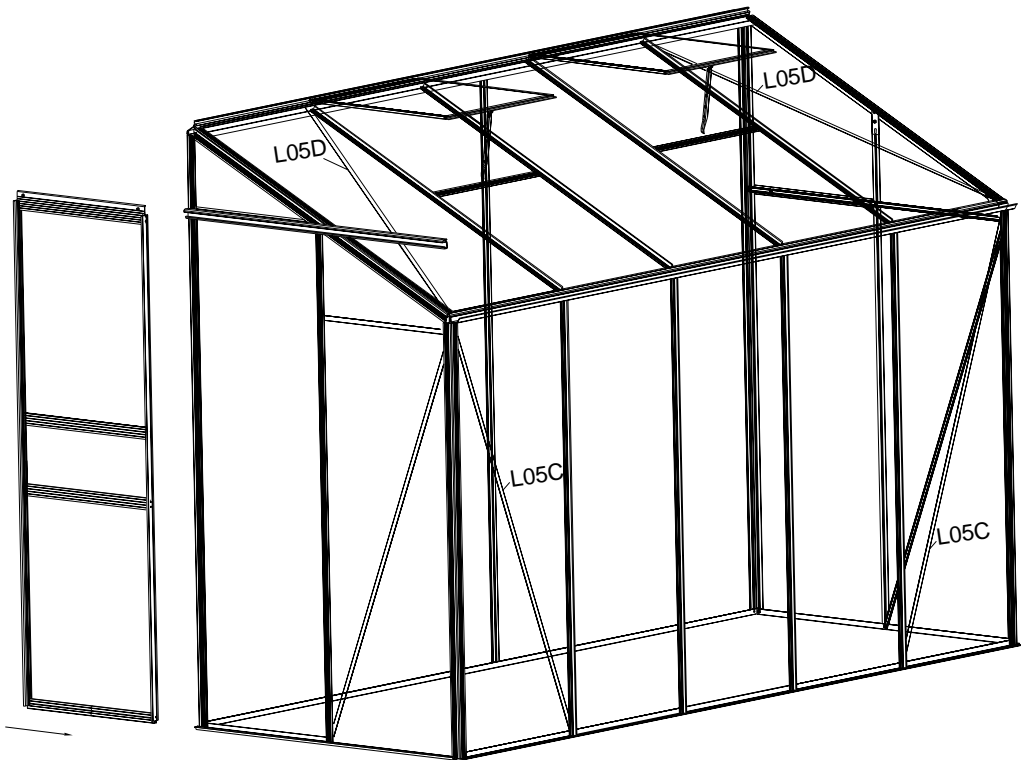
Do not forget to
put 4pcs S01
into L03B!!



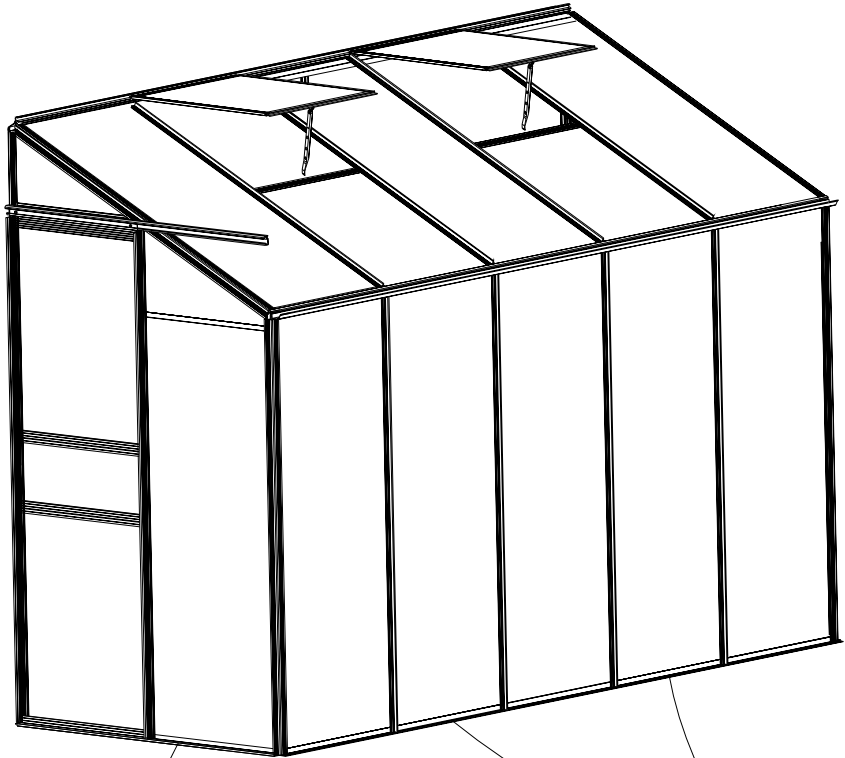
step 18



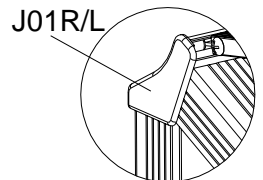
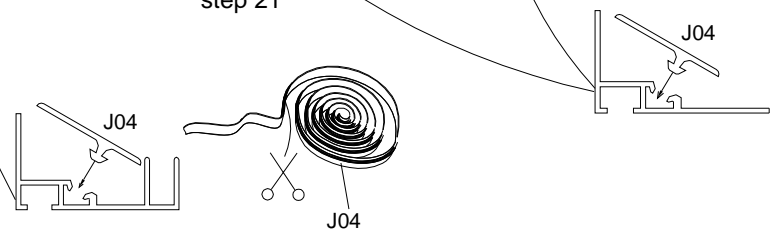
step 19



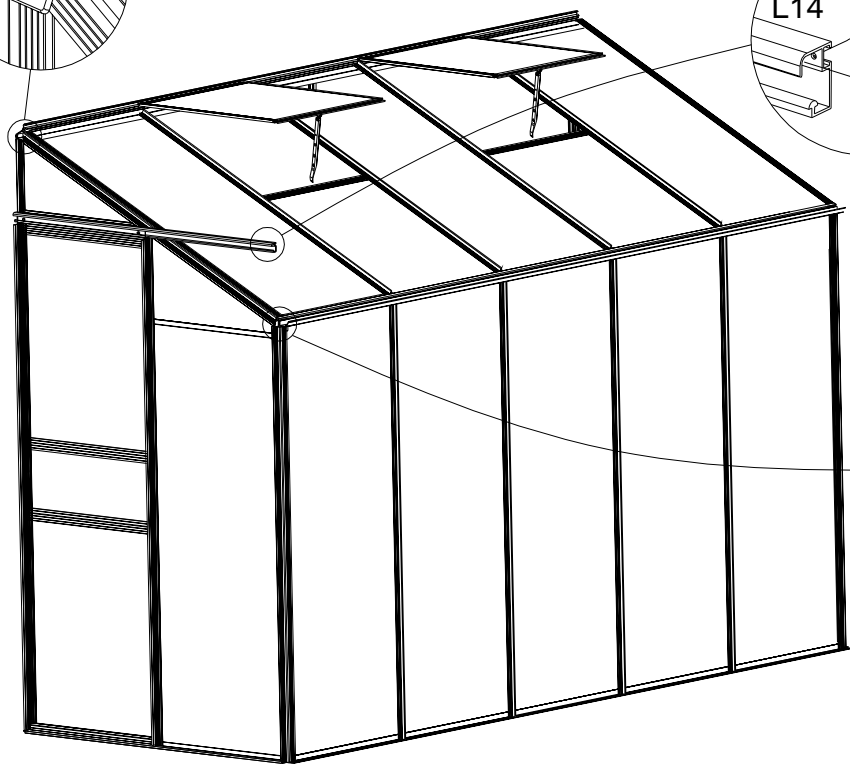
step 20



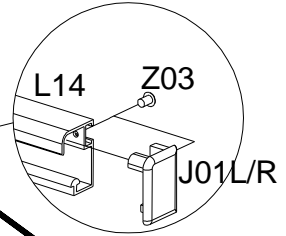
step 21



J01R/L



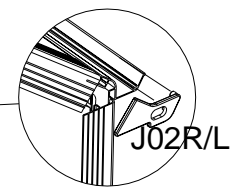
step 22



L14

Z03

J01L/R



J02R/L