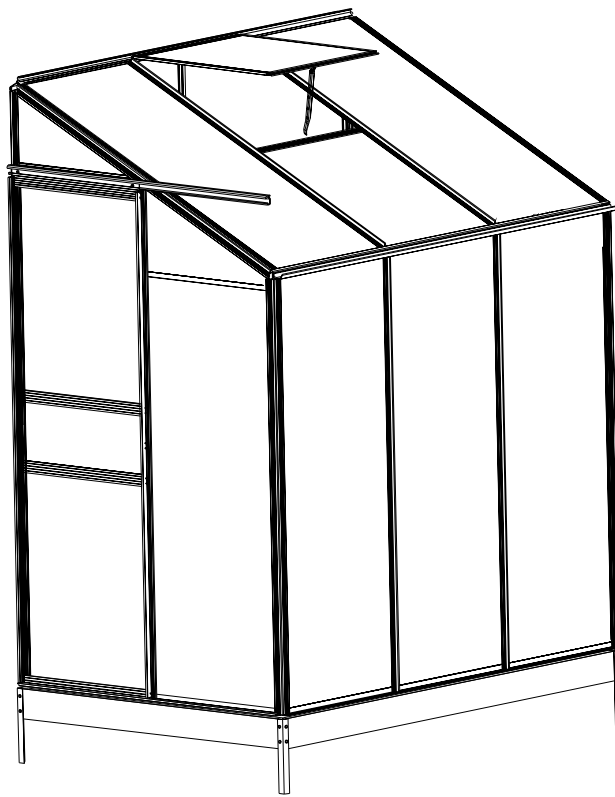



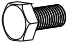

# Lean To Greenhouse

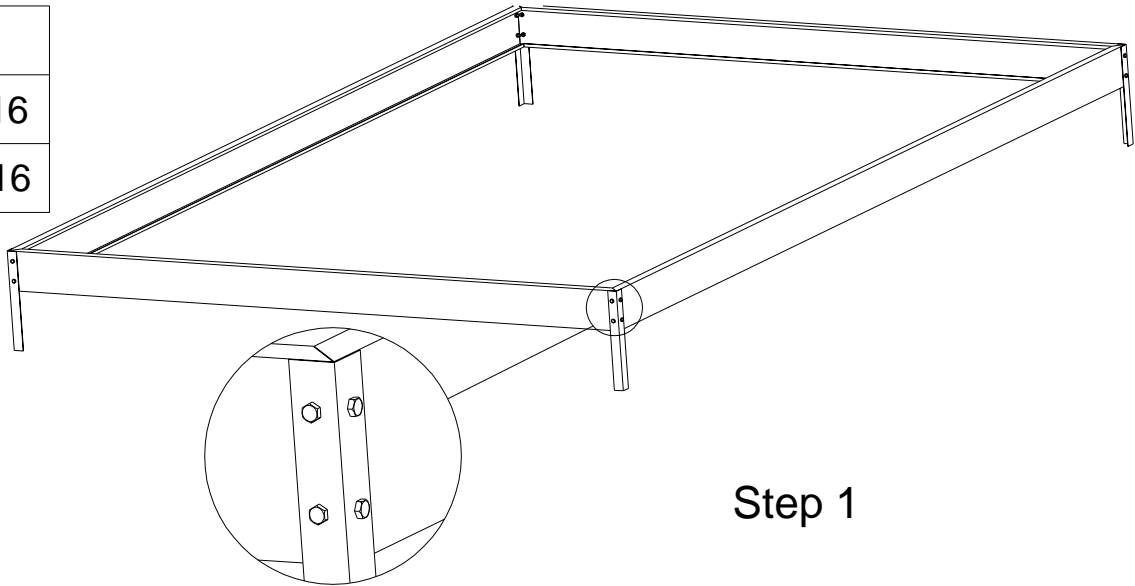
## Assembly instruction



PRODUCT SIZE(LxWxH): 6' x 4' x 7' FT

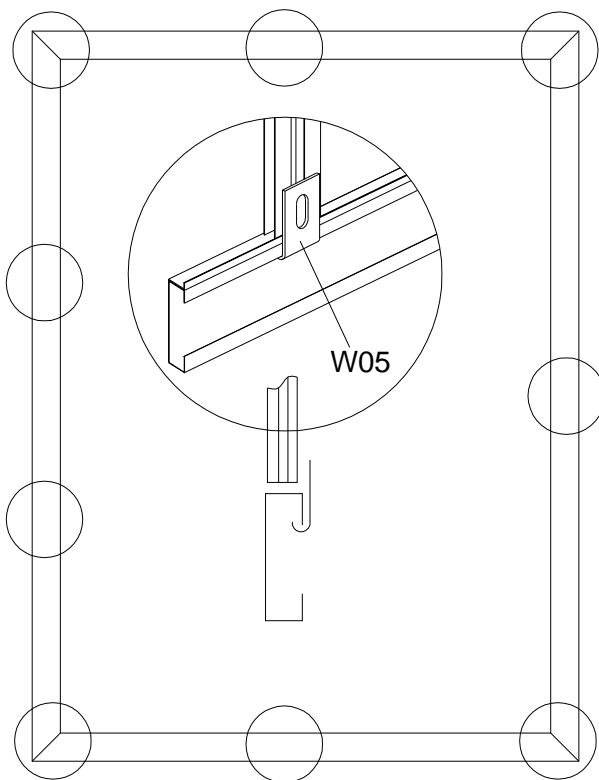
PLEASE READ CAREFULLY BEFORE ASSEMBLY

	W05	9
	S01	16
	M01	16



## Step 1

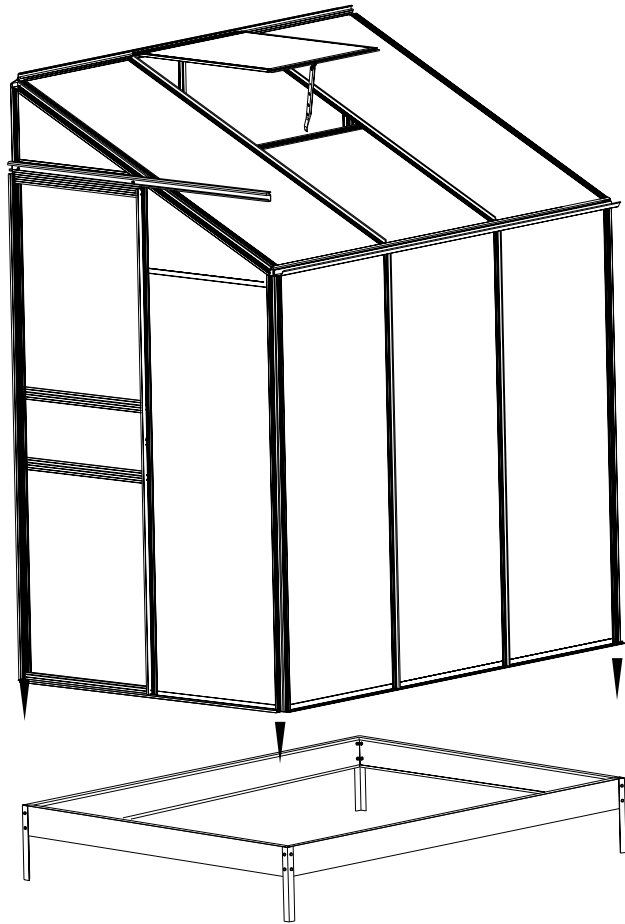
When fixing the greenhouse with the base, please loosen the screws of the greenhouse and then fix the W05 with it. There are no extra screws for the base.



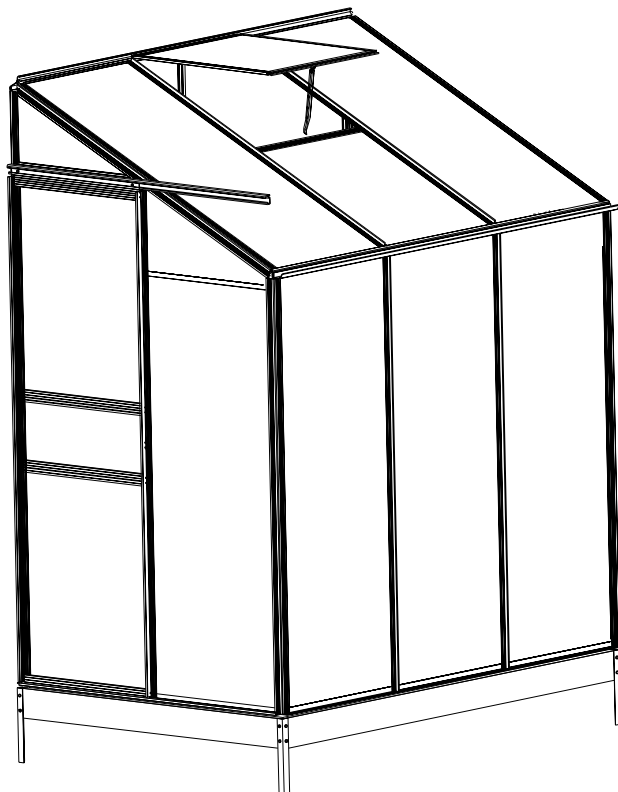
## Step 2

### Note:

1. Skip to next step if you don't take the base.
2. Please make sure the PC panel the side with words faces out.
3. It is not necessary to seal the panel with tape or caulking.

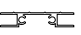


Step 3

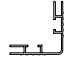
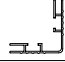
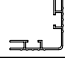
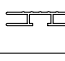
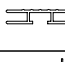







Step 4


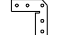

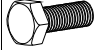








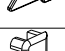


(P2) Assembly

PART	NO.	Qty.
	L15	1
	L16B	3
	L18A	2



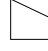


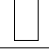
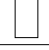




(P8~P11) Assembly

PART	NO.	Qty.
	L01D	1
	L01E	1
	L01F	1
	L03A	1
	L03B	1
	L04A	1
	L05A	1
	L05B	1
	L10	1
	L14	1


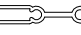
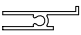
PARTS

PART	NO.	Qty.
	W02	2
	W03	1
	W04	4
	S01	50
	M01	52
	S02	2
	Z03	4
	Z02	4
	Z01	16
	W06	1
	W08	1
	J01R/L	1/1
	J02R/L	1/1
	J03R/L	1/1
	J04	1

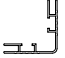


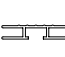
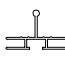


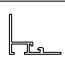
Polycarbonate



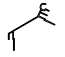



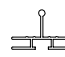
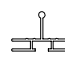
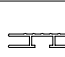
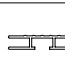
PART	NO.	Qty.
	Y1	1
	Y2	3
	Y3	1
	Y4	1
	Y5	1
	Y6	3
	Y7	2
	Y9	1
	Y10	1
	Y11	2
	Y12	1

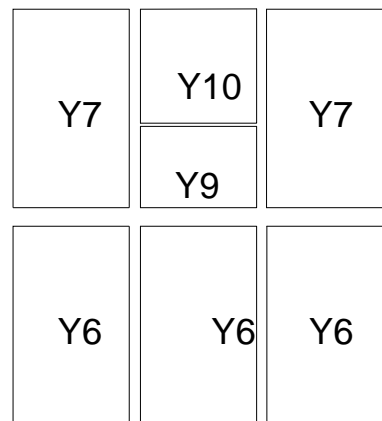
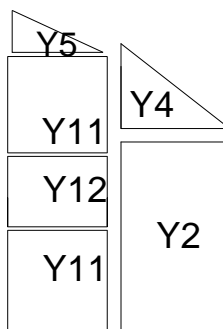
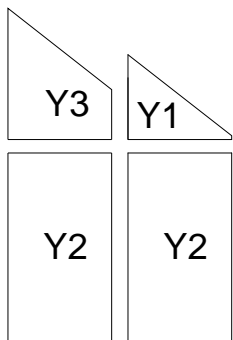
(P3) Assembly


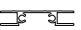

PART	NO.	Qty.
	L19	2
	L20	1
	L21	1

(P4~P7) Assembly (P12~P18) Assembly

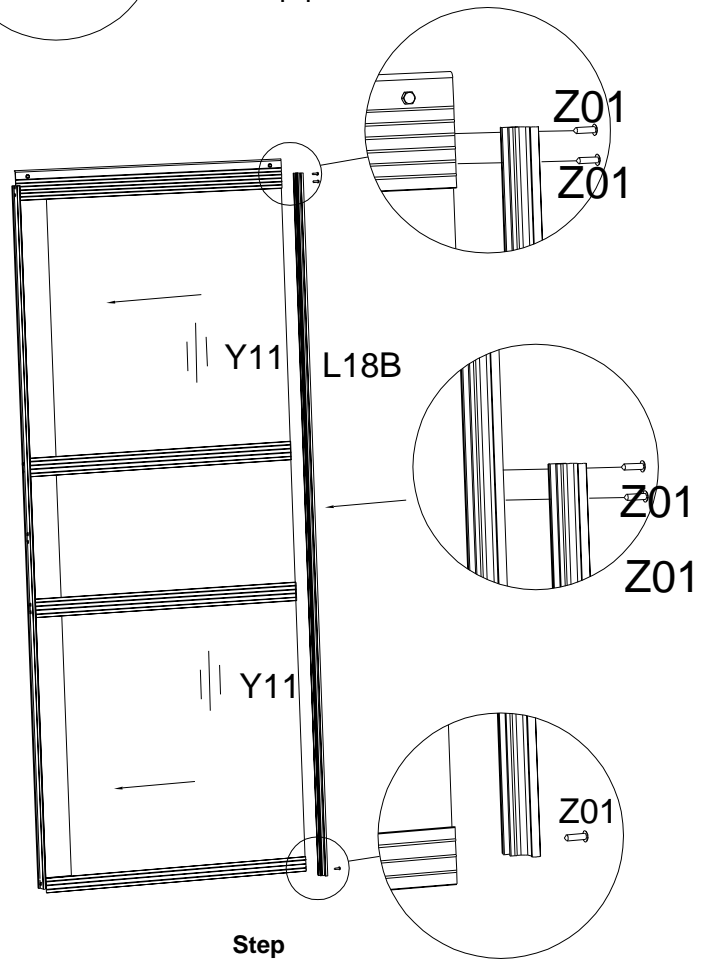
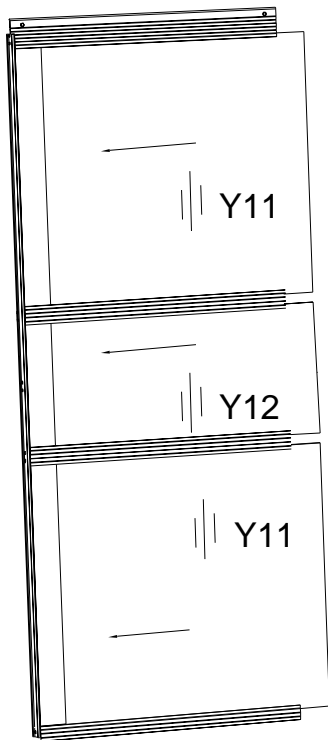
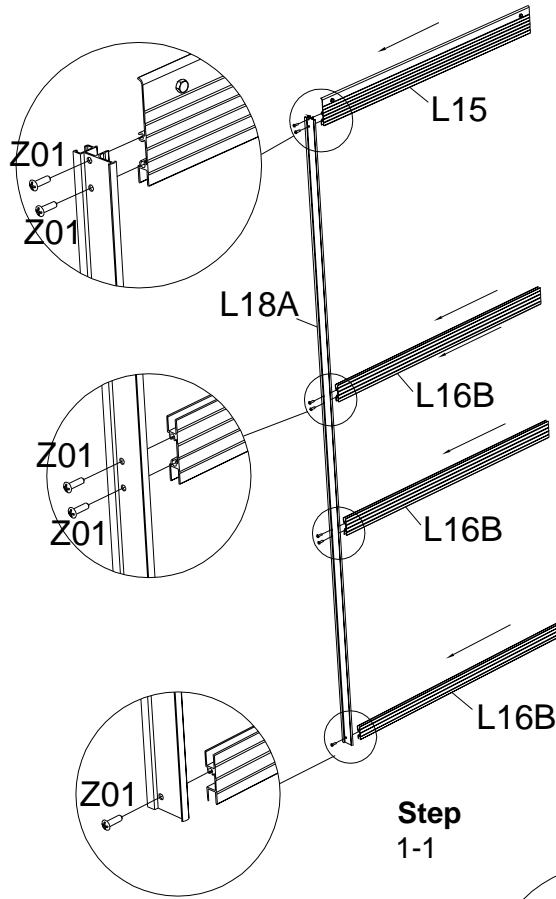
PART	NO.	Qty.
	L01A	1
	L01B	1
	L01C	1
	L03B	2
	L02C	1
	L05E	1
	L05A	1
	L08A	1

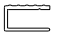
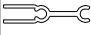
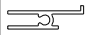
PART	NO.	Qty.
	L08B	1
	L07	1
	L06	1
	L09	1
	L05C	2
	L05D	2
	L02A	2
	L02B	2
	L03D	1
	L03B	1



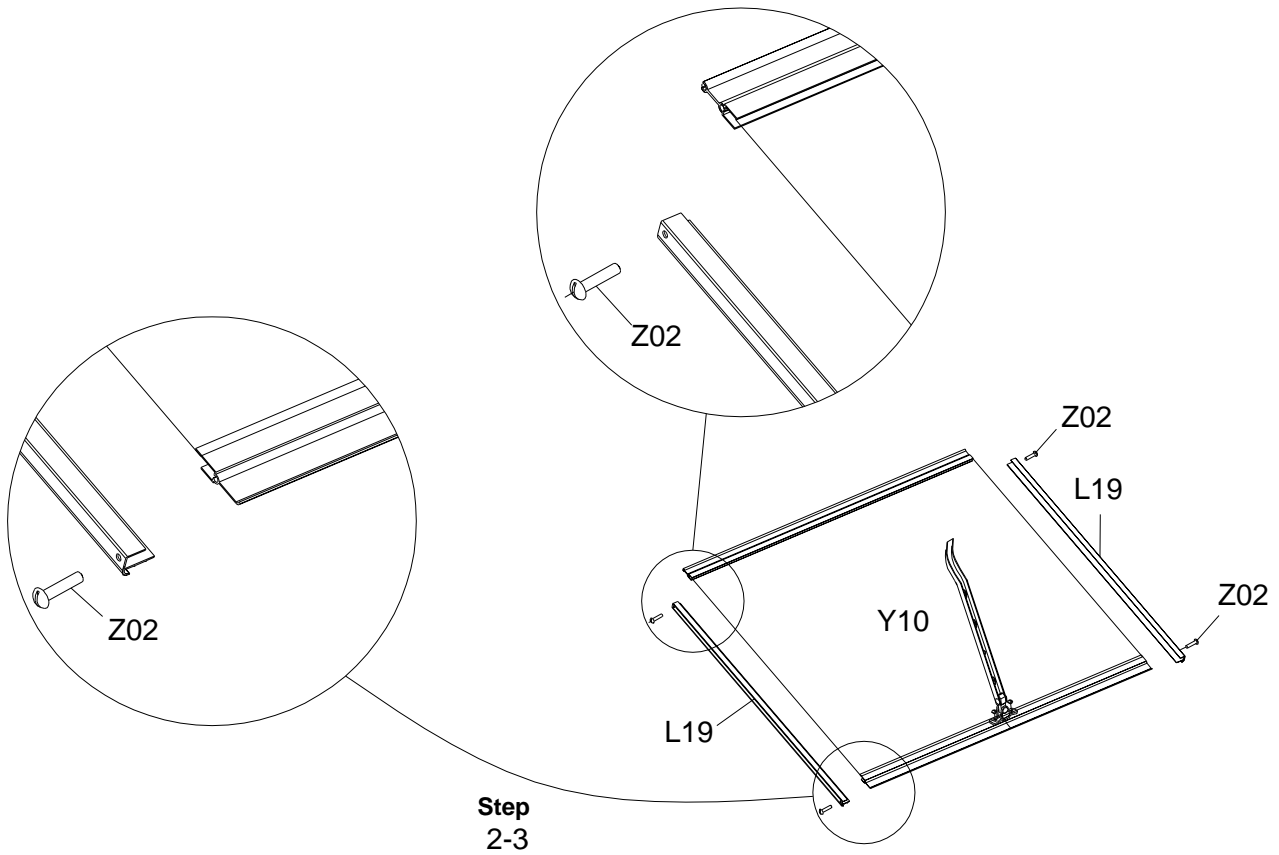
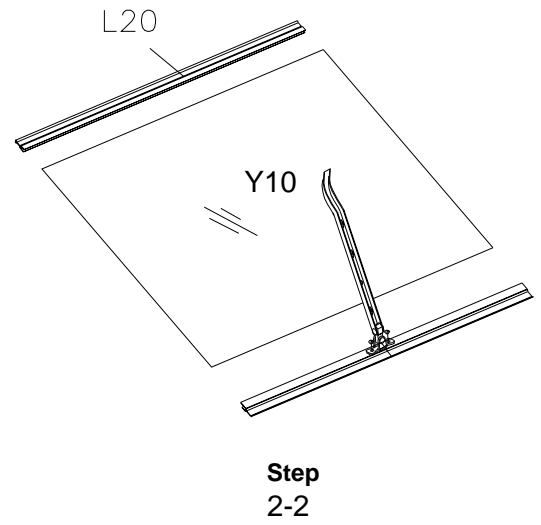
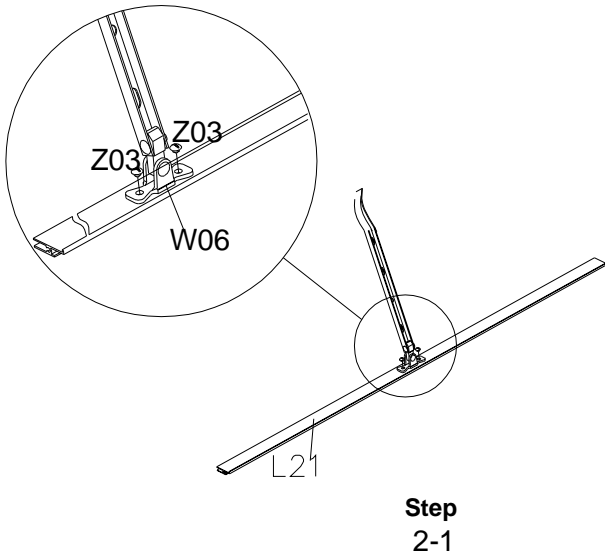
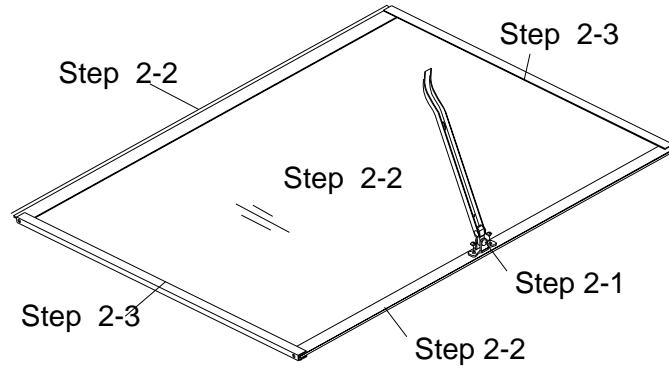
PART	NO.	Qty.
	L15	1
	L16B	3
	L18A	2


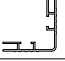

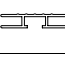
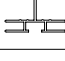
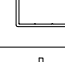

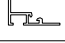
P2 Door Frame Assembly



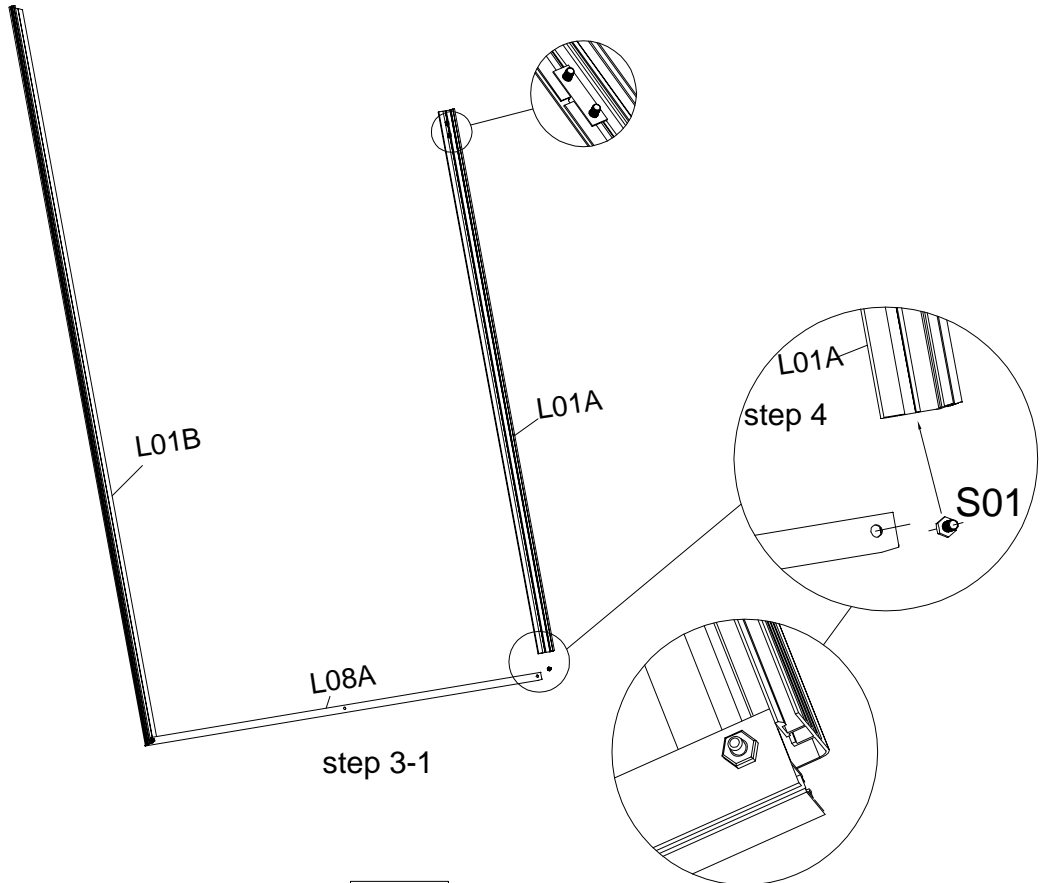
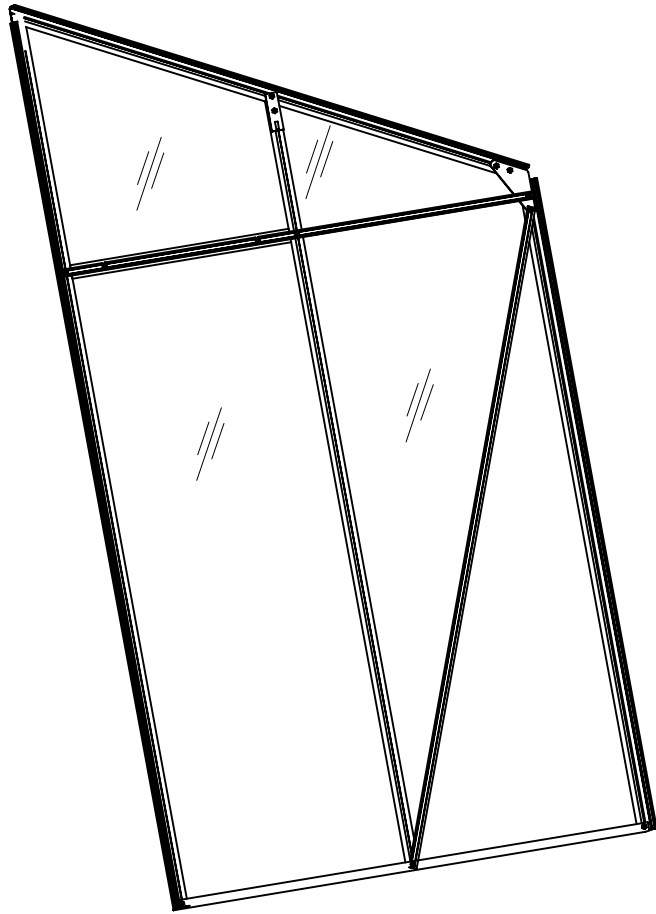
PART	NO.	Qty.
	L19	2
	L20	1
	L21	1

P3 Window Frame Assembly

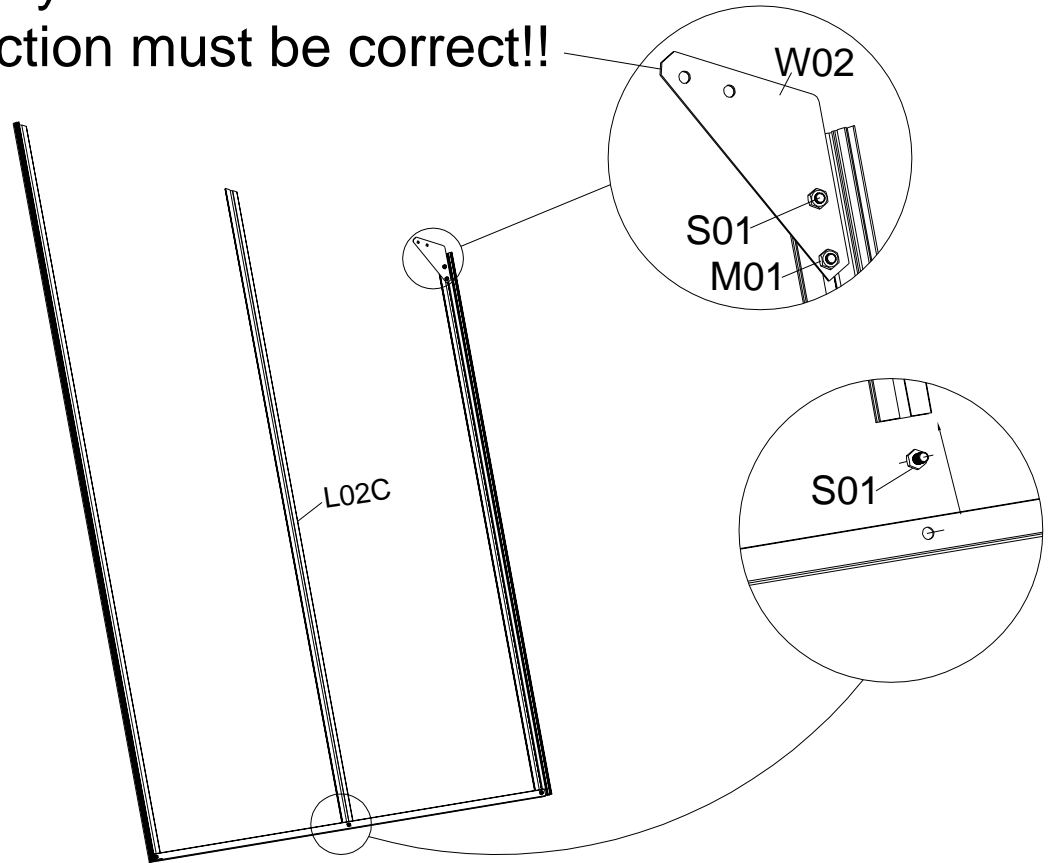


PART	NO.	Qty.
	L01A	1
	L01B	1
	L01C	1
	L03B	2
	L02C	1
	L05E	1
	L05A	1
	L08A	1

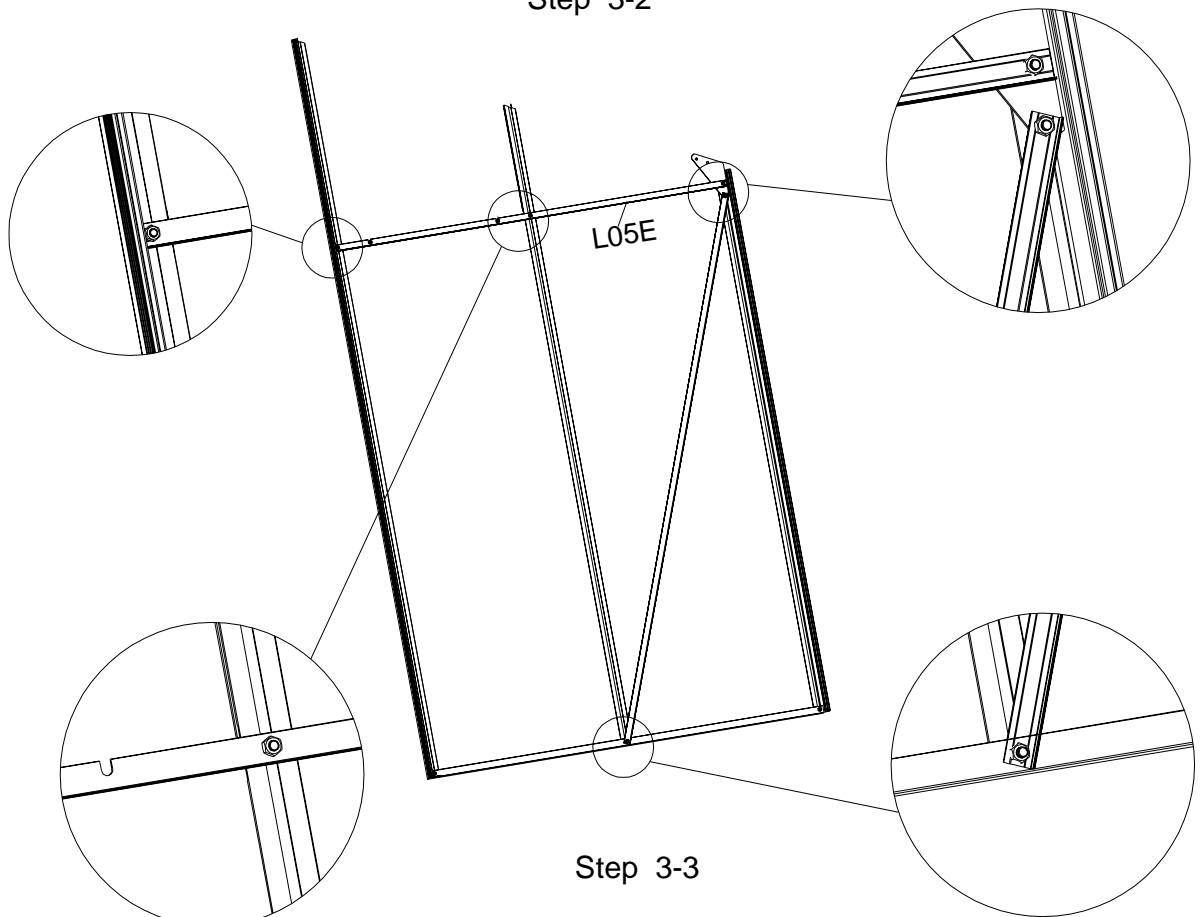
(P4~P7) Rear Frame Assembly



Please pay attention to the cut corner.  
The direction must be correct!!

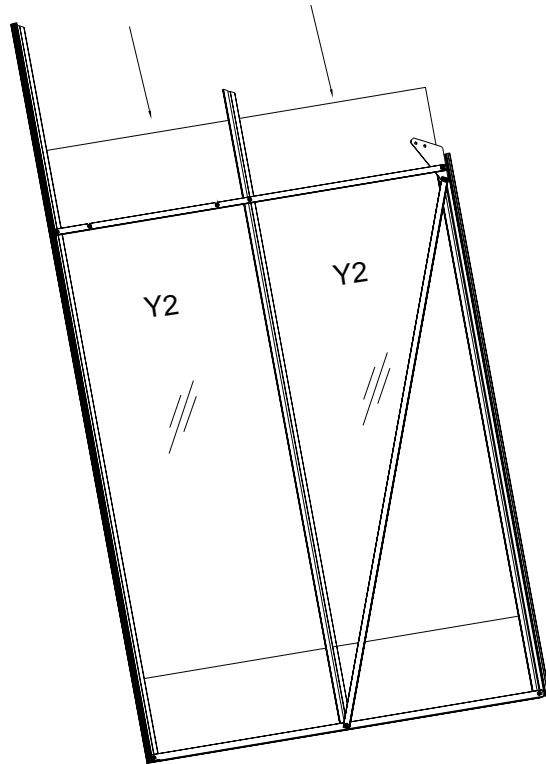


Step 3-2

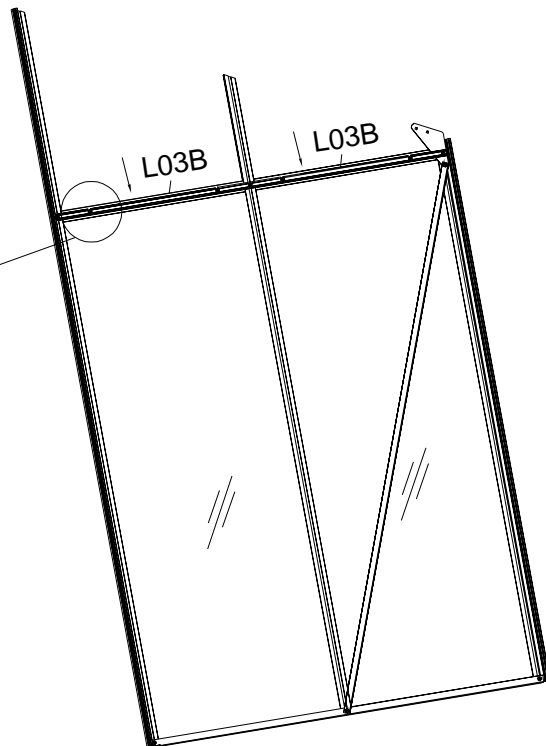
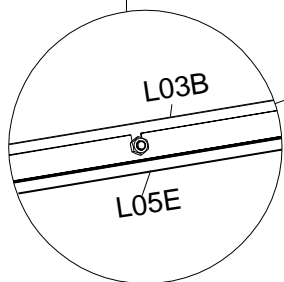
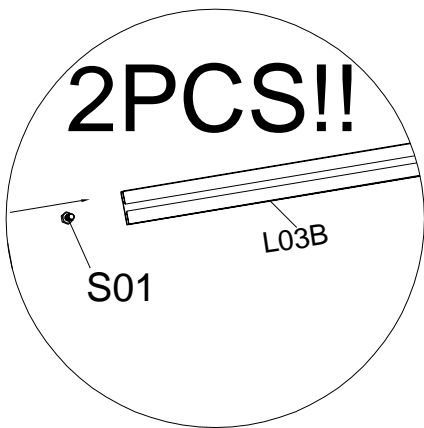


Step 3-3

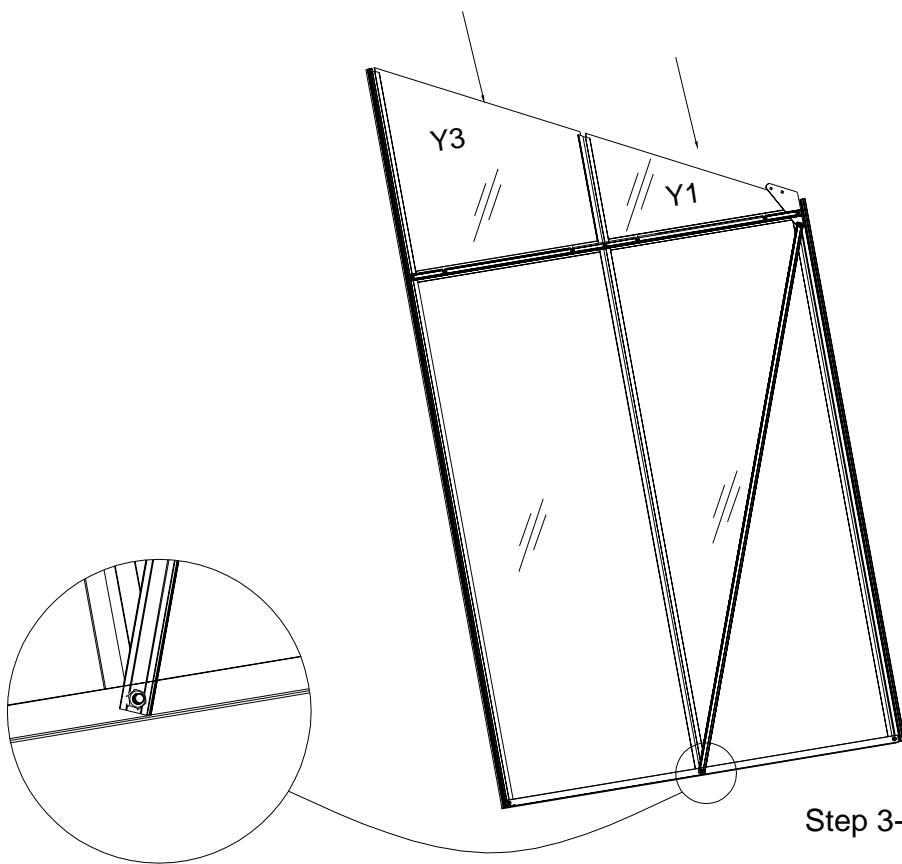




Step 3-4

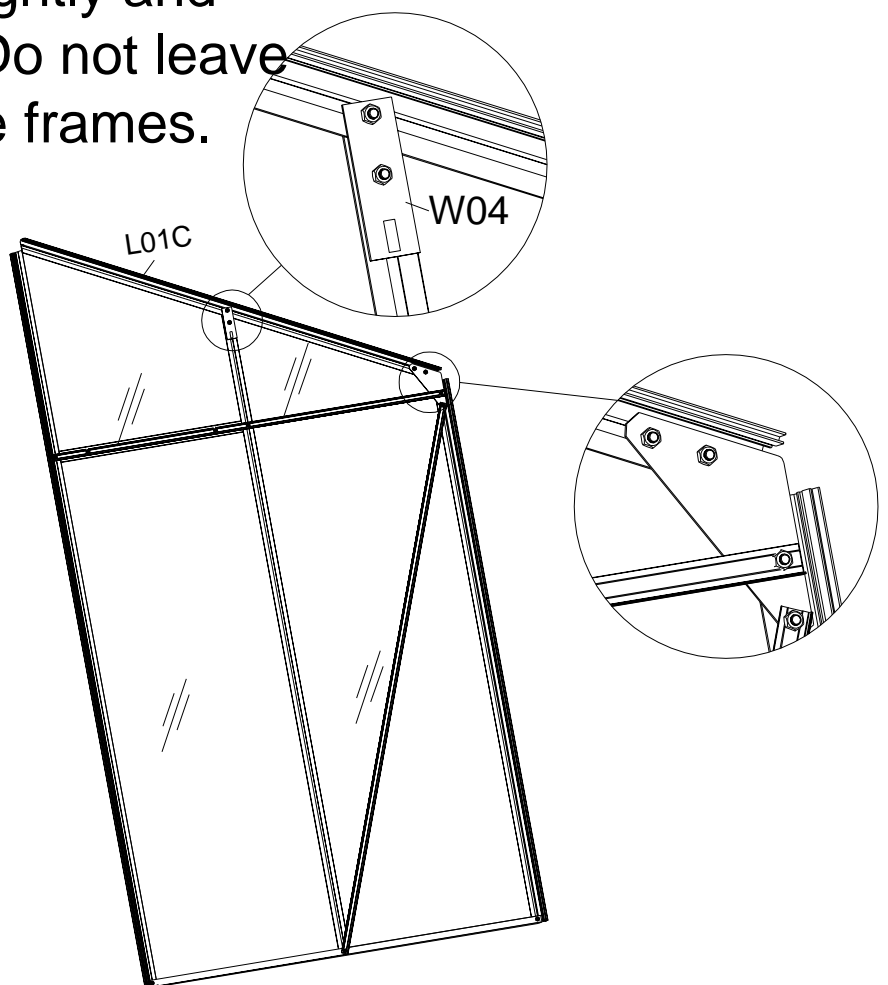


Step 3-5



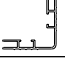


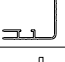


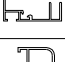



Step 3-6

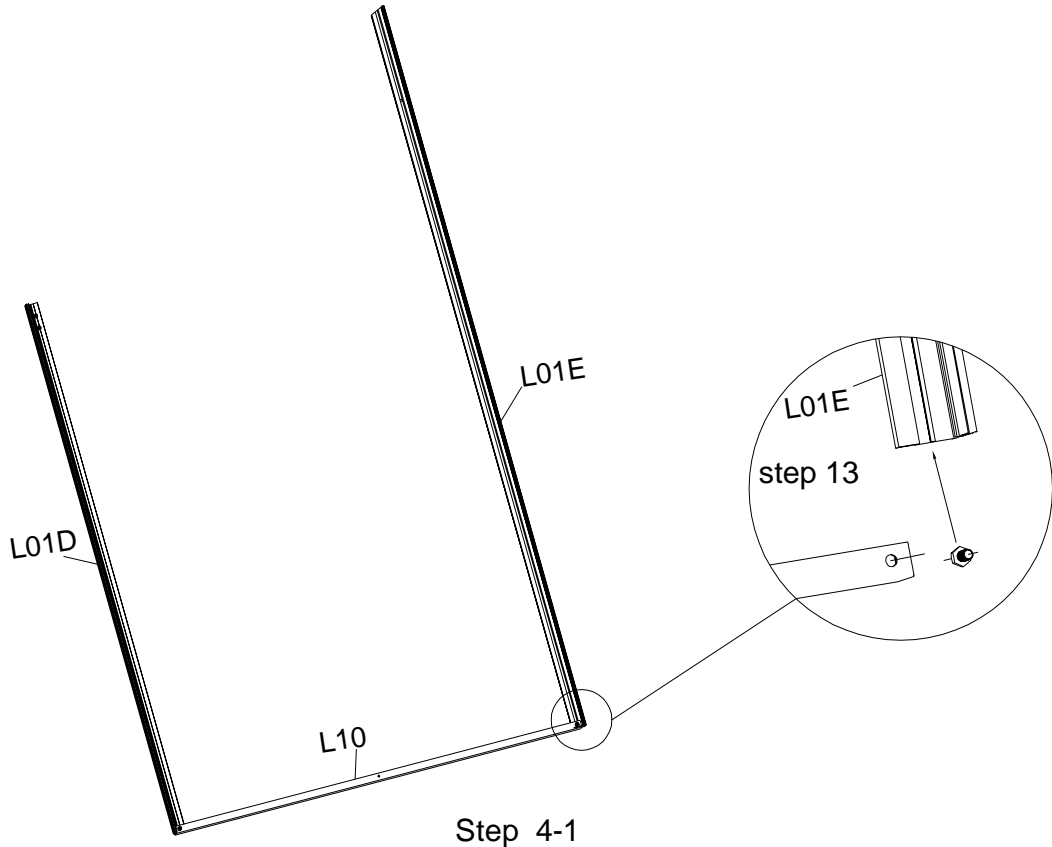
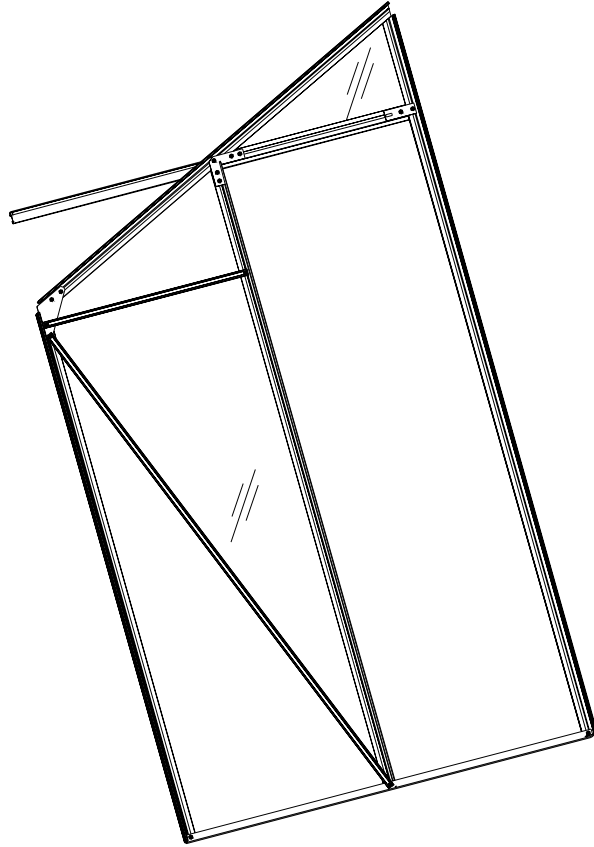
Frames must be put tightly and correctly using W04. Do not leave big space between the frames.



Step 3-7

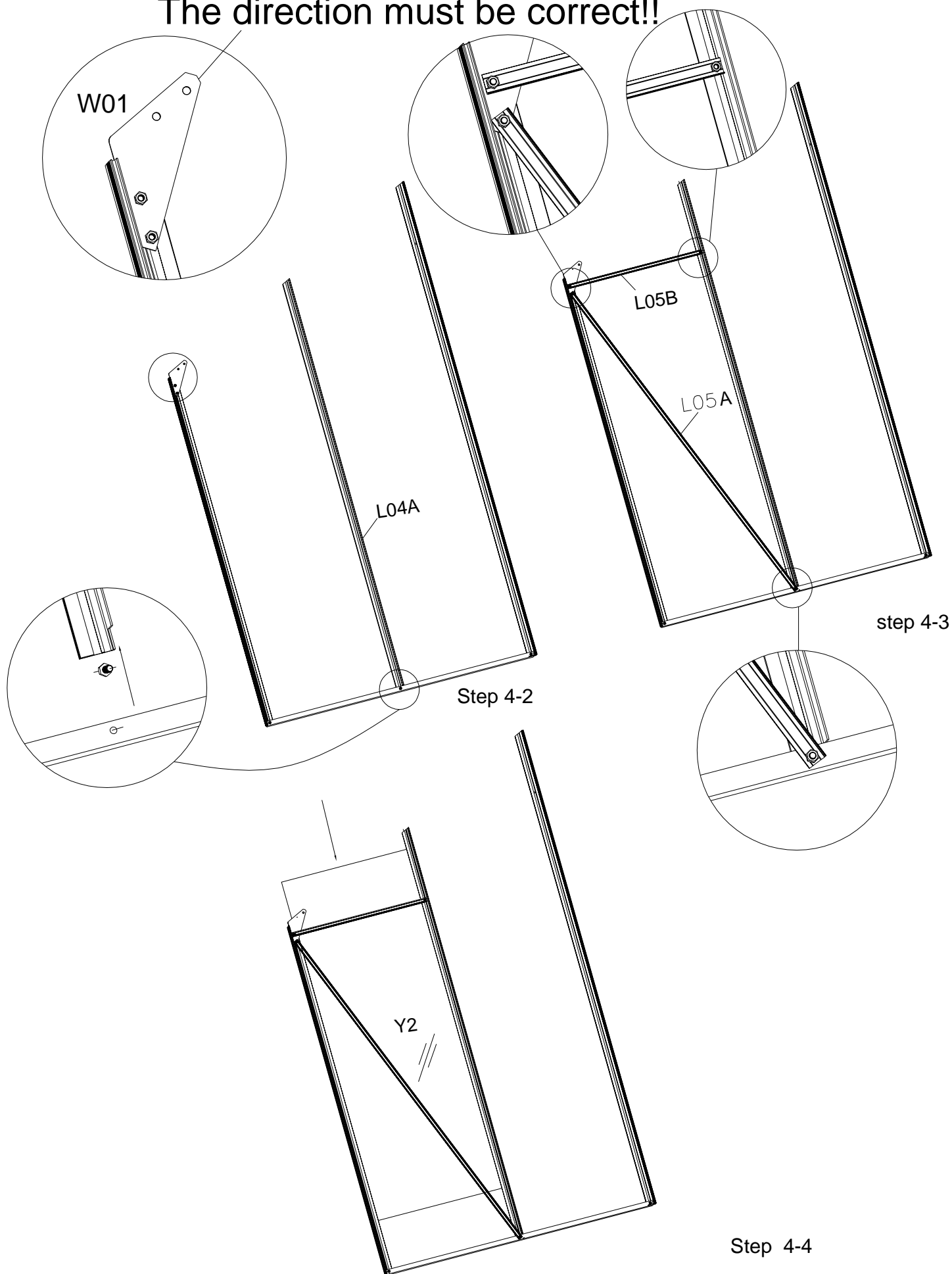
PART	NO.	Qty.
	L01D	1
	L01E	1
	L01F	1
	L03A	1
	L03B	1
	L04A	1
	L05A	1
	L05B	1
	L10	1
	L14	1

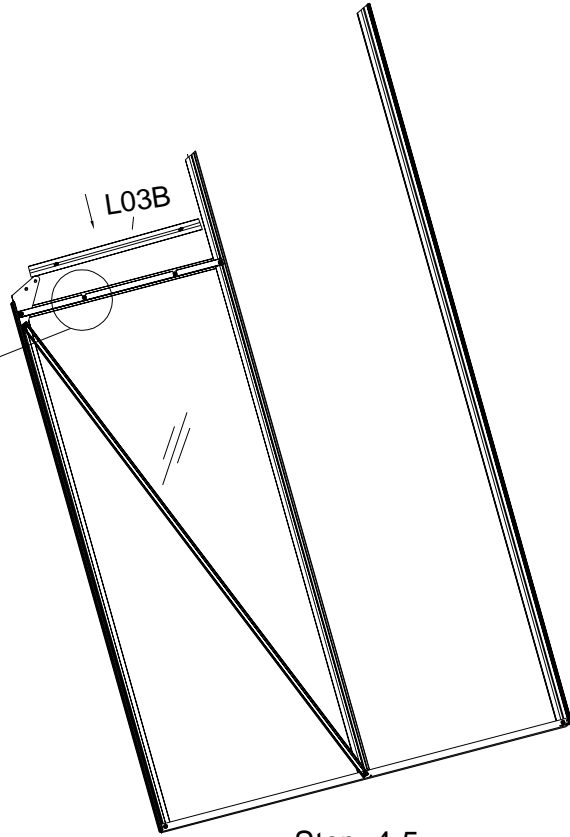
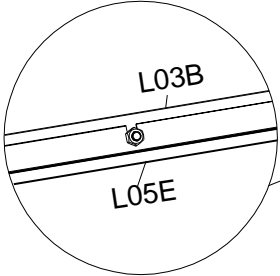
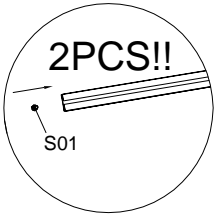
(P8~P11) Assembly



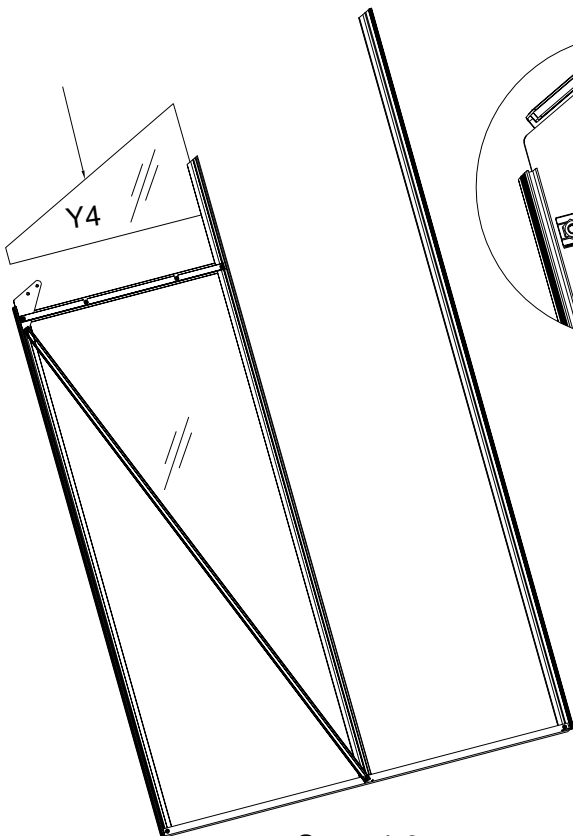
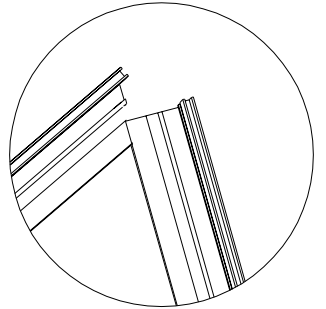
Step 4-1

Please pay attention to the cut corner.  
The direction must be correct!!

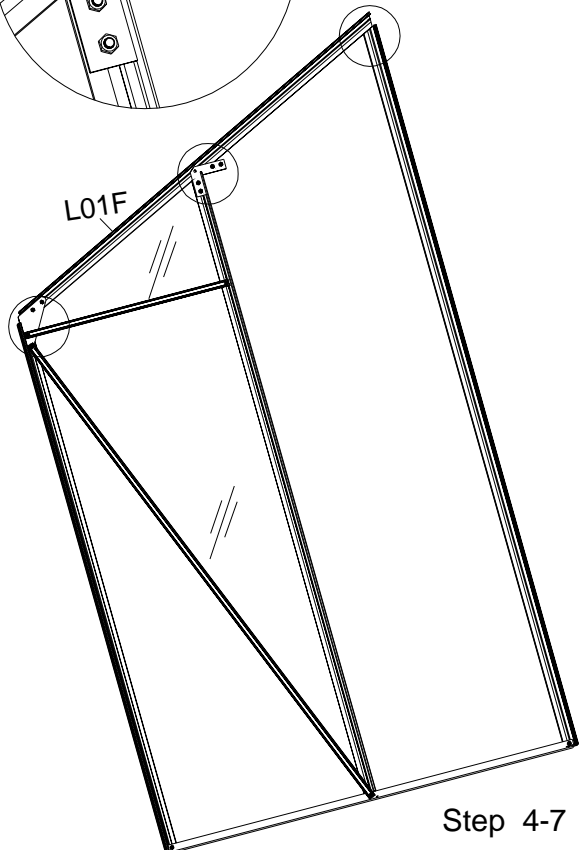
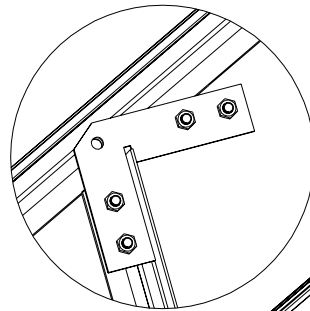
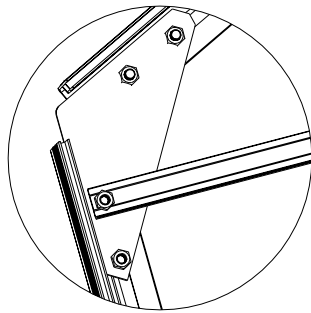




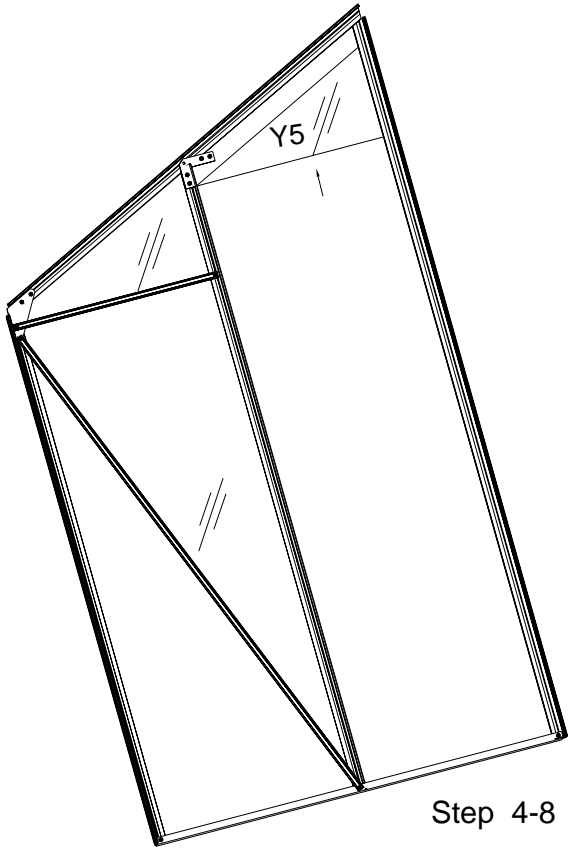
Step 4-5



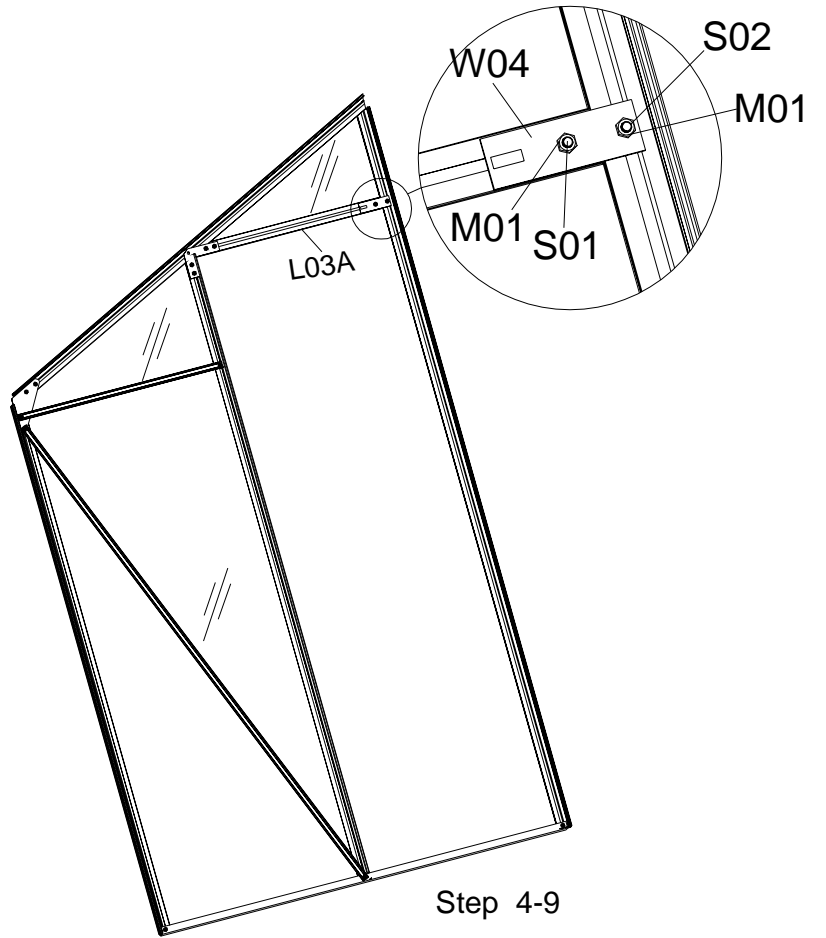
Step 4-6



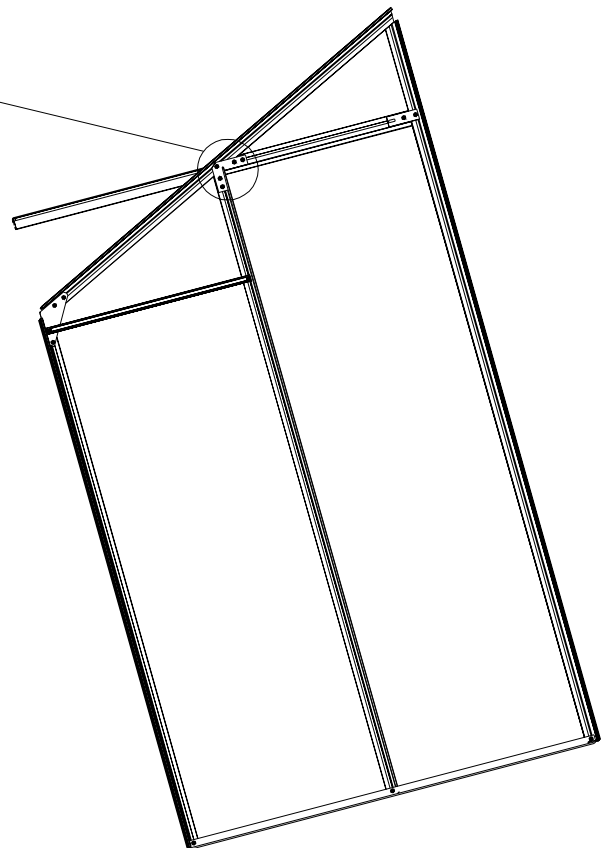
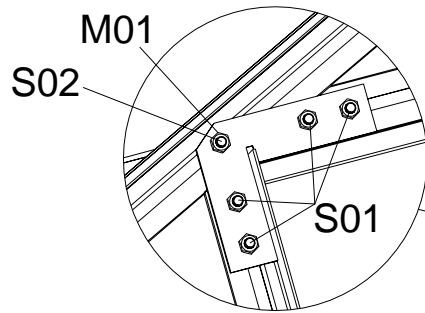
Step 4-7



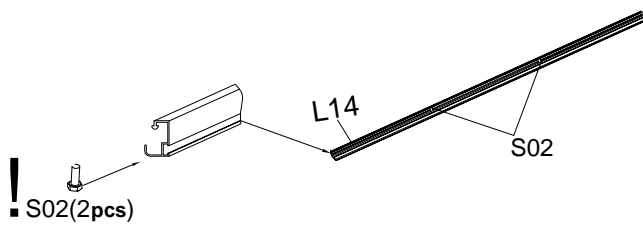
Step 4-8





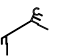



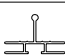
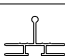
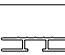

Step 4-9



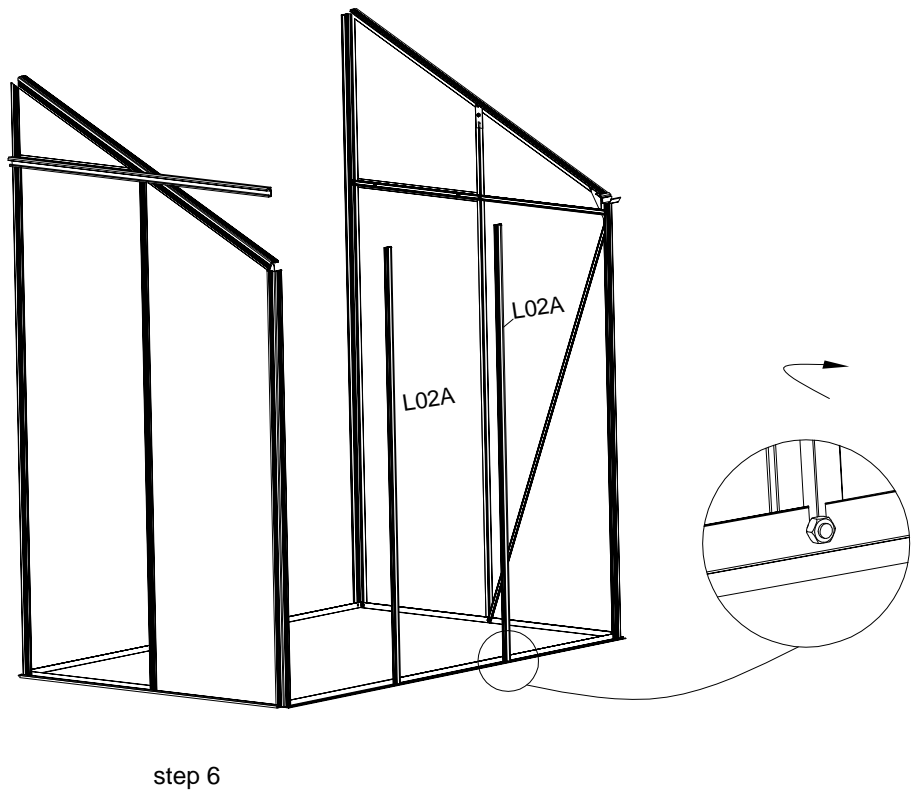
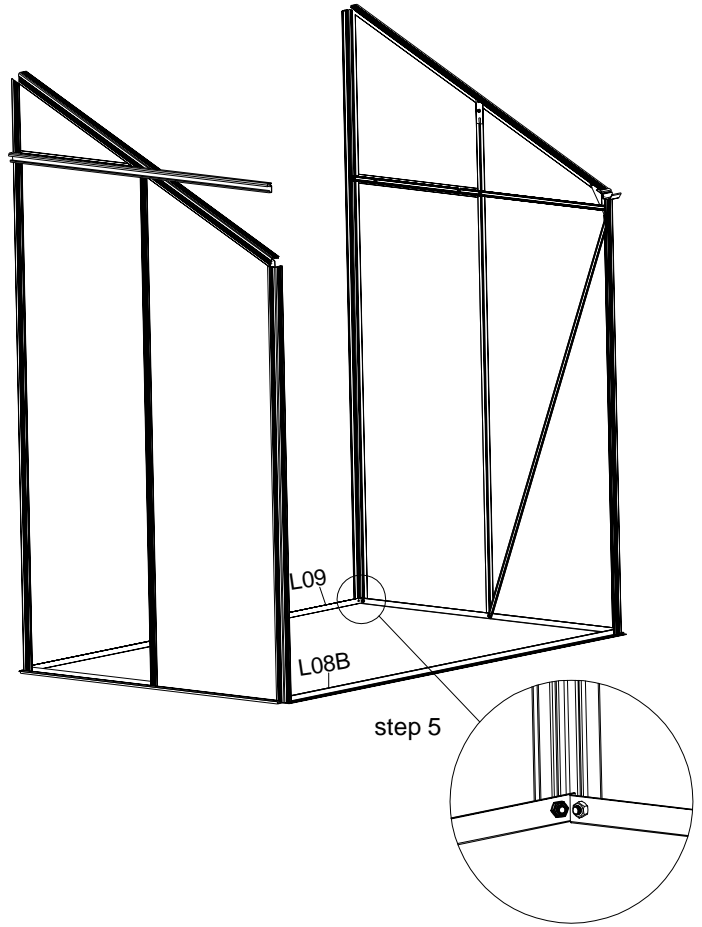
Step 4-11

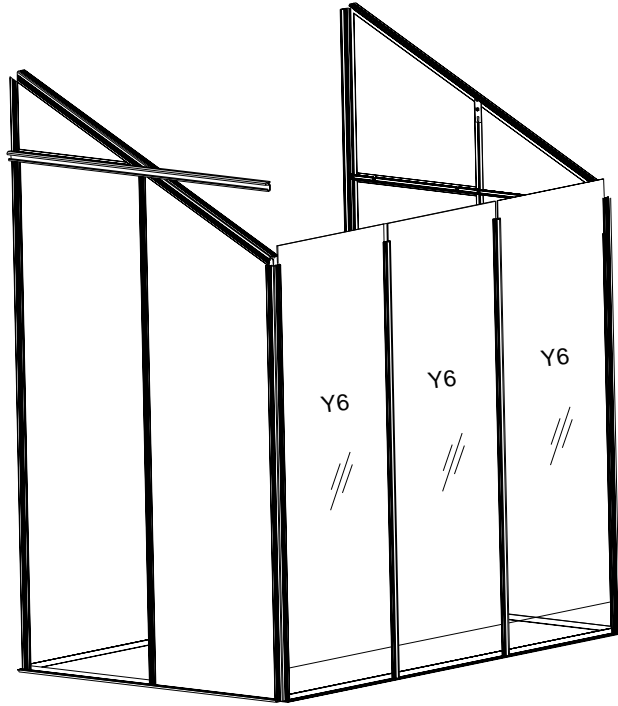


Step 4-10

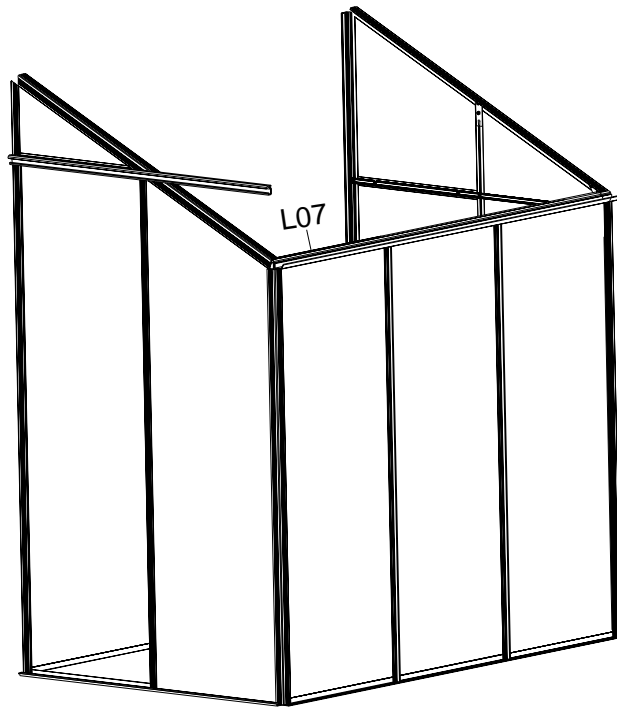
Part	NO.	QTY.
	L08B	1
	L07	1
	L06	1
	L09	1
	L05C	2
	L05D	2
	L02A	2
	L02B	2
	L03D	1
	L03B	1

(P12~P19) Assembly



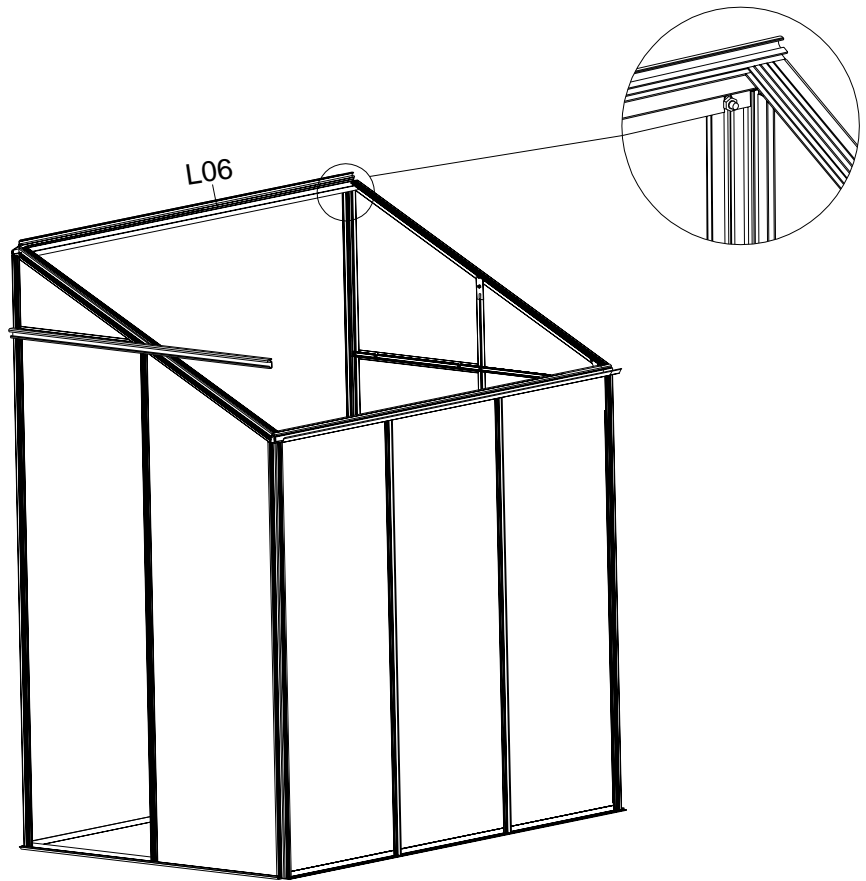


step 7

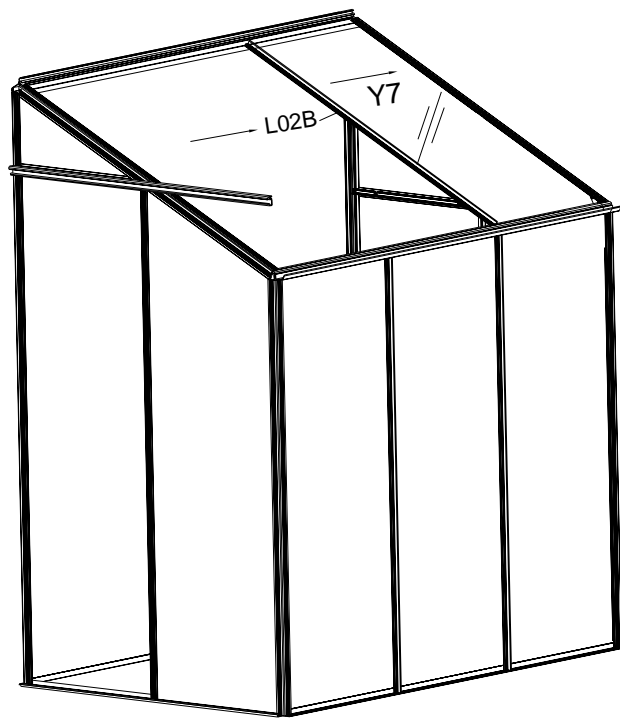


step 8

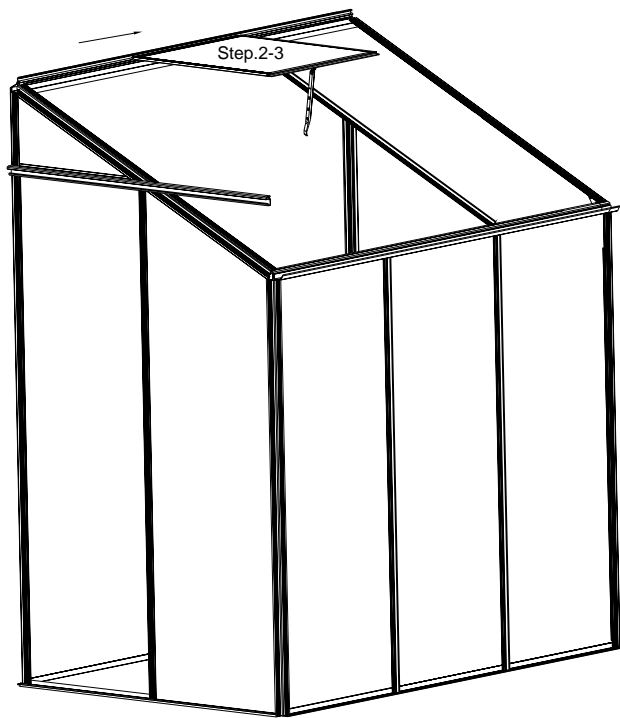




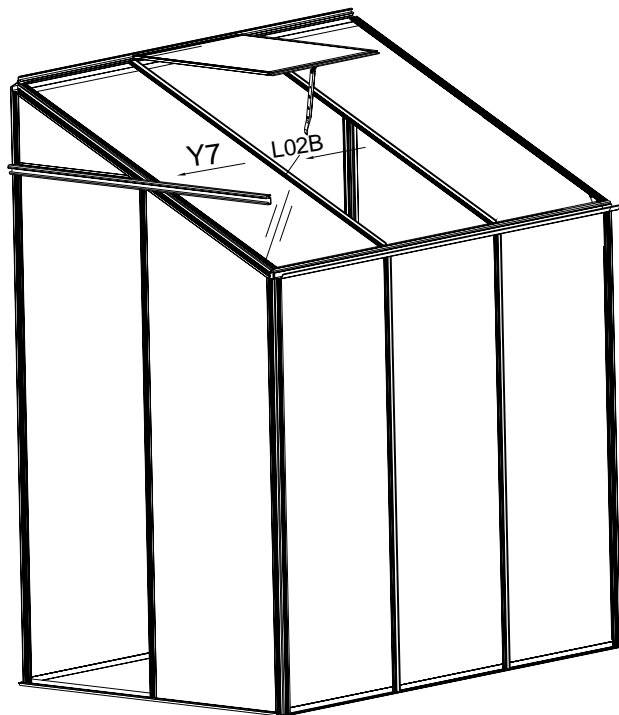
step 9



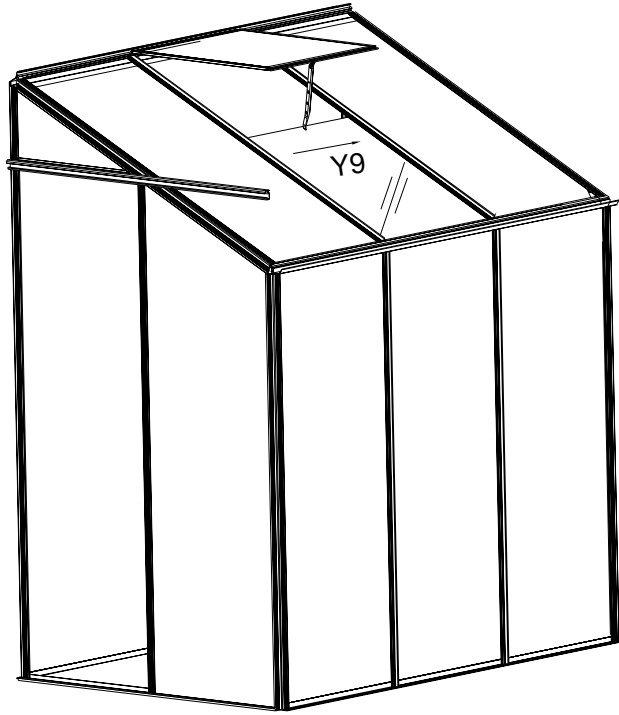
step 10



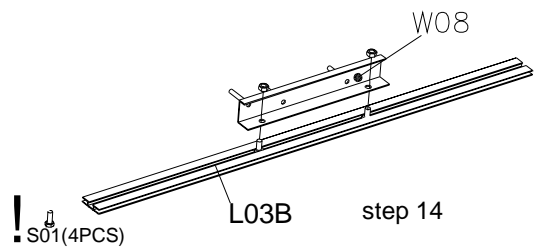
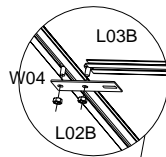
step 11



step 12

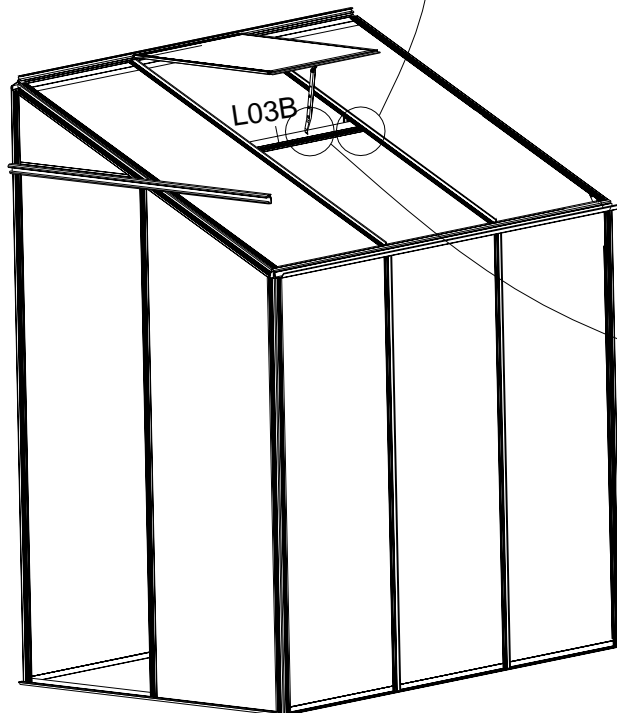


step 13

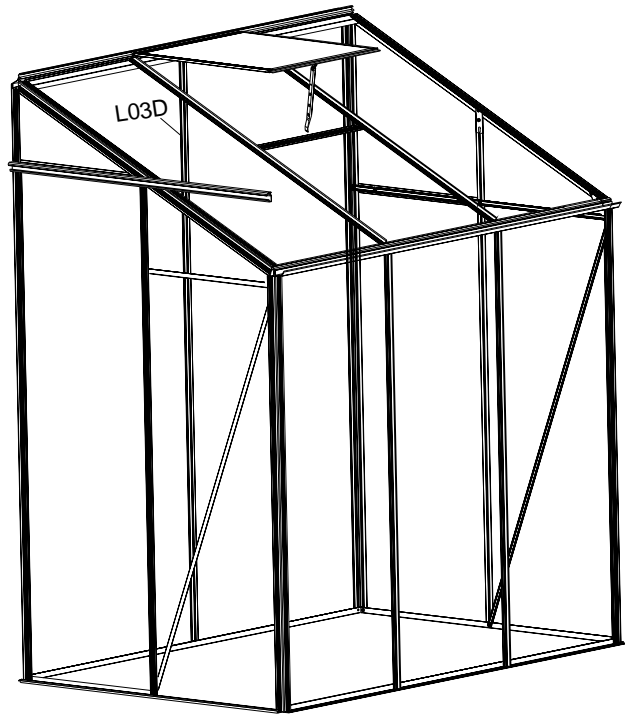


step 14

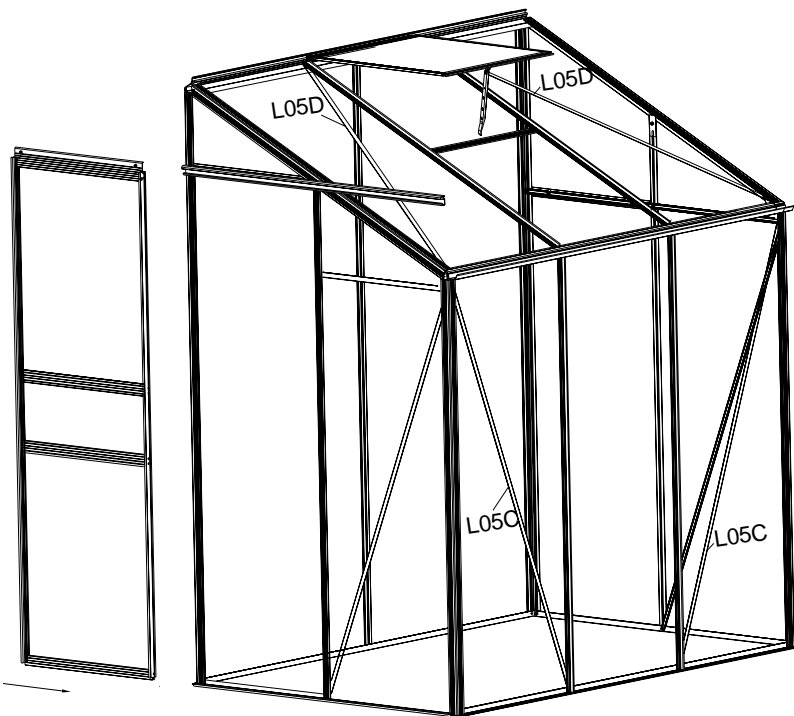
Do not forget to  
put 4pcs S01  
into L03B!!



step 15

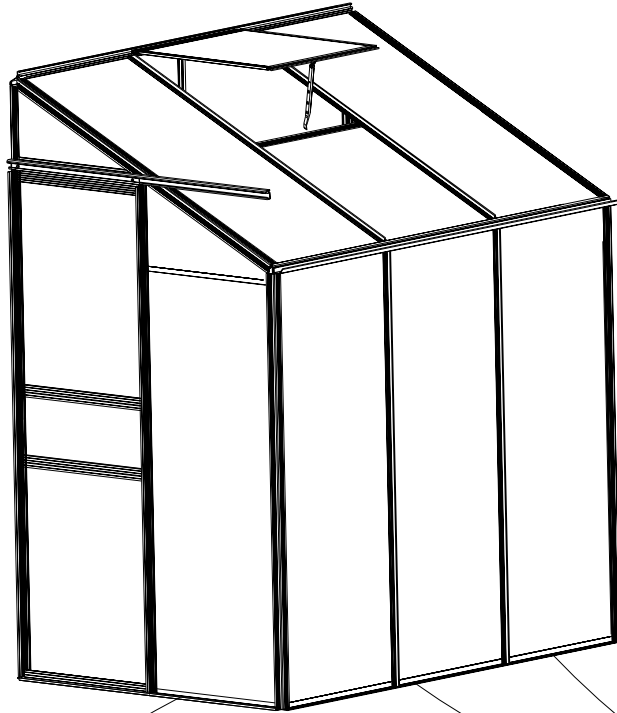


step 16

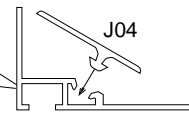
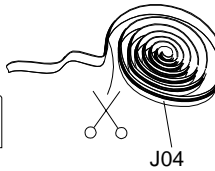
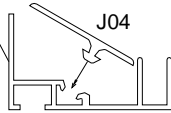


Step  
1-3

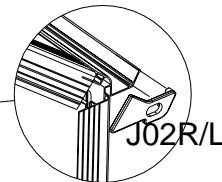
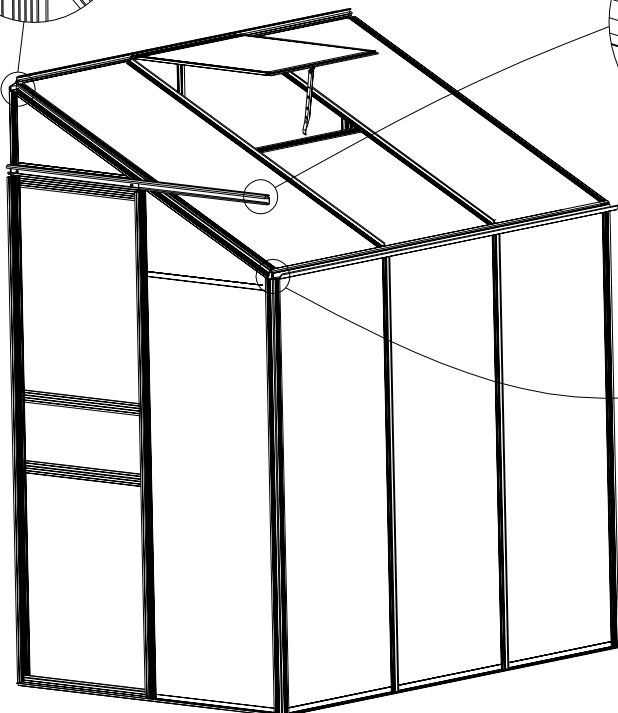
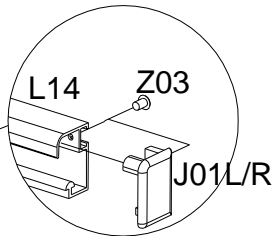
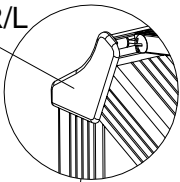
step 17



step 18



J01R/L



step 19