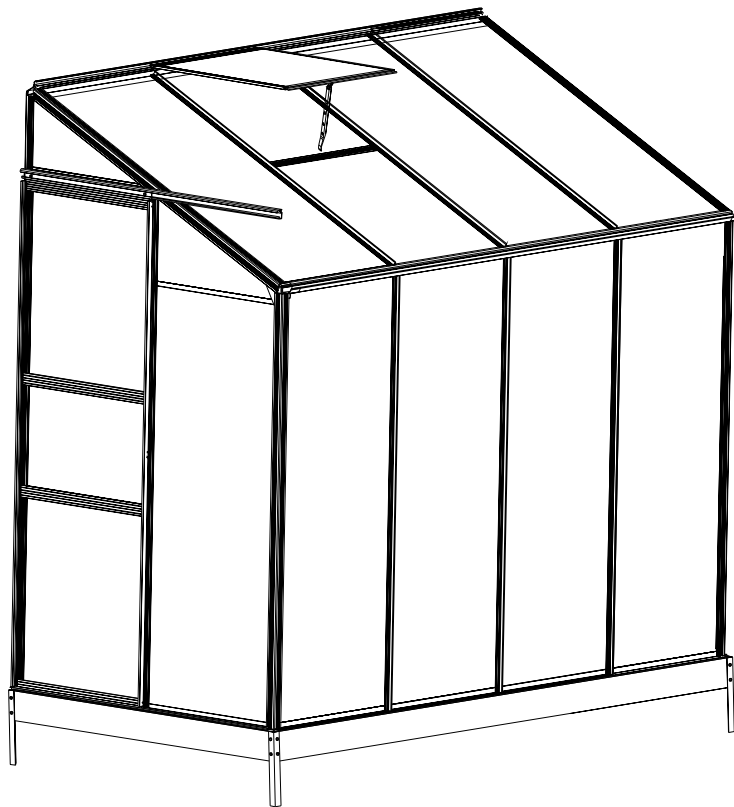



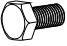

# Lean To Greenhouse

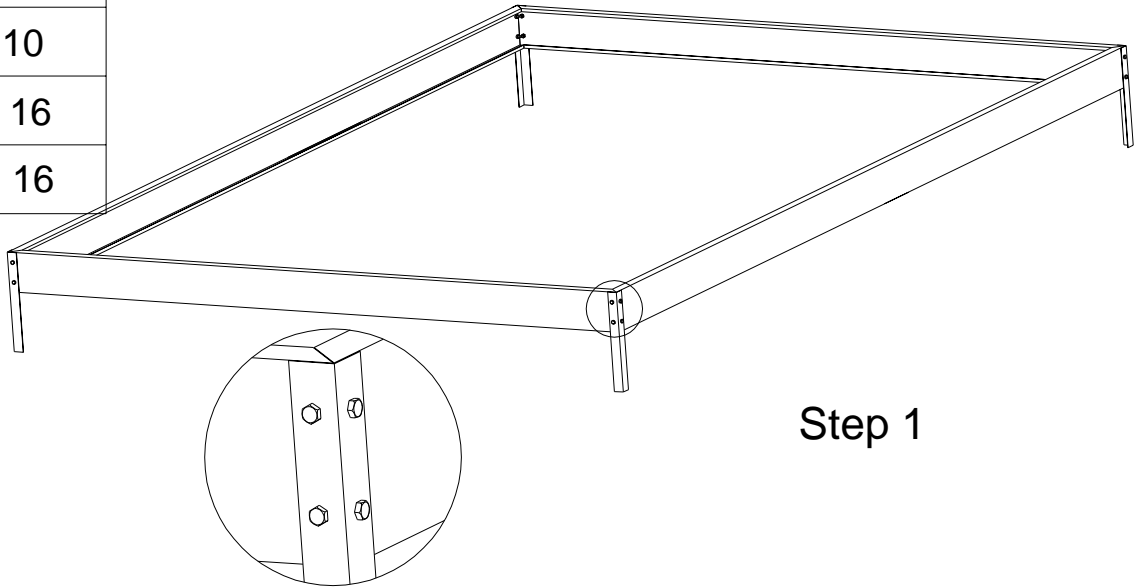
## Assembly instruction



PRODUCT SIZE(LxWxH): 8' x 4' x 7'FT

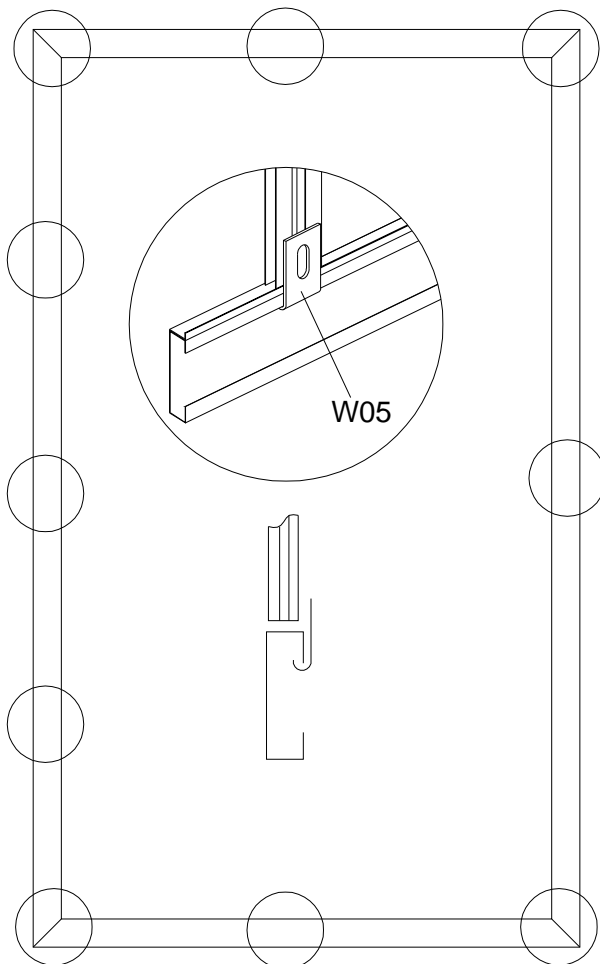
PLEASE READ CAREFULLY BEFORE ASSEMBLY

Part	NO.	QTY.
	W05	10
	S01	16
	M01	16



### Step 1

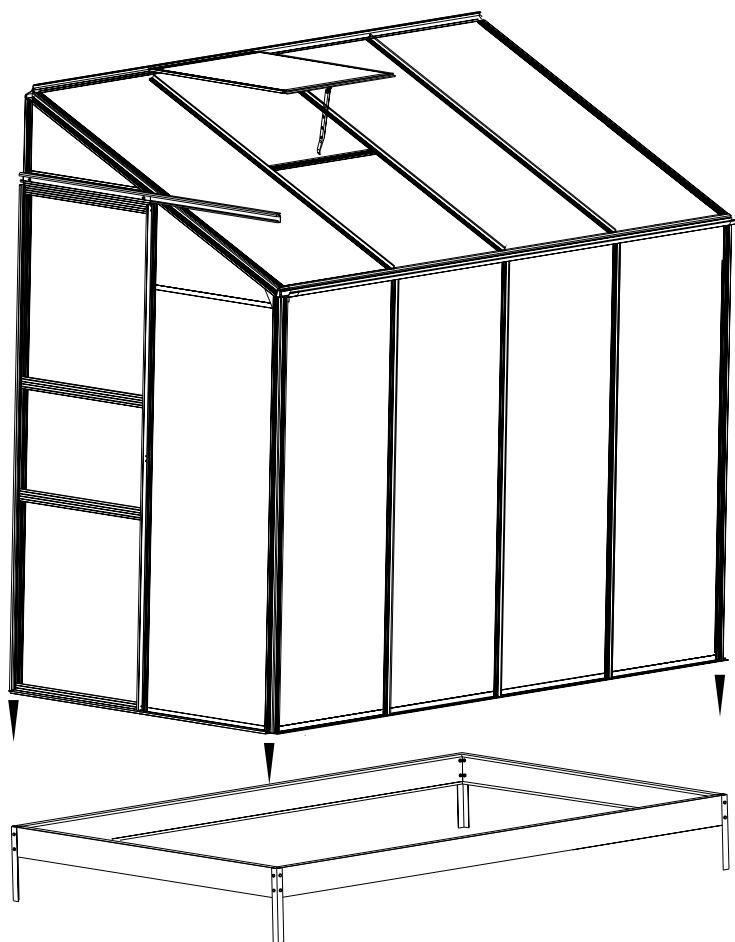
When fixing the greenhouse with the base, please loosen the screws of the greenhouse and then fix the W05 with it. There are no extra screws for the base.



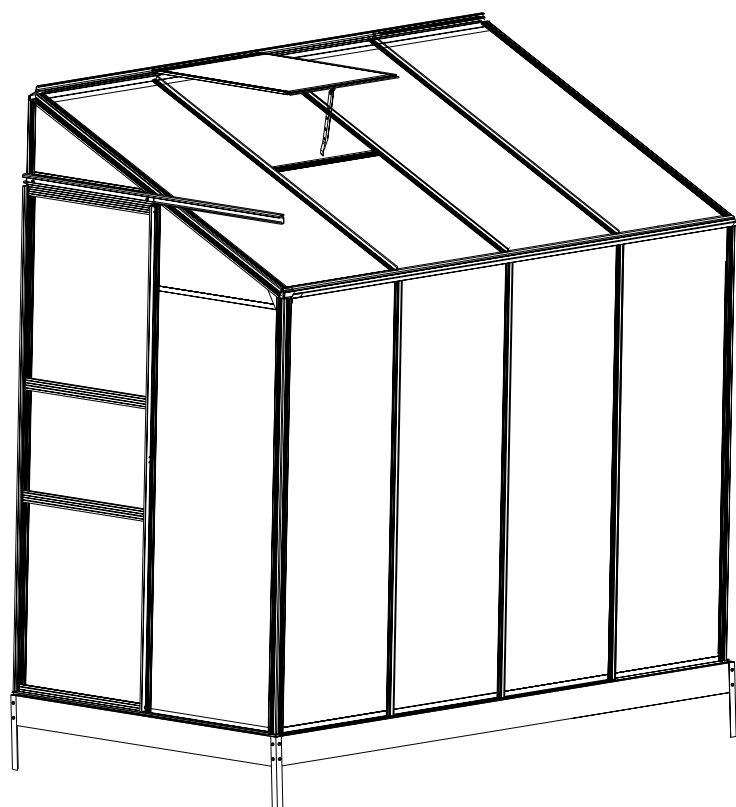
### Step 2

**Note:**

1. Skip to next step if you don't take the base.
2. Please make sure the PC panel the side with words faces out.
3. It is not necessary to seal the panel with tape or caulking.



Step 3



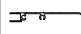
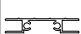
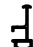
Step 4

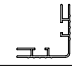









(P2) Assembly


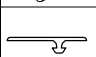
(P8~P11) Assembly

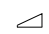

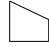

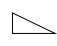




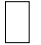

PARTS

Polycarbonate


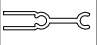
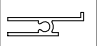
PART	NO.	Qty.
	L15	1
	L16B	3
	L18A	2

PART	NO.	Qty.
	L01D	1
	L01E	1
	L01F	1
	L03A	1
	L03B	1
	L04A	1
	L05A	1
	L05B	1
	L10	1
	L14	1





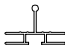


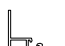
PART	NO.	Qty.
	W02	2
	W03	1
	W04	4
	S01	54
	M01	56
	S02	2
	Z03	4
	Z02	4
	Z01	16
	W06	1
	W08	1
	J01R/L	1/1
	J02R/L	1/1
	J03R/L	1/1
	J04	1








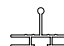


PART	NO.	Qty.
	Y1	1
	Y2	3
	Y3	1
	Y4	1
	Y5	1
	Y6	4
	Y7	3
	Y9	1
	Y10	1
	Y11	2
	Y12	1

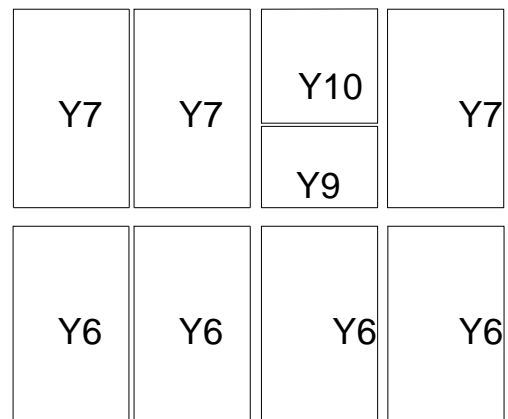
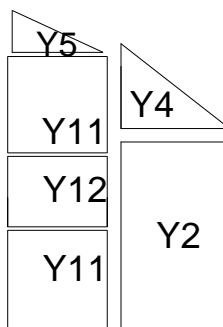
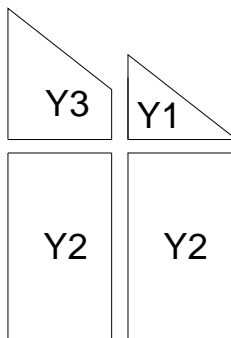
(P3) Assembly




PART	NO.	Qty.
	L19	2
	L20	1
	L21	1

(P4~P7) Assembly (P12~P19) Assembly

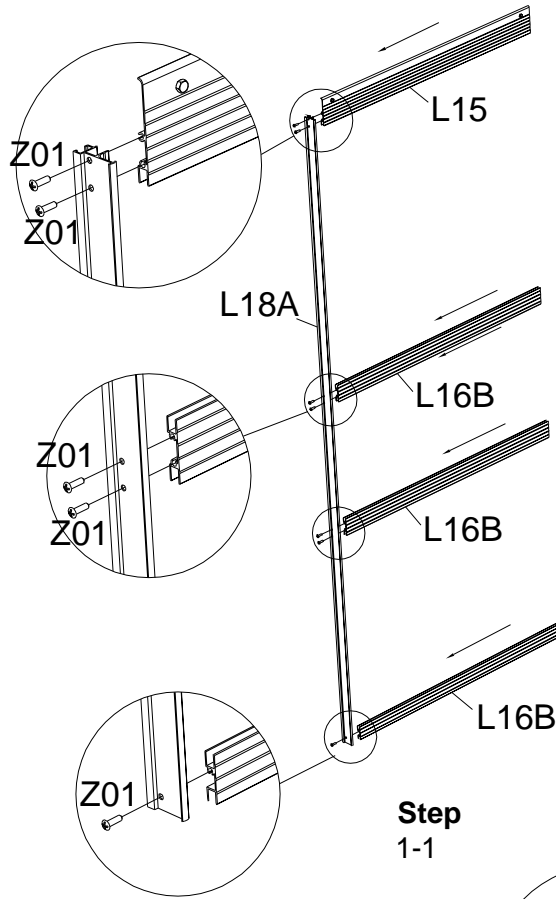
PART	NO.	Qty.
	L01A	1
	L01B	1
	L01C	1
	L03B	2
	L02C	1
	L05E	1
	L05A	1
	L08A	1

PART	NO.	Qty.
	L08B	1
	L07	1
	L06	1
	L09	1
	L05C	2
	L05D	2
	L02A	3
	L02B	3
	L03D	1
	L03B	1

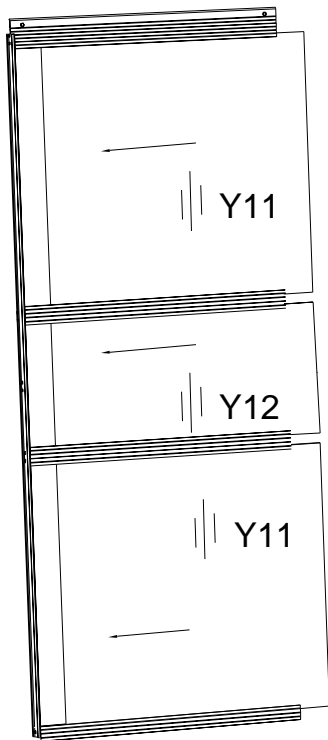


PART	NO.	Qty.
	L15	1
	L16B	3
	L18A	2

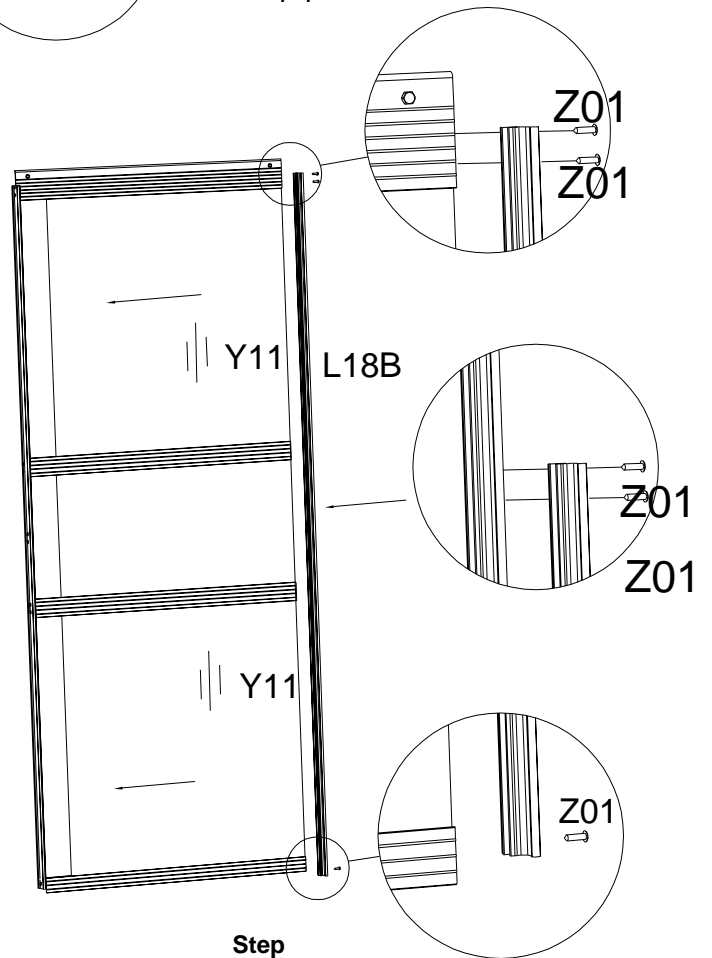
P2 Door Frame Assembly



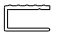
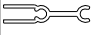
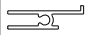
Step 1-1



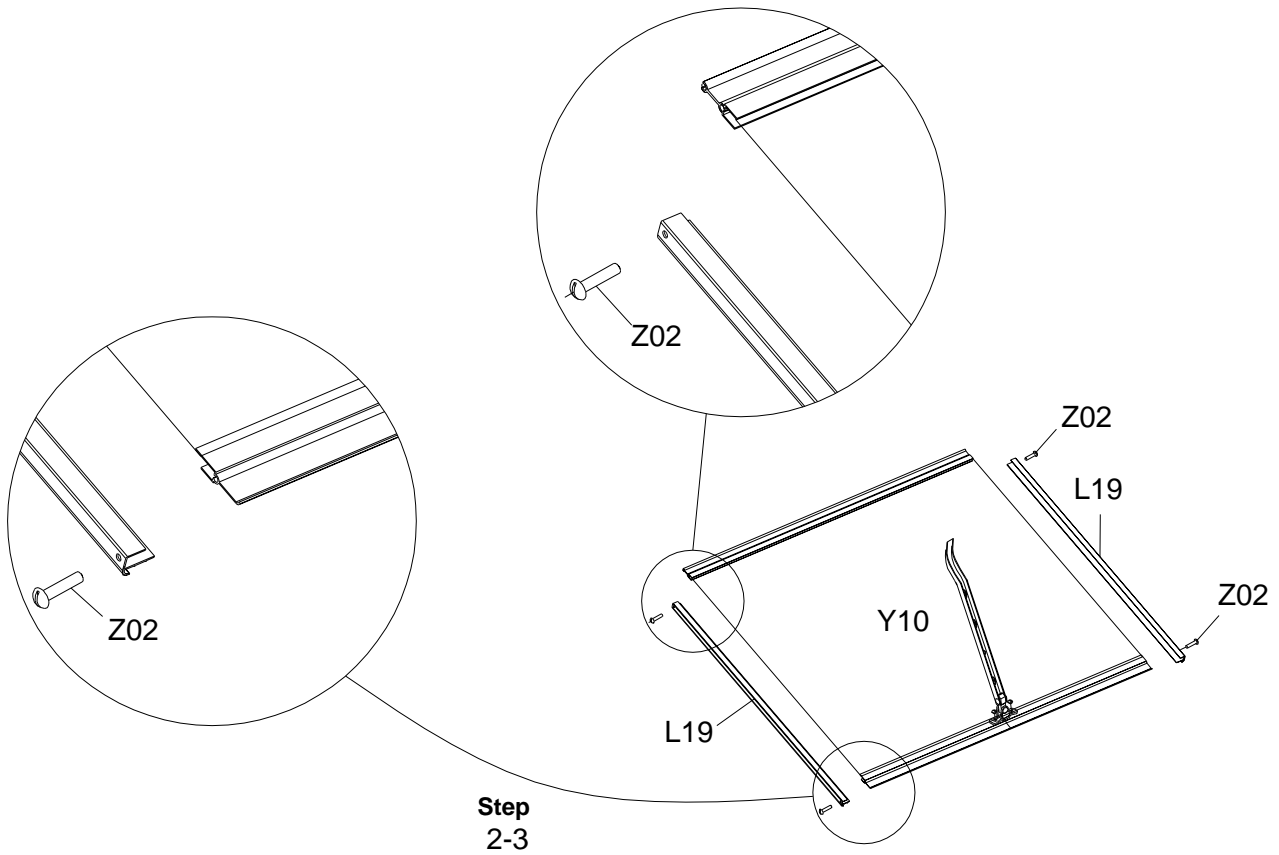
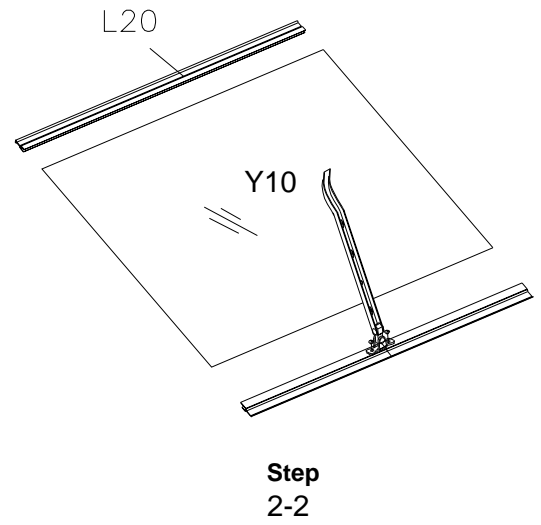
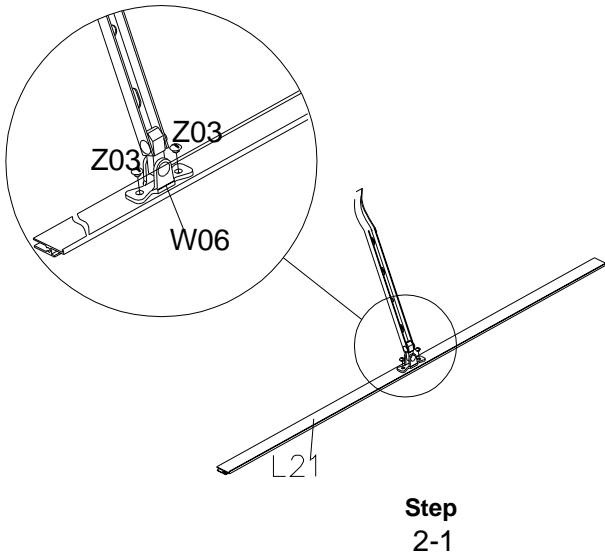
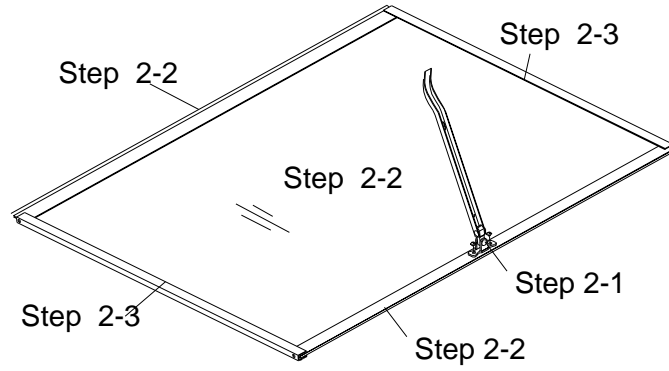
Step 1-2


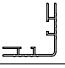
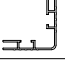
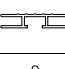






Step 1-3

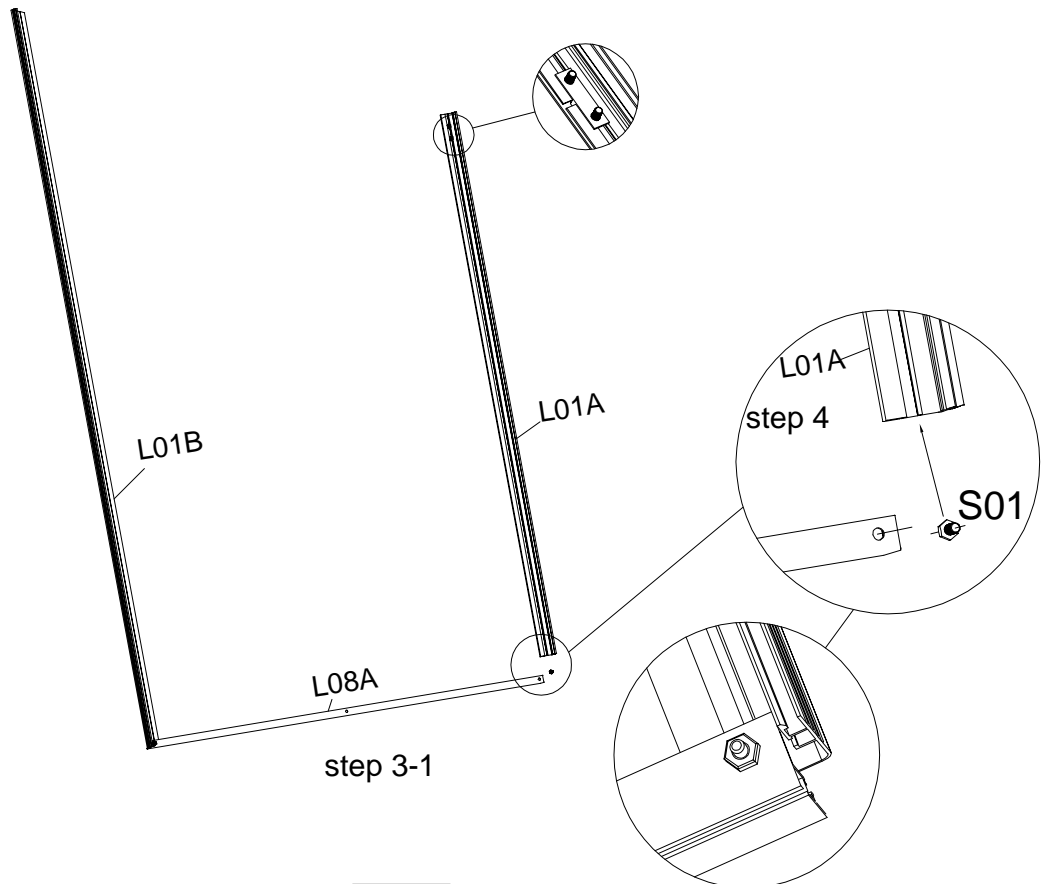
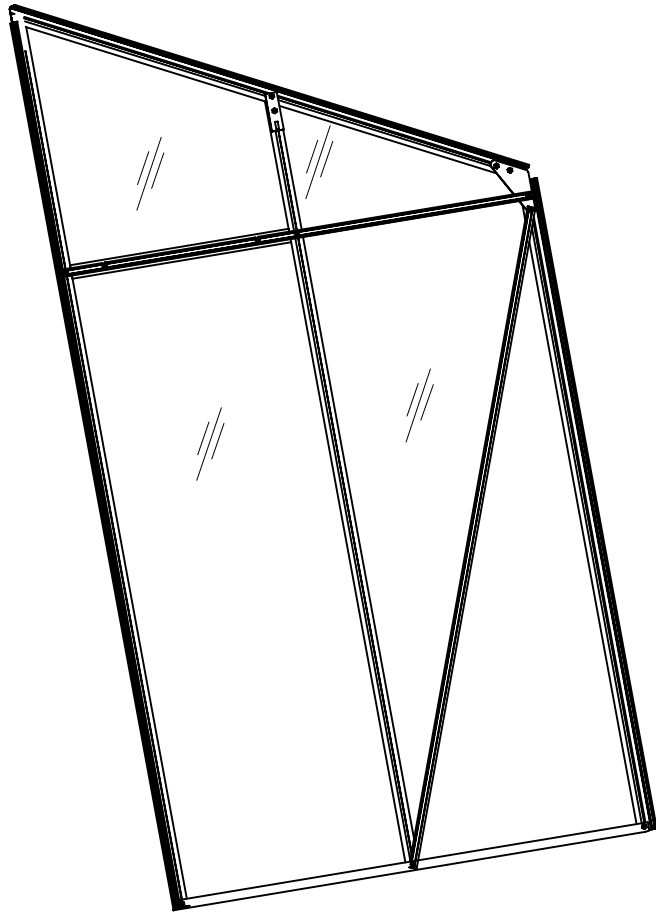
PART	NO.	Qty.
	L19	2
	L20	1
	L21	1

P3 Window Frame Assembly

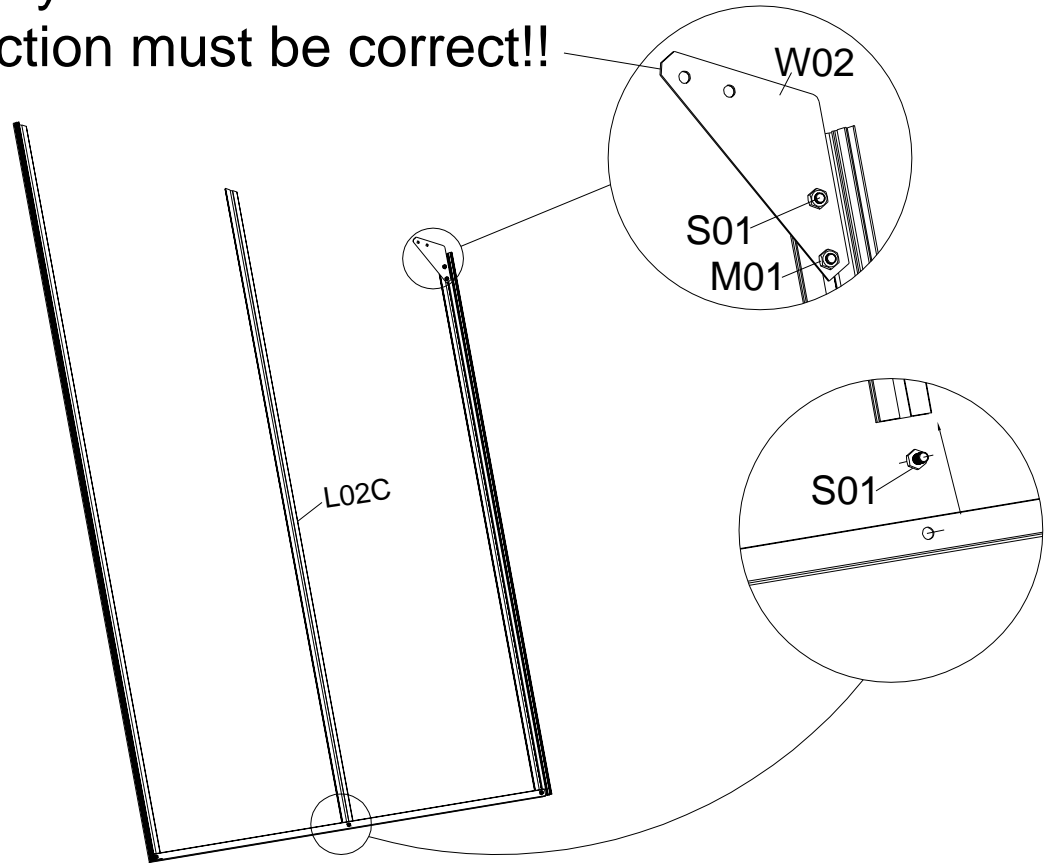


PART	NO.	Qty.
	L01A	1
	L01B	1
	L01C	1
	L03B	2
	L02C	1
	L05E	1
	L05A	1
	L08A	1

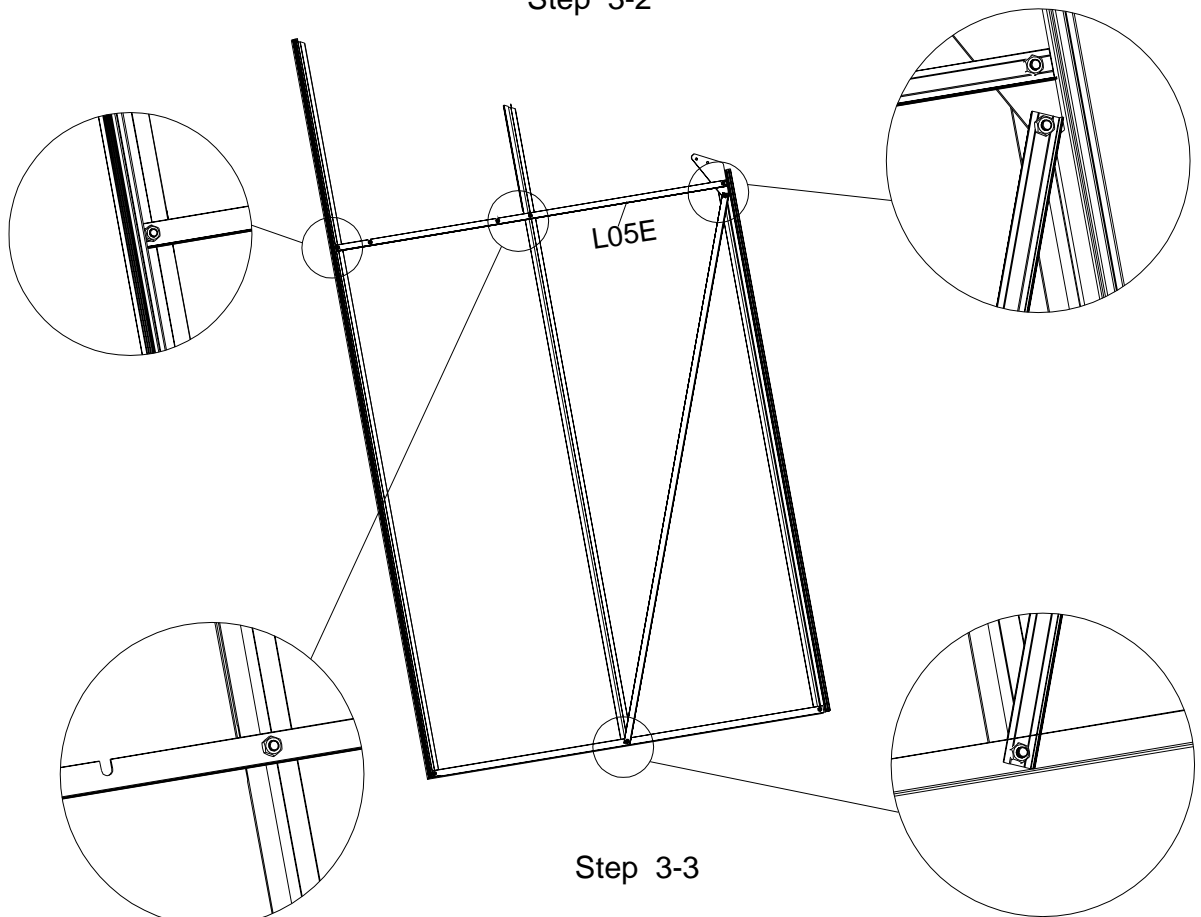
(P4~P7) Rear Frame Assembly



Please pay attention to the cut corner.  
The direction must be correct!!

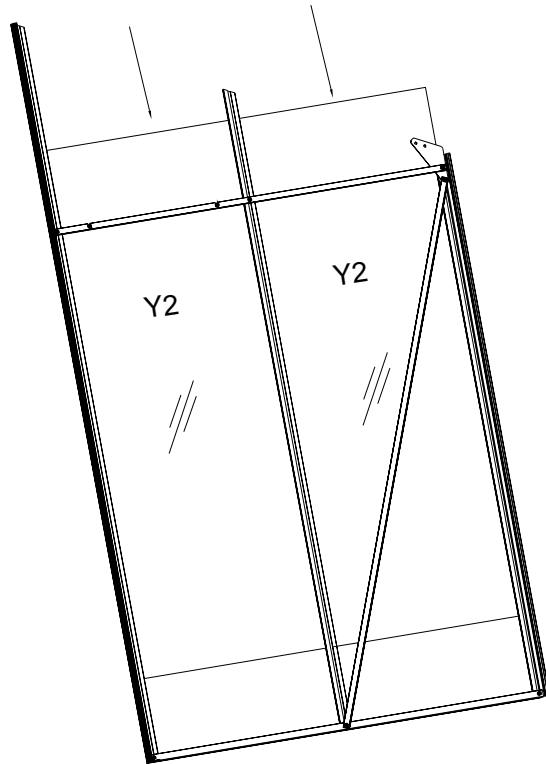


Step 3-2

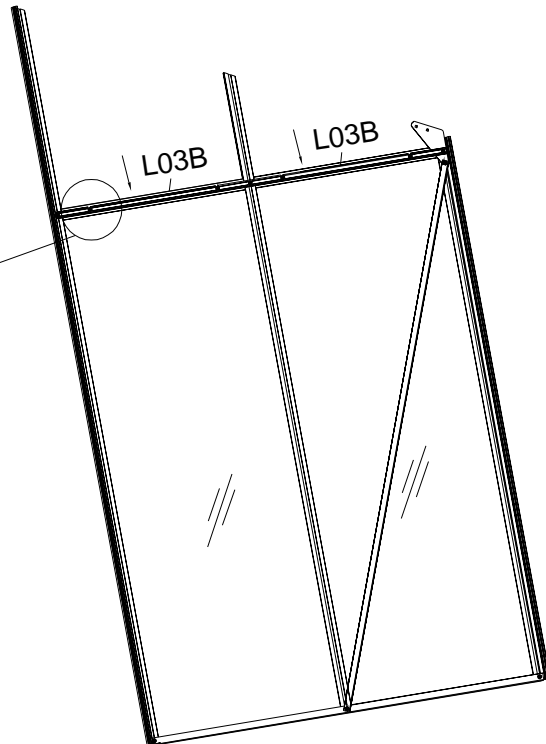
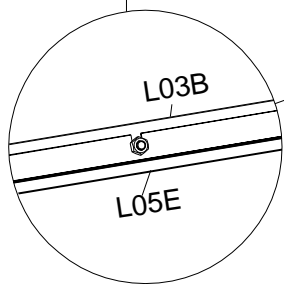
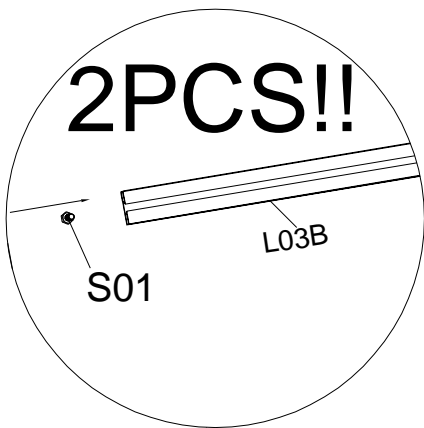


Step 3-3

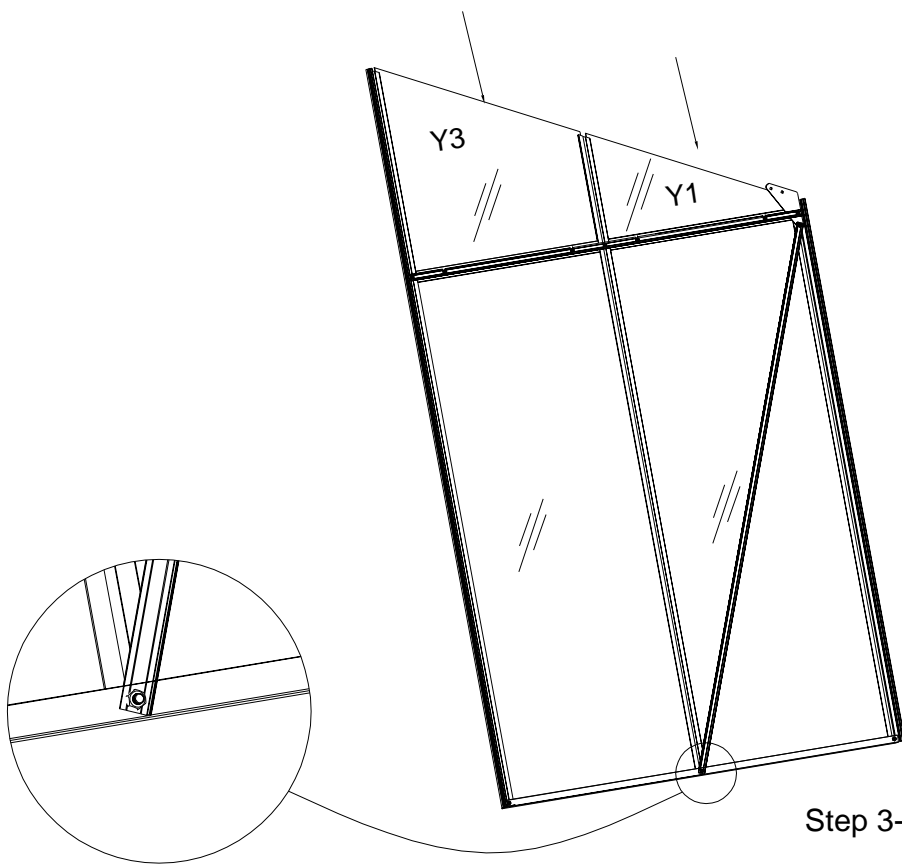




Step 3-4

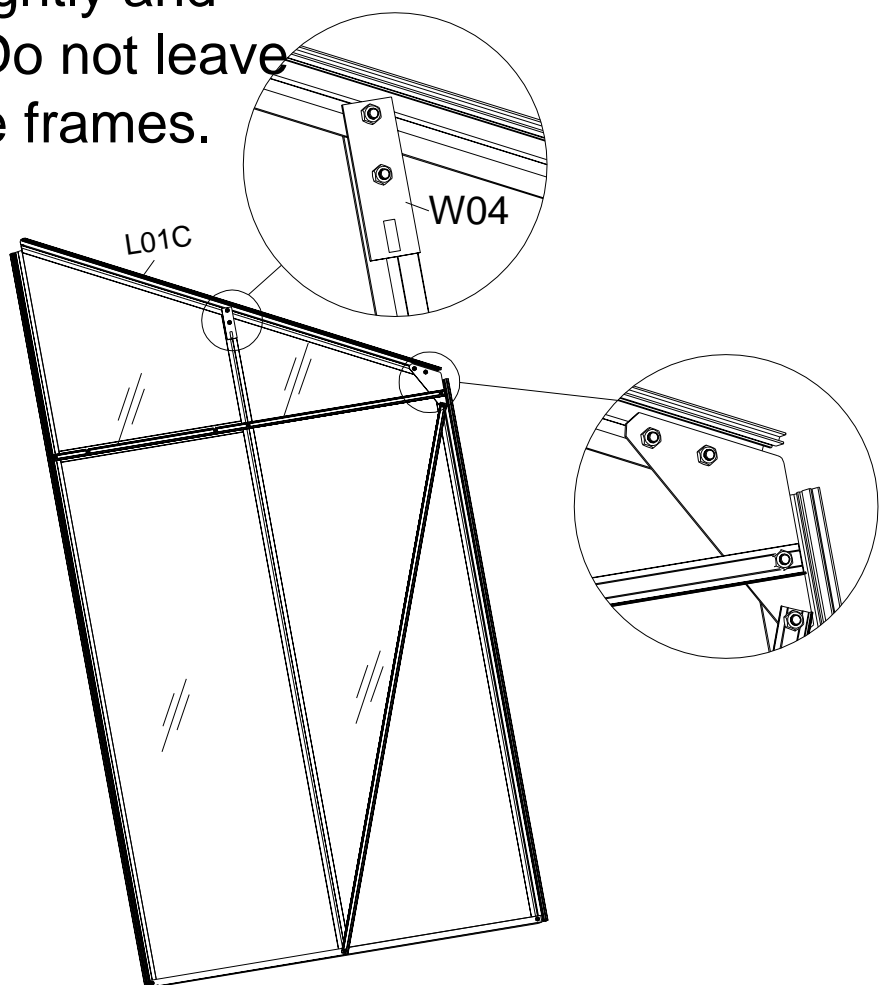


Step 3-5



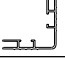


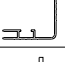


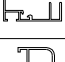



Step 3-6

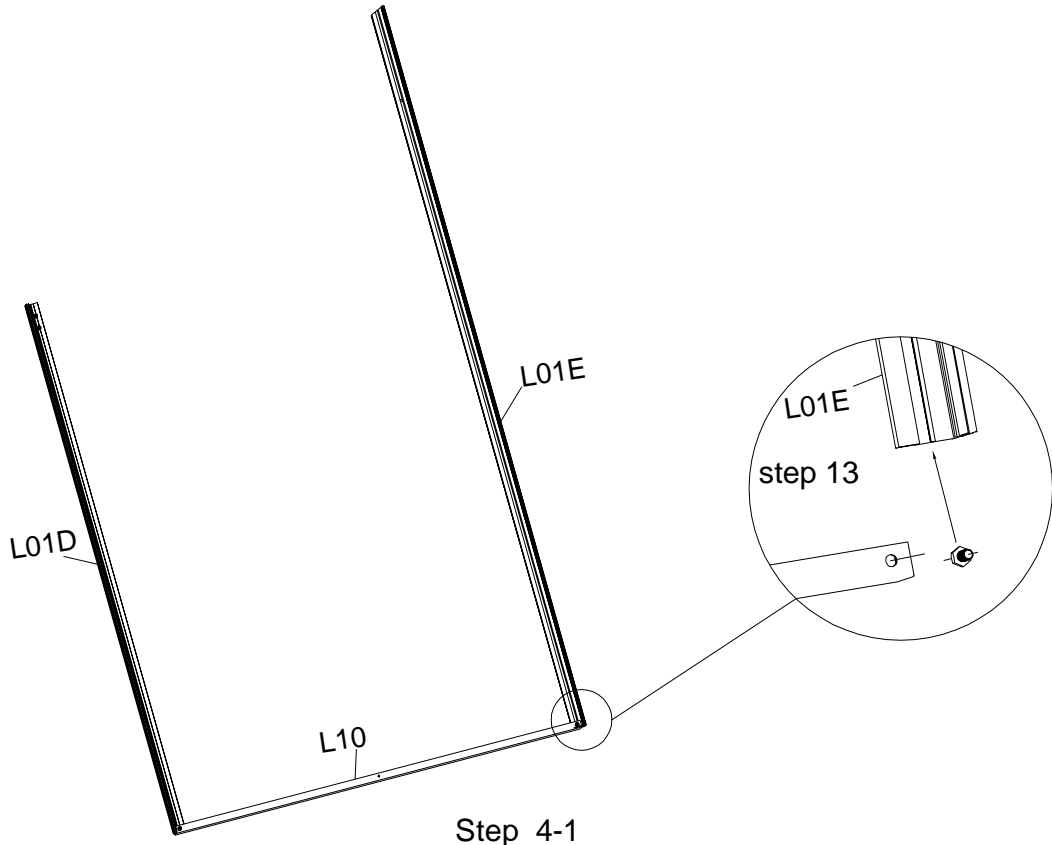
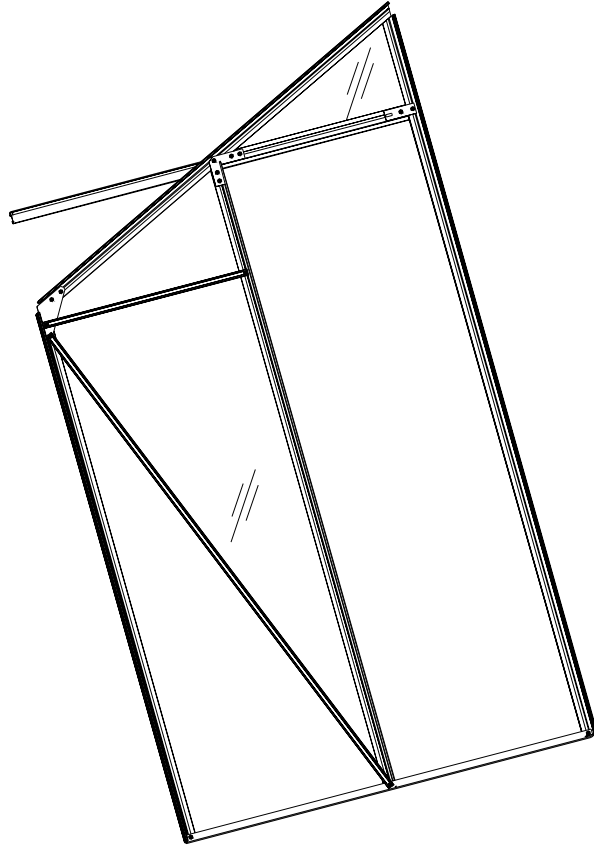
Frames must be put tightly and correctly using W04. Do not leave big space between the frames.



Step 3-7

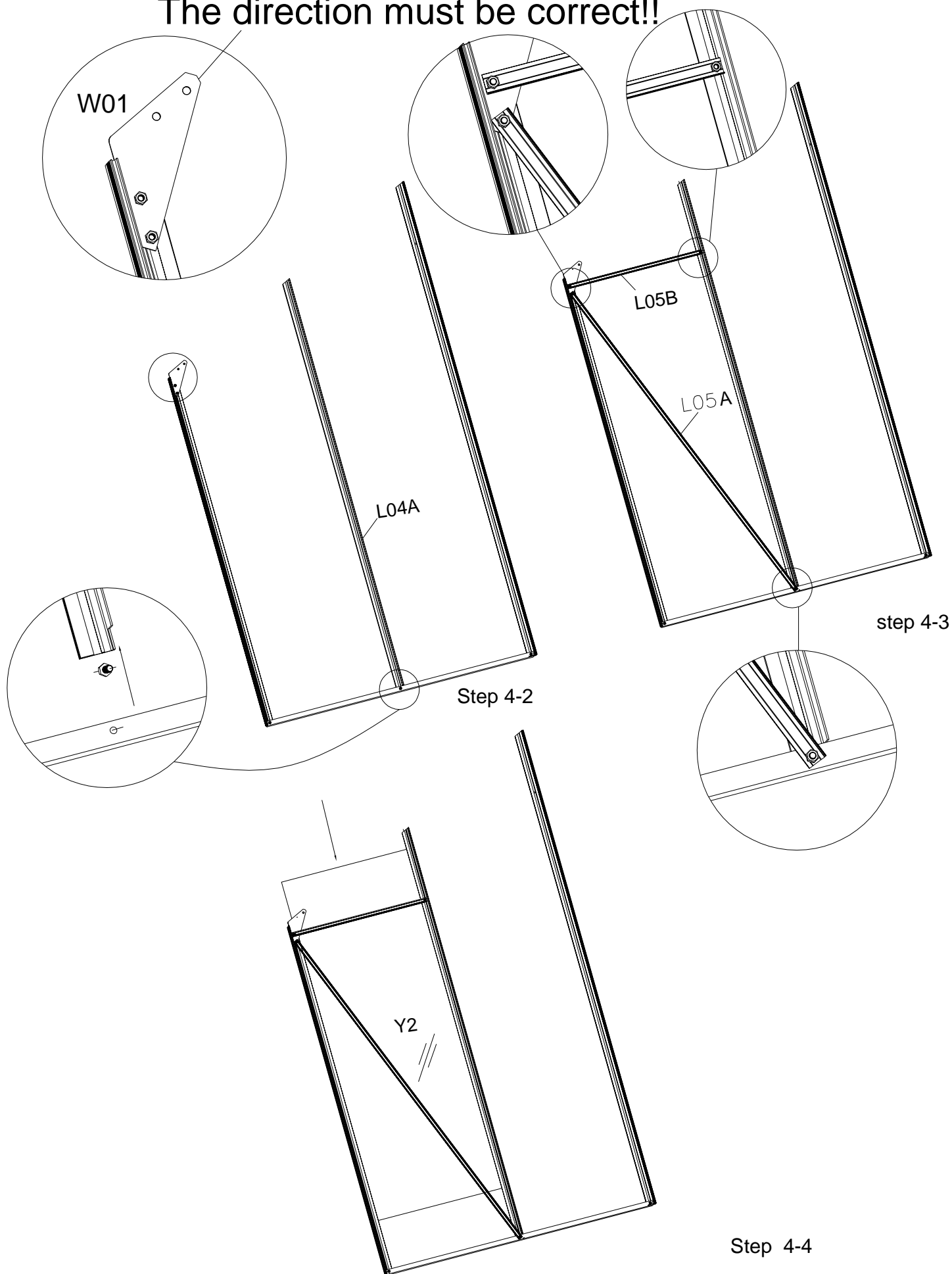
PART NO.	Qty.
 L01D	1
 L01E	1
 L01F	1
 L03A	1
 L03B	1
 L04A	1
 L05A	1
 L05B	1
 L10	1
 L14	1

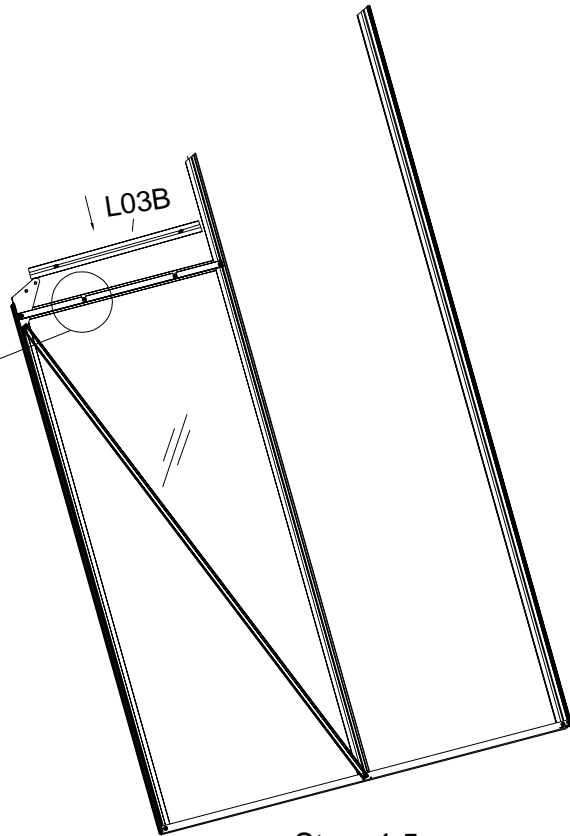
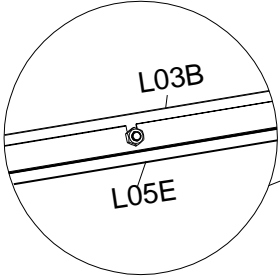
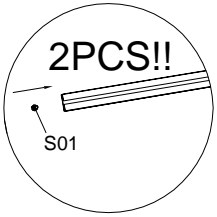
(P8~P11) Assembly



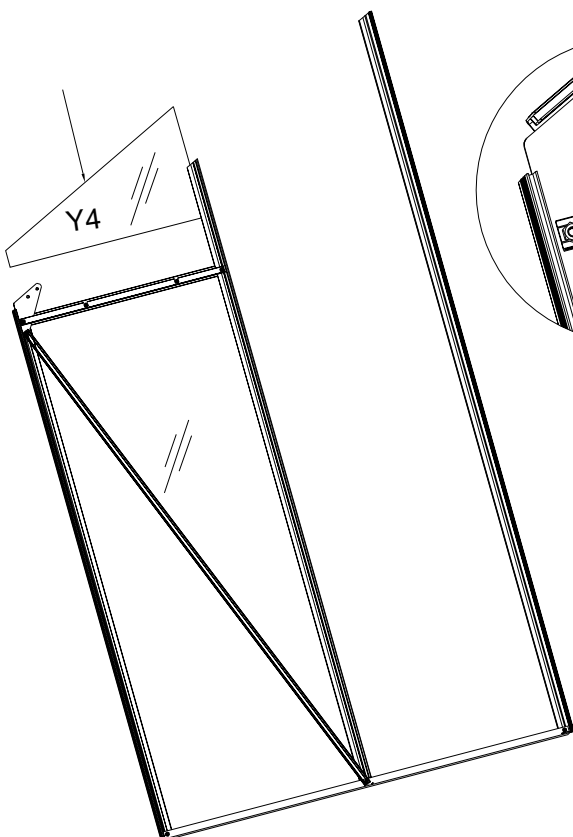
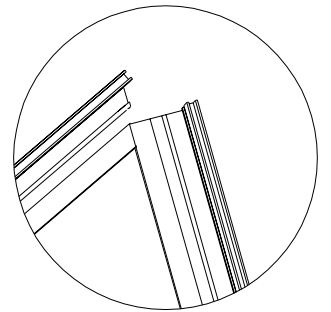
Step 4-1

Please pay attention to the cut corner.  
The direction must be correct!!

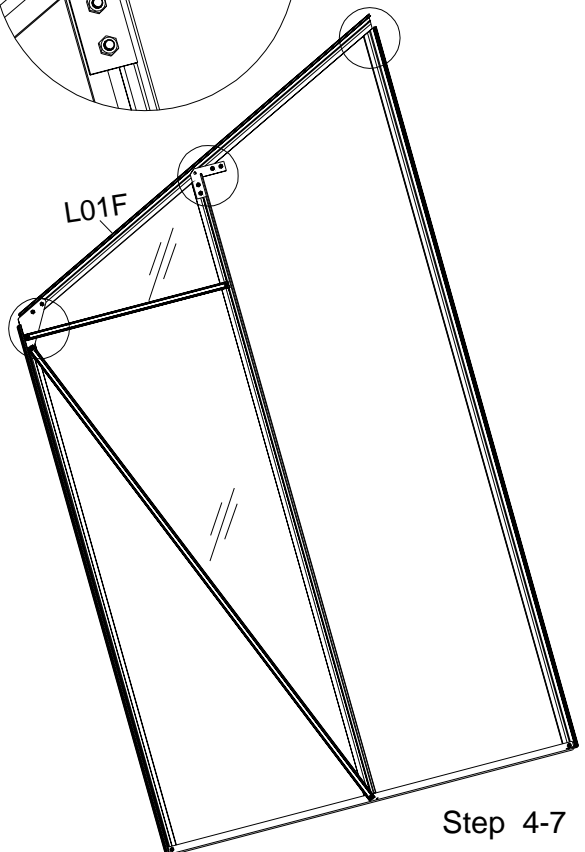
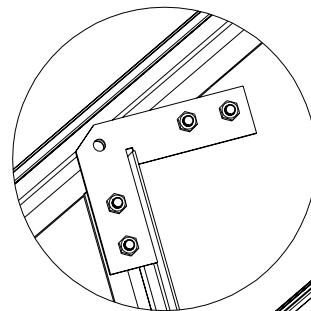
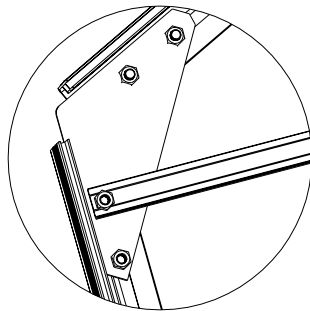




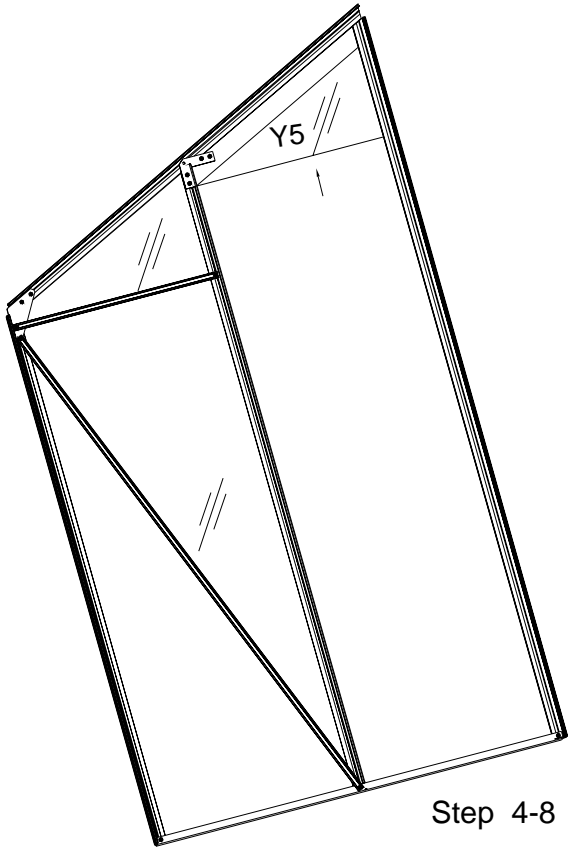
Step 4-5



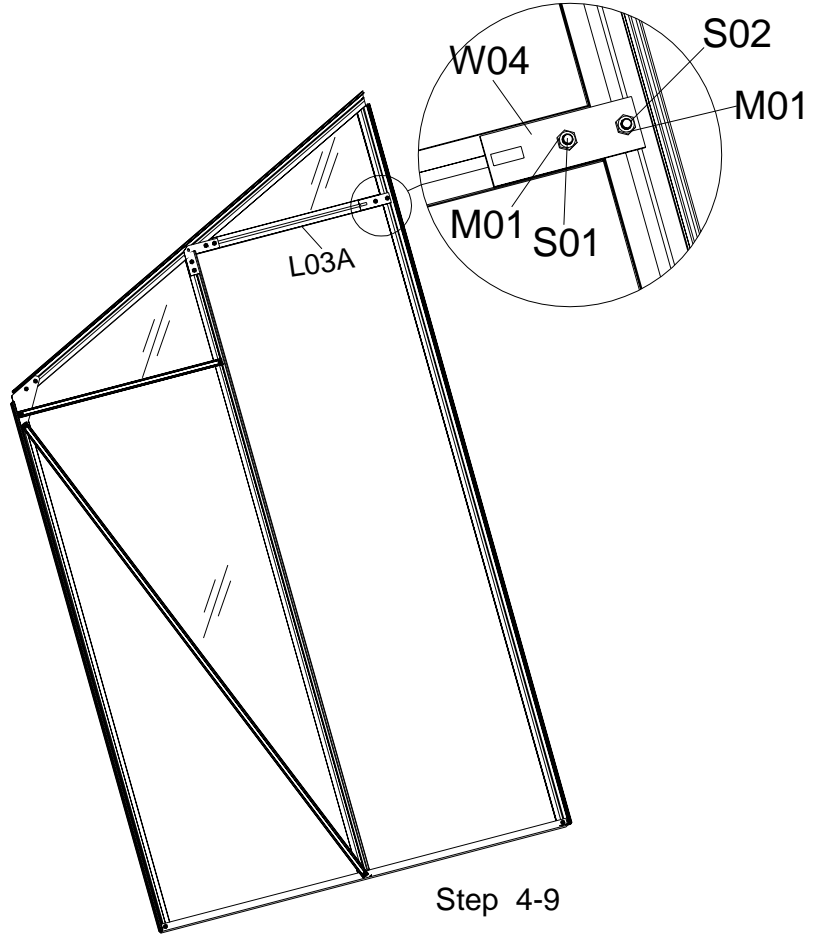
Step 4-6



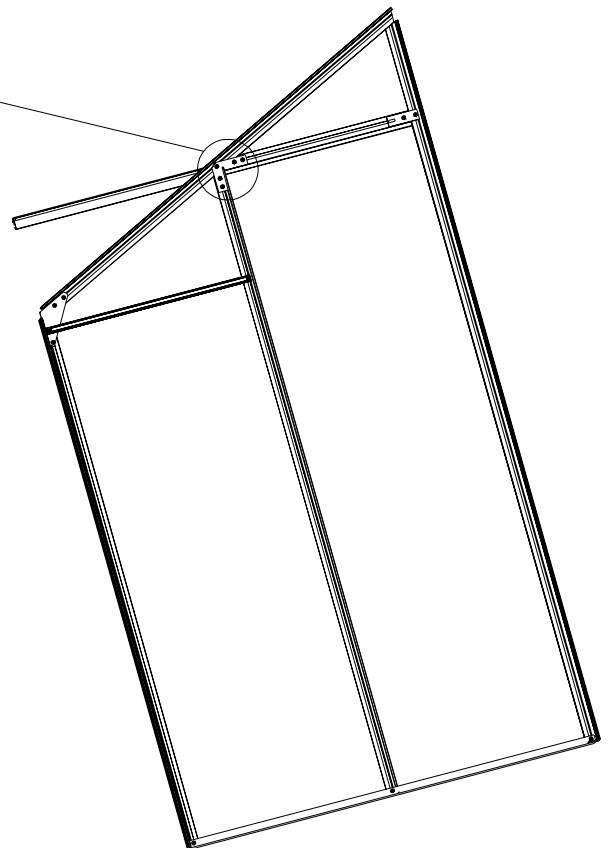
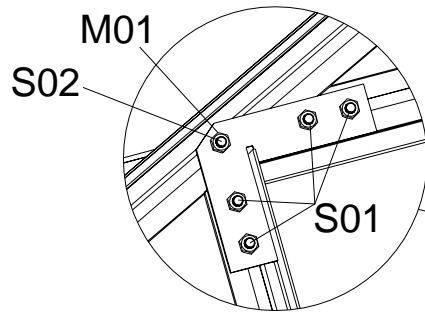
Step 4-7



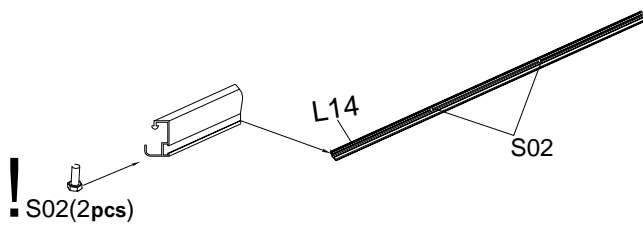
Step 4-8





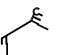



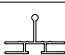
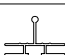
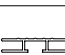
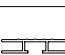
Step 4-9



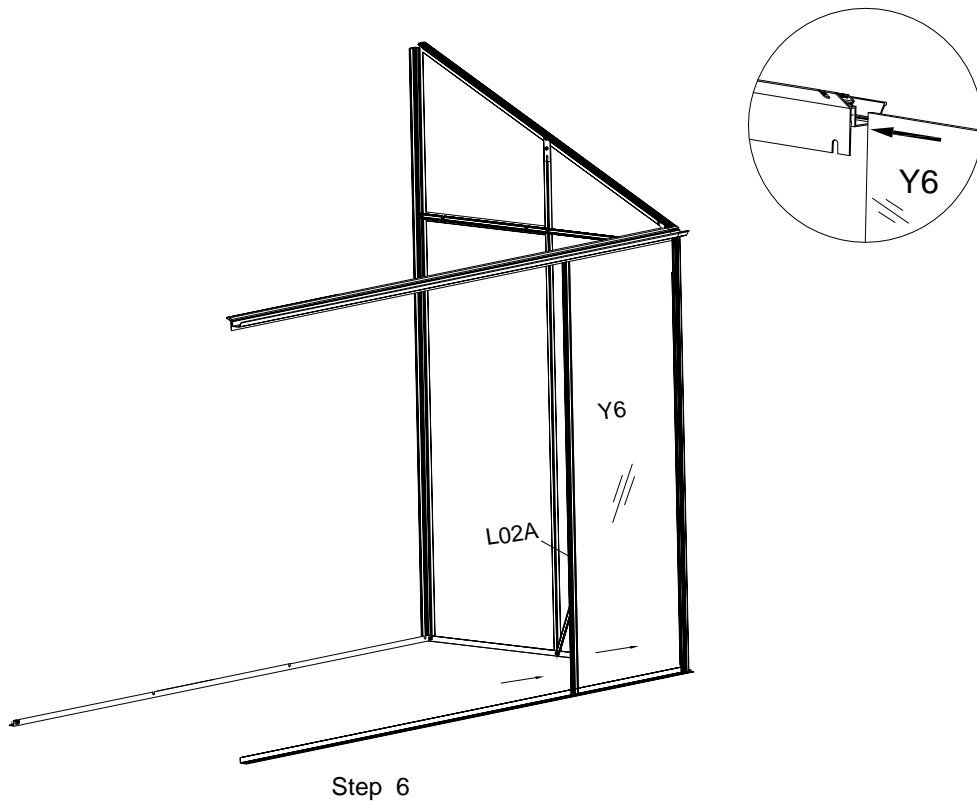
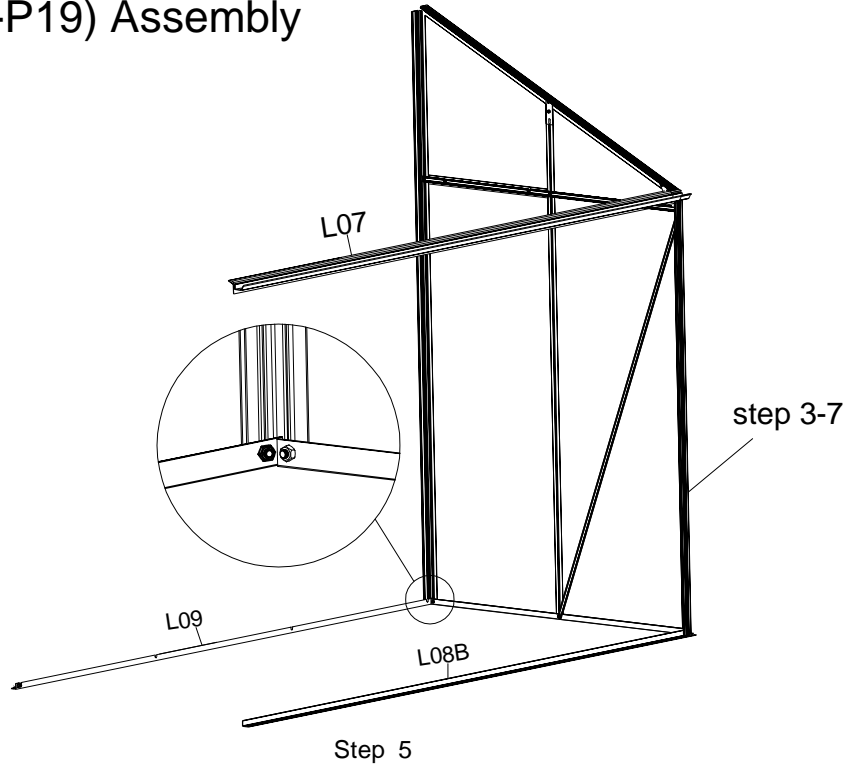
Step 4-11

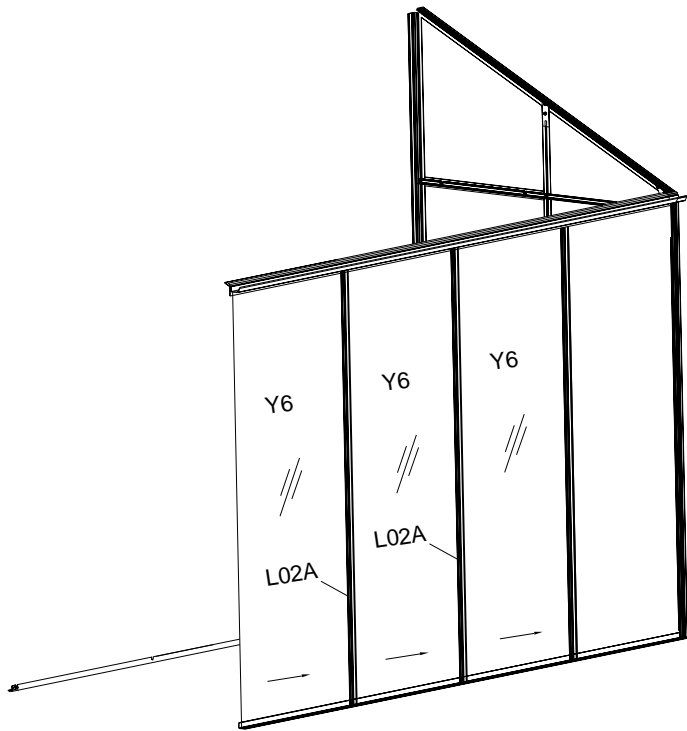


Step 4-10

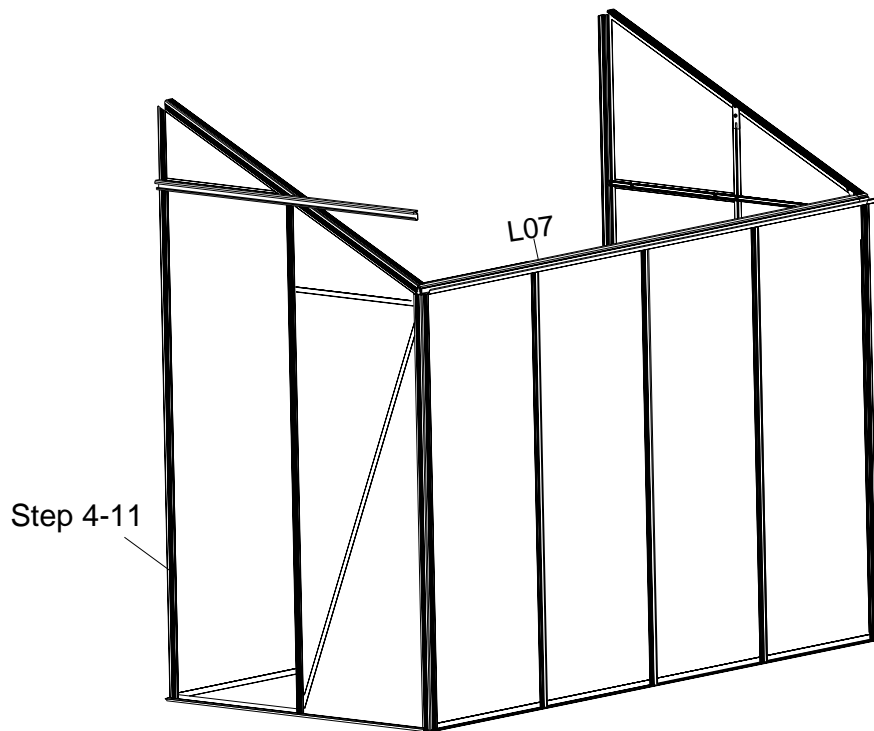
PART	NO.	Qty.
	L08B	1
	L07	1
	L06	1
	L09	1
	L05C	2
	L05D	2
	L02A	3
	L02B	3
	L03D	1
	L03B	1

(P12-P19) Assembly





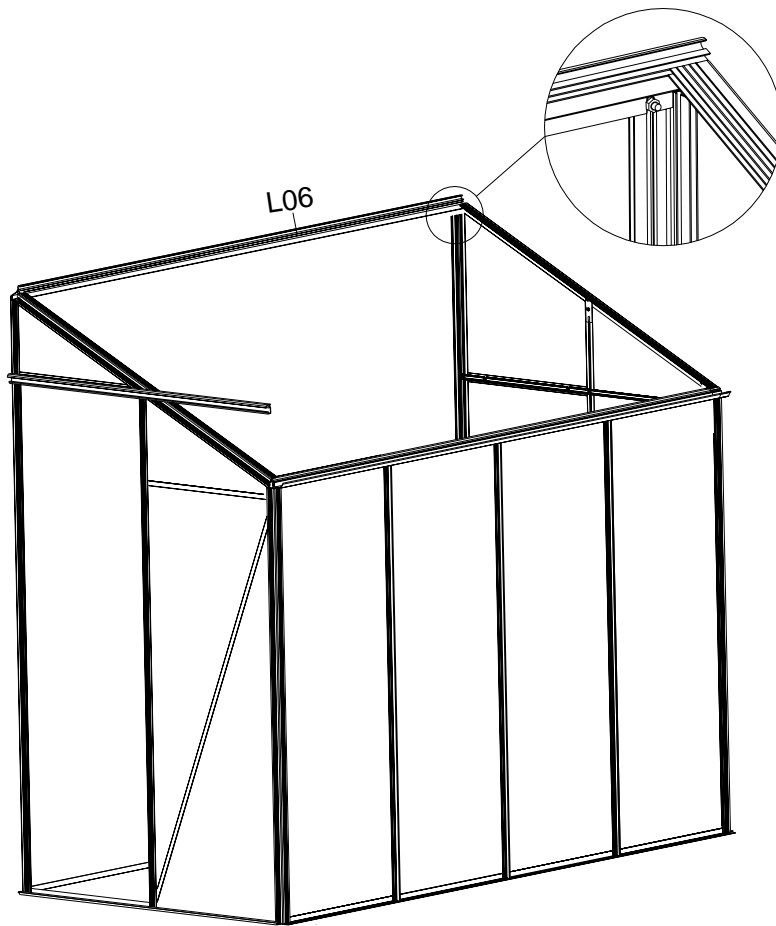
Step 7



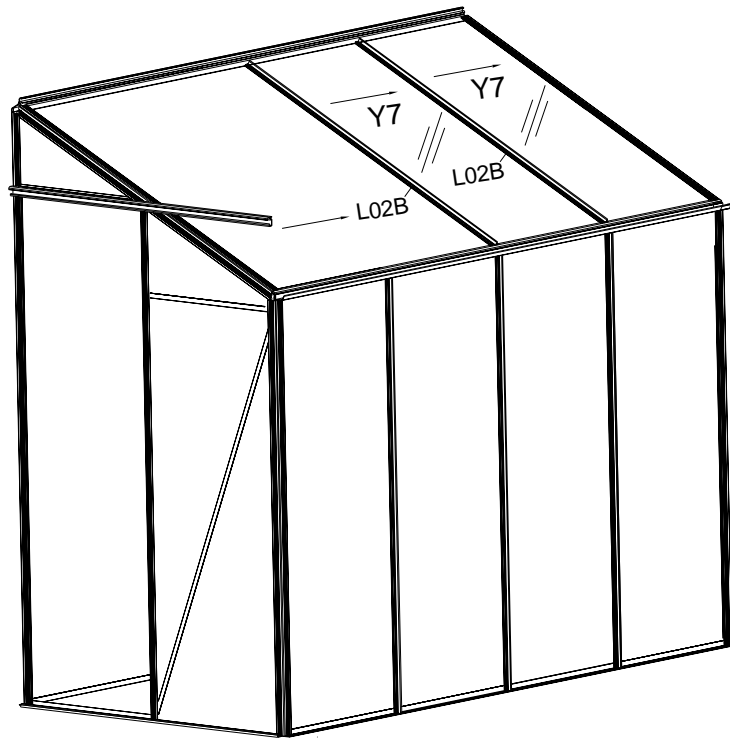
Step 4-11

Step 8

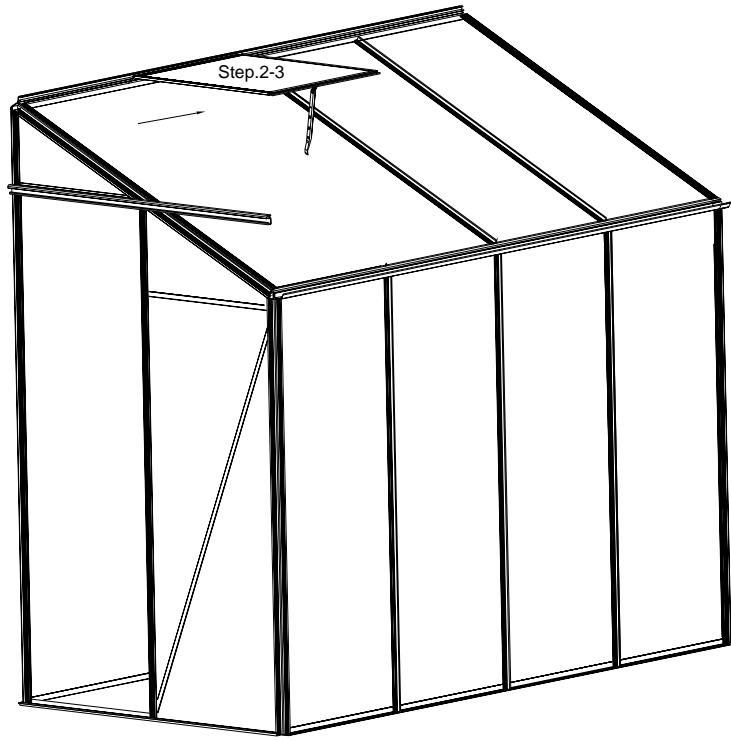




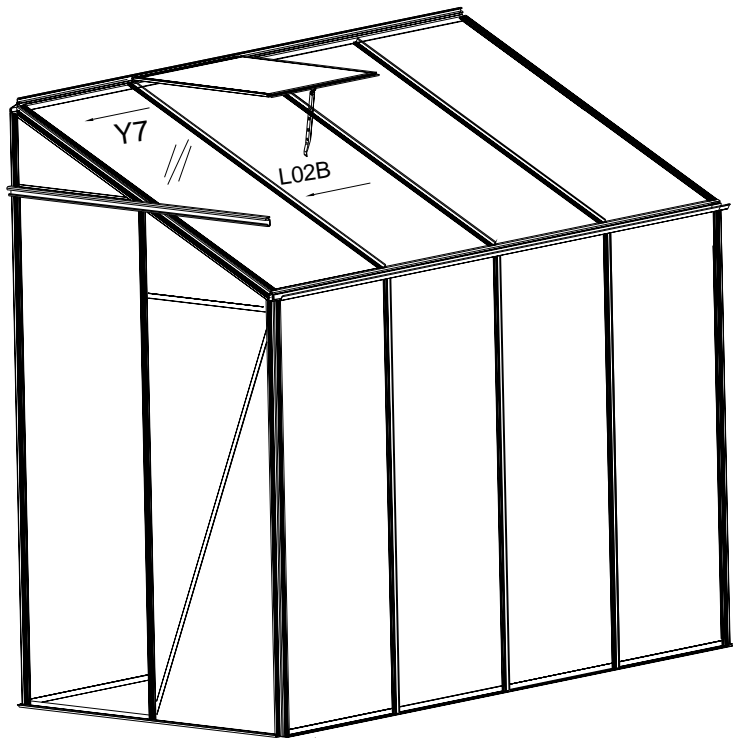
Step 9



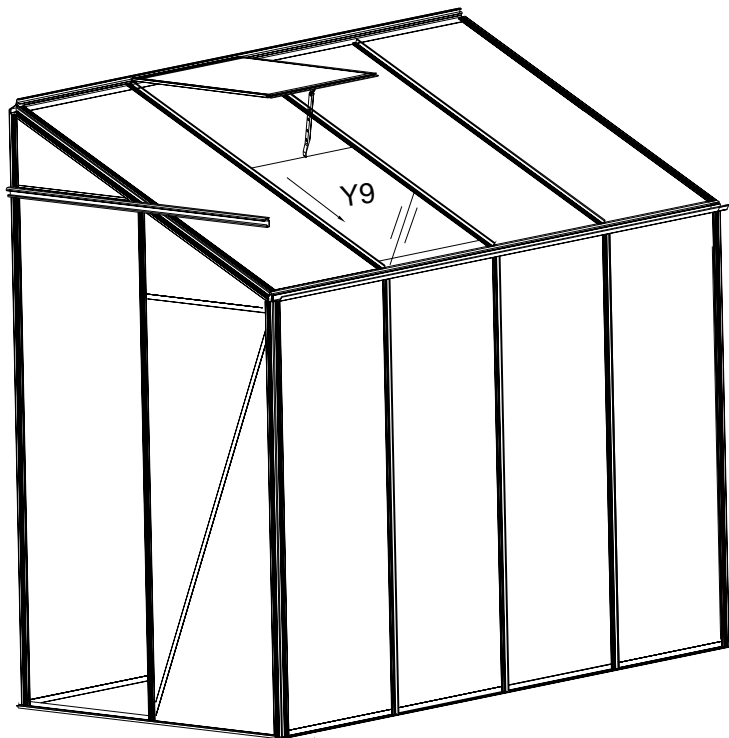
Step 10



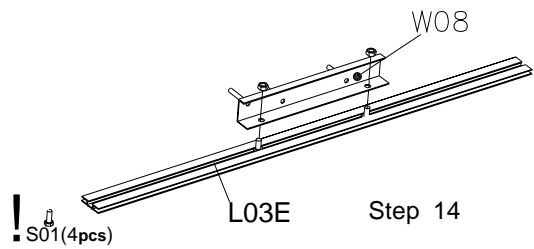
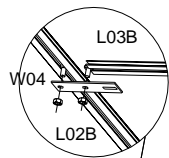
Step 11



Step 12

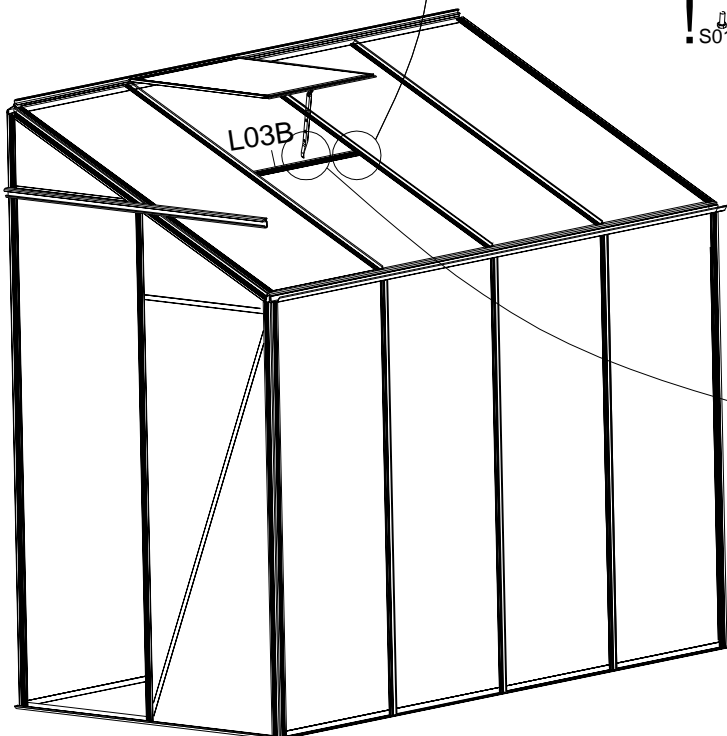


Step 13

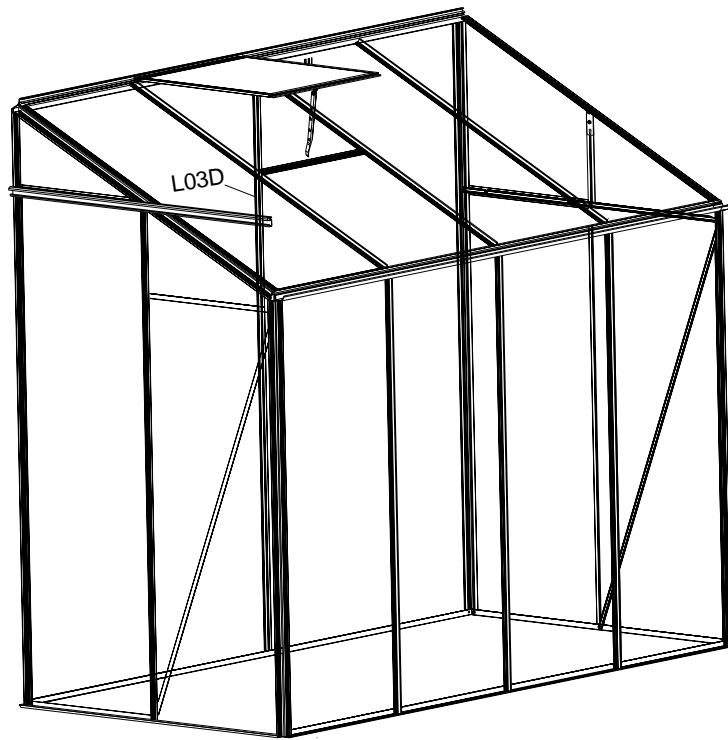


Step 14

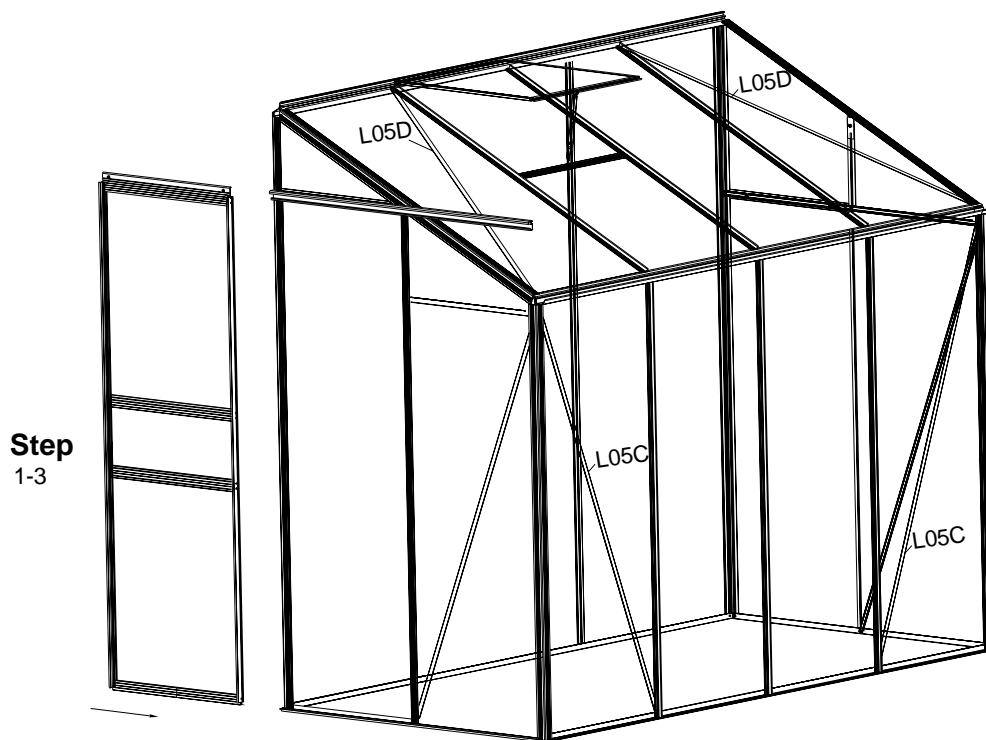
**Do not forget to  
put 4pcs S01  
into L03B!!**



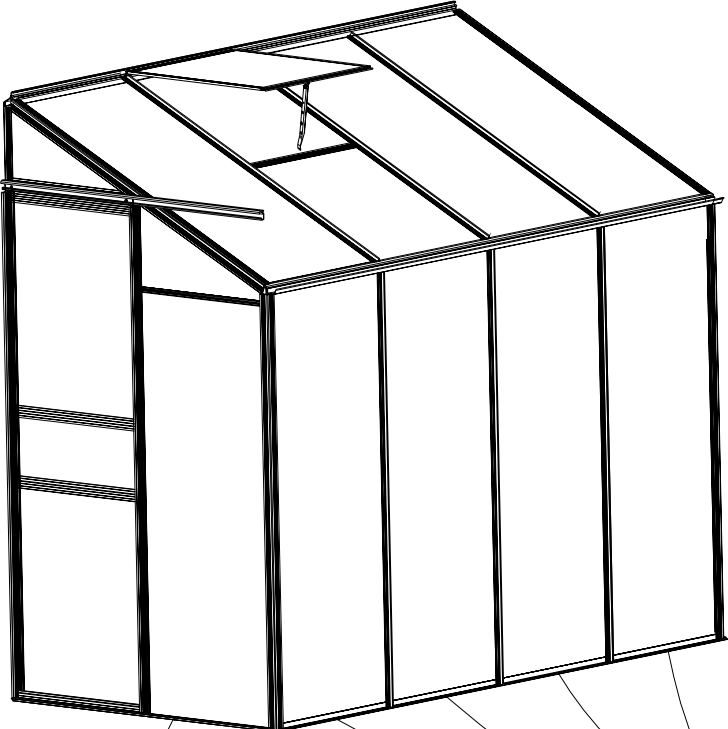
Step 15



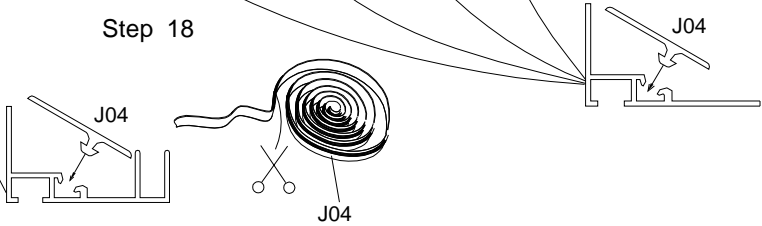
Step 16



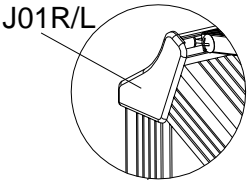
Step 17



Step 18

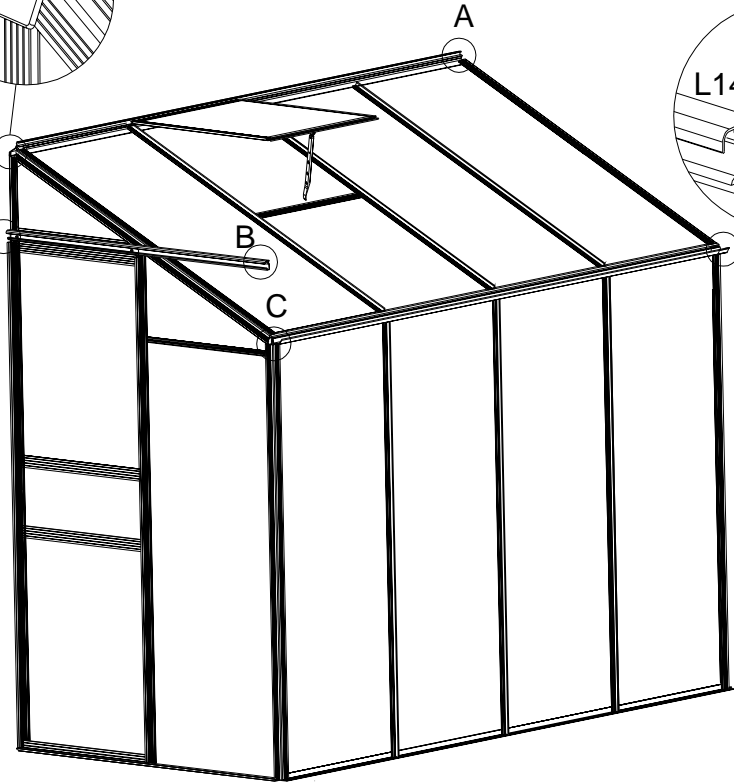


A

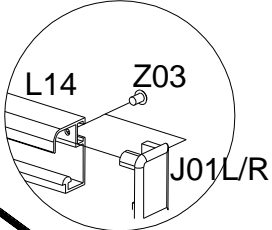


A

B

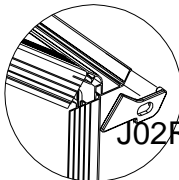


B



C

C



Step 19