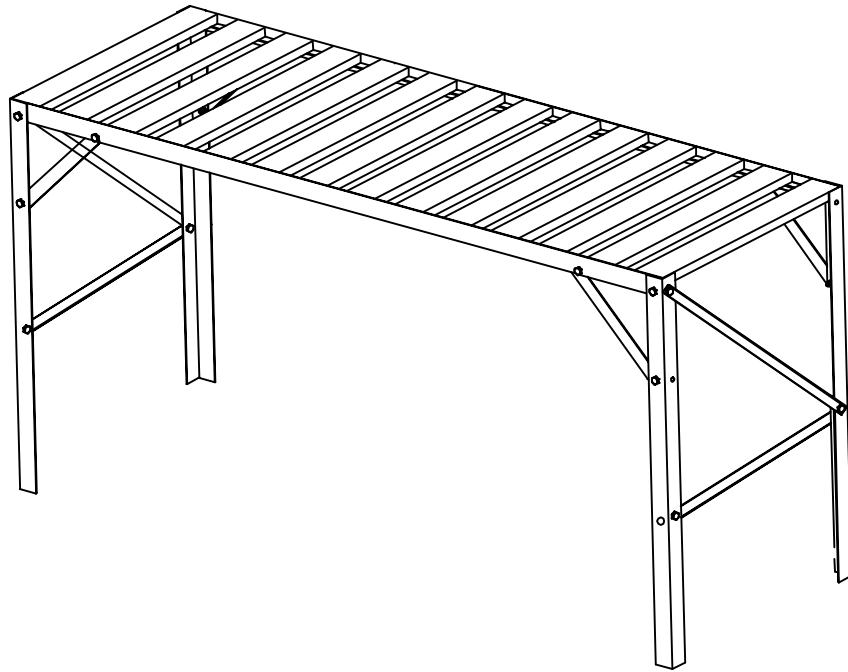




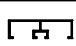






# Tier 50" alum. Shelf

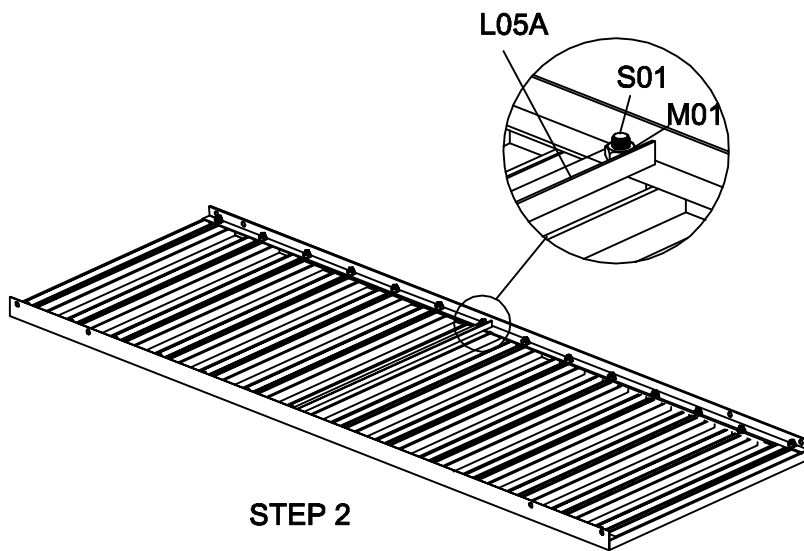
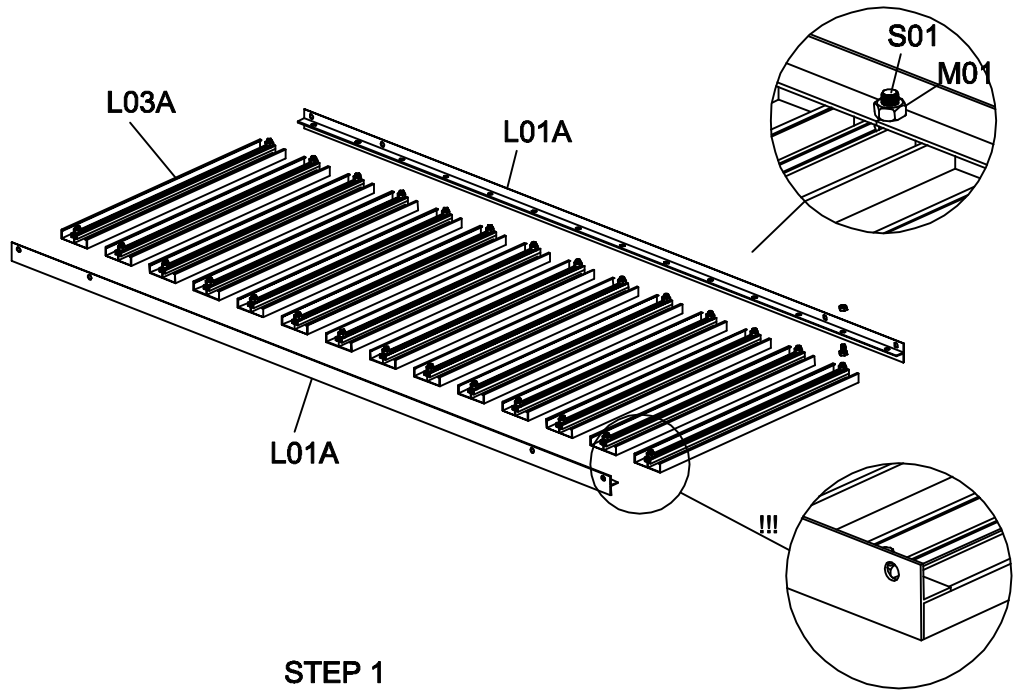
## Assembly instruction

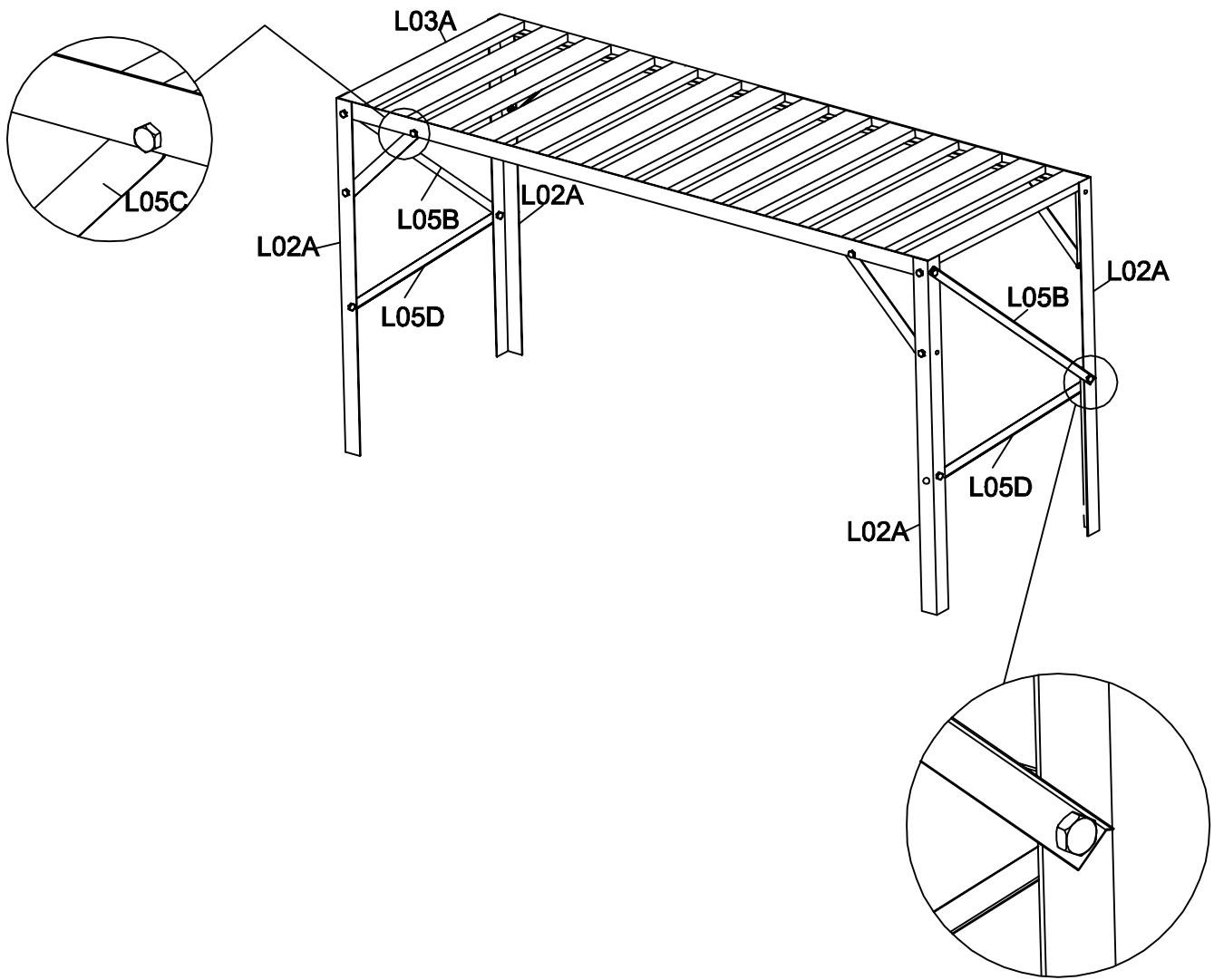


PRODUCT SIZE (LxWxH): 50" x 20" x30"

PLEASE READ CAREFULLY BEFORE ASSEMBLY

Part No.	Part	QTY.
L01A		2
L02A		4
L03A		14
L05A		1
L05B		2
L05C		4
L05D		2
S01		46
M01		46





STEP 3